



WEVER & DUCRÉ
LIGHTING

DRO TABLE 2.0

6432C0WB0

Project

Type

Notes

Quantity

Date

GENERAL

Table , Standing

Black Matt + White Opal Glass

IP20

Interior

Output: 450 lm

CIE flux code: 26 51 76 60 100

LED

Lamp C35

Socket E14

max. per socket 6.0 W

2700 K

CRI \geq 90

OPTICAL

UGR < 19

\geq 1500 cd/m²

ELECTRICAL

220 - 240 V

LED Inset 5.5 W

Class 2

PHYSICAL

Diameter 200 mm

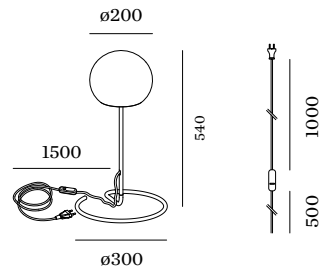
Height 540 mm

2.7 kg

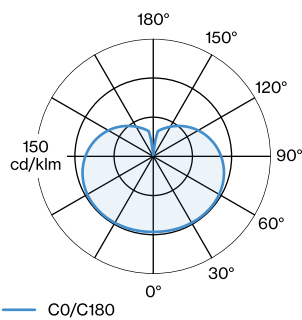
cable plug with dimmer



Table luminaire; italian hand blown white opal glass; mounting made from aluminium in Black Matt; powder coated; matt texture; black textile cable plug with dimmer; lamp socket E14; lamp type C35; max. 6W; 220 - 240 V; degree of protection IP20; PC2; lamp not included;



LIGHT DISTRIBUTION





WEVER & DUCRÉ
LIGHTING

DRO TABLE 2.0

6432C0WB0

LAMPS

C35 LED Lamp

TYPE	Ø · H (MM)	ORDERCODE
2700K E14	ø37 · 100	9 0 0 3 C 1 0 3



WEVER & DUCRÉ
LIGHTING

DRO TABLE 3.0

6433E0WB0

Project

Type

Notes

Quantity

Date

GENERAL

Table , Standing

Black Matt + White Opal Glass

IP20

Interior

Output: 800 lm

CIE flux code: 26 51 76 60 100

LED

Lamp A60

Socket E27

4.0 - 12.0 W

2700 K

CRI \geq 90

OPTICAL

UGR < 16

\geq 1500 cd/m²

ELECTRICAL

220 - 240 V

LED Inset 9.0 W

Class 2

PHYSICAL

Diameter 300 mm

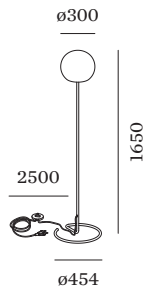
Height 625 mm

3.8 kg

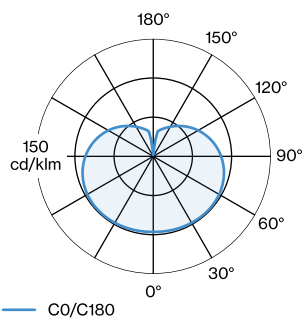
cable plug with dimmer



Table luminaire; italian hand blown white opal glass; mounting made from aluminium in Black Matt; powder coated; matt texture; black textile cable plug with dimmer; lamp socket E27; lamp type A60; max. 12W; 220 - 240 V; degree of protection IP20; PC2; lamp not included;



LIGHT DISTRIBUTION





WEVER & DUCRÉ
LIGHTING

DRO TABLE 3.0

6433E0WB0

LAMPS

A60 LED Lamp

TYPE	Ø · H (MM)	ORDERCODE
2700K E27	∅60 · 110	9 0 0 3 E 1 5 2