

LUXURY\_ LIGHT AND DESIGN 2021



## VIVIDA INTERNATIONAL

propone ai propri clienti una collezione di prodotti di illuminazione caratterizzati da forme pure ed un'estetica minimale abbinati alle più moderne tecnologie a LED integrato. Lampade in grado di decorare senza disturbare, adattabili agli svariati contesti ed alle molteplici esigenze del vivere contemporaneo. Una risposta sempre pronta alle differenti necessità progettuali del privato come del professionista. L'utilizzo di materiali e componentistica di qualità fa dei prodotti Vivida International una garanzia di qualità e di durata nel tempo.

## VIVIDA INTERNATIONAL

*offers its customers a collection of lighting products, characterised by pure forms and a minimal aesthetic, combined with the most advanced integrated LED technology. Lights capable of decorating without disturbing, adaptable to various contexts and the multiple requirements of contemporary living. An ever-ready solution to the different design requirements of private customers and professionals alike. Use of high-quality materials and components guarantees the quality and duration of Vivida International products.*

AXELLA  
220  
263



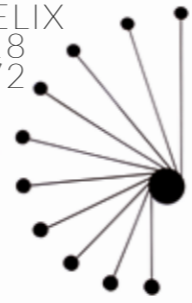
CIRCUIT  
158  
258



FLAT  
200  
241



HELIX  
118  
272



LEMSTATION  
96  
285



MAZE  
192  
251



SEVENTY  
44  
289



SPY  
232  
245



BAG  
22  
276



CLOVER  
162  
258



FOIL  
230  
253



HOLLYAUDREY  
54  
288



LENS  
166  
280



MYSTERY  
112  
281



SHALLOW  
32  
277



SQUARE  
194  
250



BETU  
224  
279



COSMIT  
56  
291



FREEDOM  
8  
279



HURRICANE  
184  
238



LIFERING  
70  
292



NEBULA  
88  
287



SHANG  
144  
252



STICK  
136  
273



BLOCK  
226  
261



CUBE  
228  
245



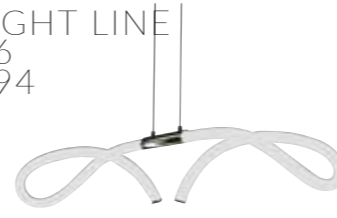
FUNAMBULIST  
12  
280



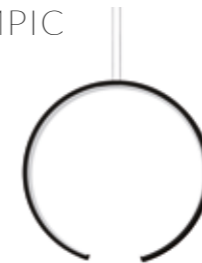
INNER R  
62  
268



LIGHT LINE  
76  
294



OLYMPIC  
122  
284



SKY FALL  
208  
248



TIPI  
140  
271



BOW  
128  
266



CURLS  
164  
261



GALILEO  
152  
274



INNER S  
66  
269



LIL WAVE  
150  
265



PUP  
234  
254



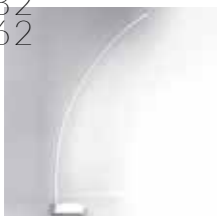
SKY FALL LENS  
210  
248



TWIST  
16  
275



BRACKET  
182  
262



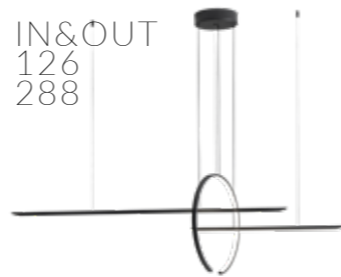
CYBER  
206  
246



HALO  
214  
243



IN&OUT  
126  
288



LINE  
198  
244



RIBBON  
168  
256



SMASH  
216  
263



WAY  
196  
250



CIAK  
146  
273



FLAME  
174  
254



HASHTAG  
142  
271



KINGFORT  
104  
293



MARYON  
48  
290



RINGS  
170  
260



SPIRAL  
172  
261





# FREEDOM FUNAMBULIST TWIST BAG SHALLOW SEVENTY MARYON HOLLYAUDREY COSMIT

# MATERIA

*La MATERIA si adegua alla forma e insieme arredano lo spazio offrendo luce e stile.*

*MATERIA - Light and style getting together to help you create the perfect atmosphere in every project.*

*MATERIA Свет и стиль соединяются вместе, создавая прекрасную атмосферу в каждом проекте.*

*La MATERIA se adapta a la forma y juntas amueblan el espacio ofreciendo luz y estilo.*

*MATERIA - Luz e estilo juntam-se para ajudar a criar a atmosfera perfeita em cada projeto.*

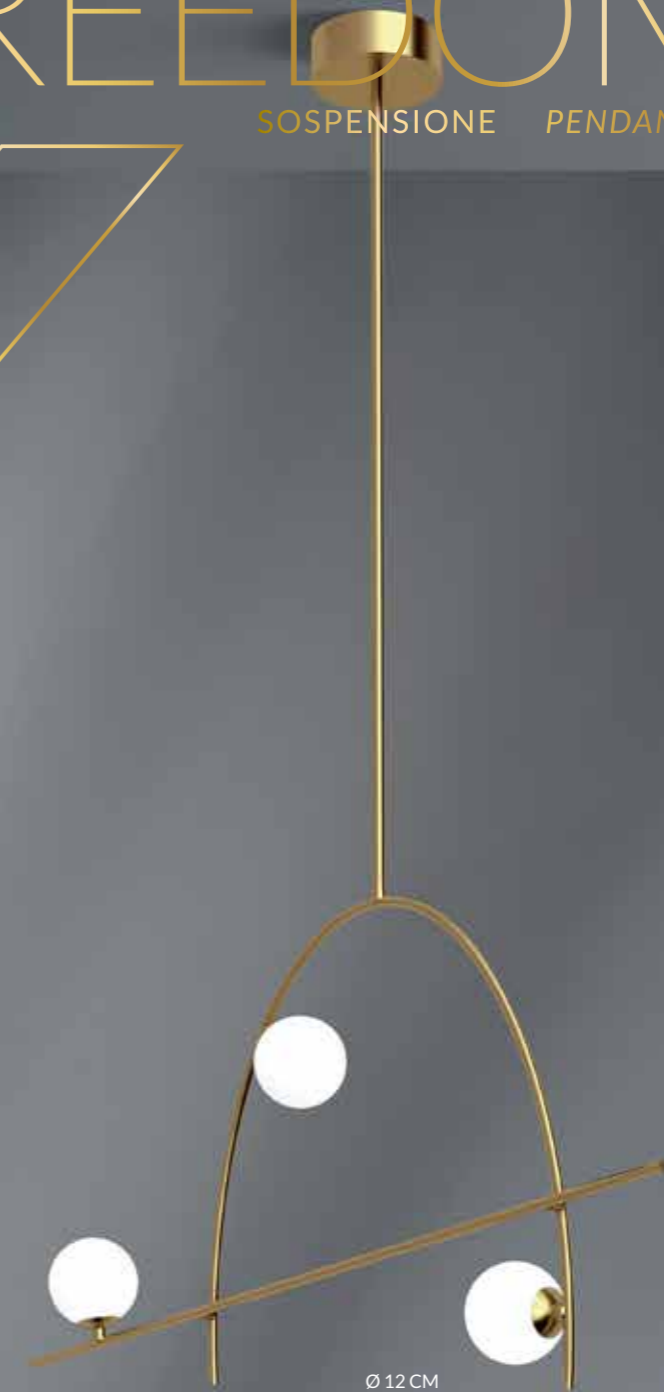
*La MATERIA s'adapte à la forme et ensemble elles décorent l'espace en offrant de lumière et de style.*

*Die MATERIA passt sich der Form an und zusammen richten sie den Raum ein und spenden Licht und Stil.*



# FREEDOM

SOSPENSIONE PENDANT LAMP

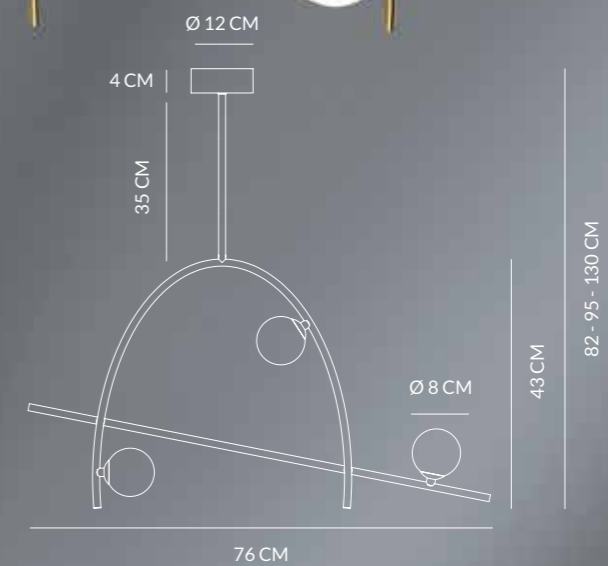


**0058.30**  
**ORO**  
**GOLD**

KELVIN  
COLOUR TEMPERATURE  
**3.000 K**

LUMEN  
**720 LM**

VATTAGGIO  
WATTAGE  
**3 x 6 W**





# FREEDOM

LAMPADA A PARETE WALL LAMP

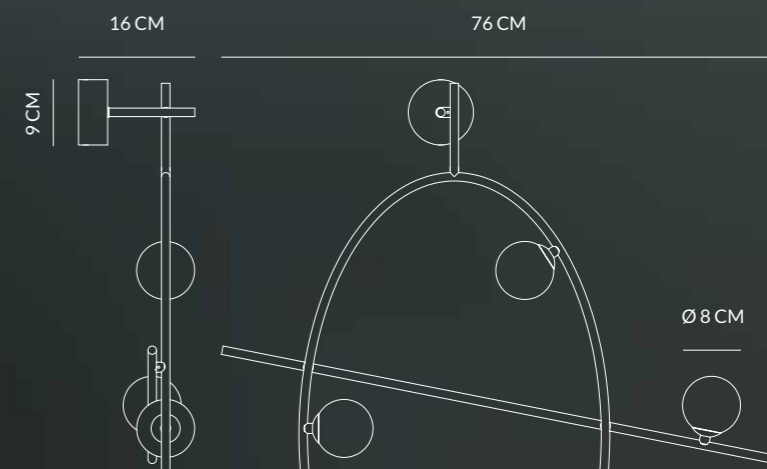


**0058.10**  
**ORO**  
**GOLD**

KELVIN  
COLOUR TEMPERATURE  
**3.000 K**

LUMEN  
**720 LM**

VATTAGGIO  
WATTAGE  
**3 x 6 W**





# FUNAMBULIST

SOSPENSIONE PENDANT LAMP



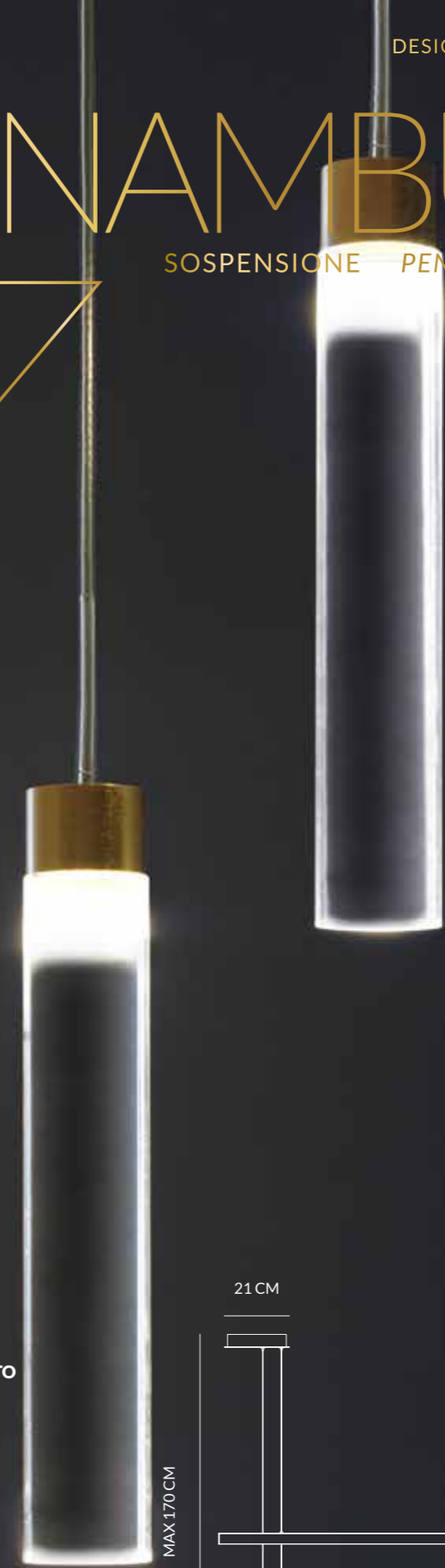
**0059.30**  
OTTONE SPAZZOLATO  
BRUSHED BRASS

KELVIN  
COLOUR TEMPERATURE  
**3.000 K**

LUMEN  
**2.160 LM**

VATTAGGIO  
WATTAGE  
**45 W + 2 x 3 W**

DIREZIONE DELLA LUCE  
LIGHT DIRECTION  
**BARRA LUCE INDIRETTA  
BEAM WITH UPPER LIGHT**



MAX 170 CM





# FUNAMBULIST

SOSPENSIONE PENDANT LAMP



**0059.32**  
**NERO**  
**BLACK**

KELVIN  
 COLOUR TEMPERATURE  
**3.000 K**

LUMEN  
**2.160 LM**

VATTAGGIO  
 WATTAGE  
**45 W + 2 x 3 W**

DIREZIONE DELLA LUCE  
 LIGHT DIRECTION  
**BARRA LUCE INDIRECTA**  
**BEAM WITH UPPER LIGHT**



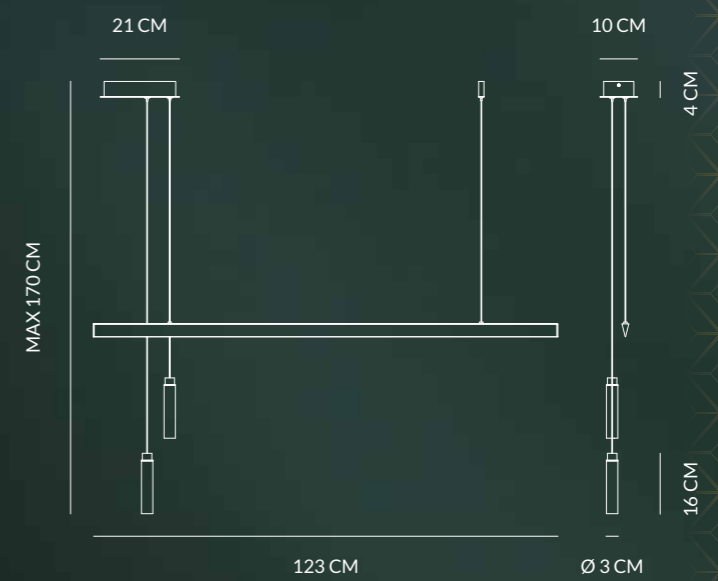
**0059.31**  
**BIANCO**  
**SAND WHITE**

KELVIN  
 COLOUR TEMPERATURE  
**3.000 K**

LUMEN  
**2.160 LM**

VATTAGGIO  
 WATTAGE  
**45 W + 2 x 3 W**

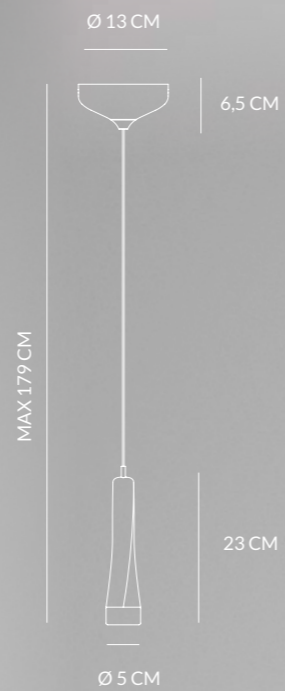
DIREZIONE DELLA LUCE  
 LIGHT DIRECTION  
**BARRA LUCE INDIRECTA**  
**BEAM WITH UPPER LIGHT**





# TWIST

SOSPENSIONE PENDANT LAMP



**0052.30.OR**  
ORO ROSA  
ROSE GOLD

**0052.30.BI**  
BIANCO  
WHITE

**0052.30.NE**  
NERO OPACO  
MATTE BLACK

KELVIN  
COLOUR TEMPERATURE  
3.000 K

LUMEN  
400 LM

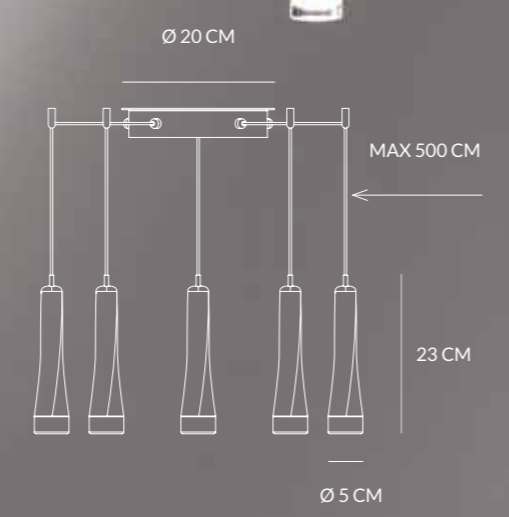
VATTAGGIO  
WATTAGE  
5 W





# TWIST

SOSPENSIONE PENDANT LAMP



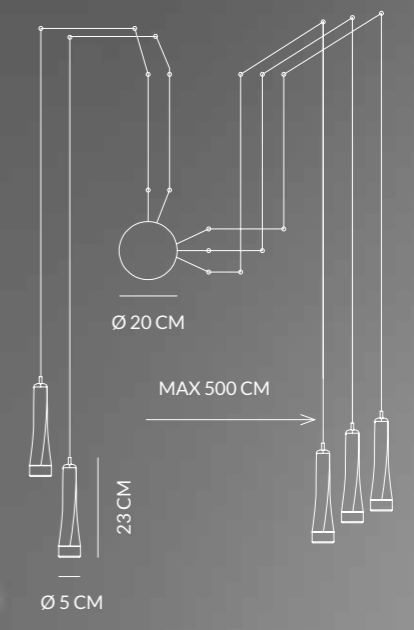
- 0052.31.OR**  
ORO ROSA  
ROSE GOLD
- 0052.31.BI**  
BIANCO  
WHITE
- 0052.31.NE**  
NERO OPACO  
MATTE BLACK

KELVIN  
COLOUR TEMPERATURE  
**3.000 K**

LUMEN  
**1.450 LM**

VATTAGGIO  
WATTAGE  
**18 W**

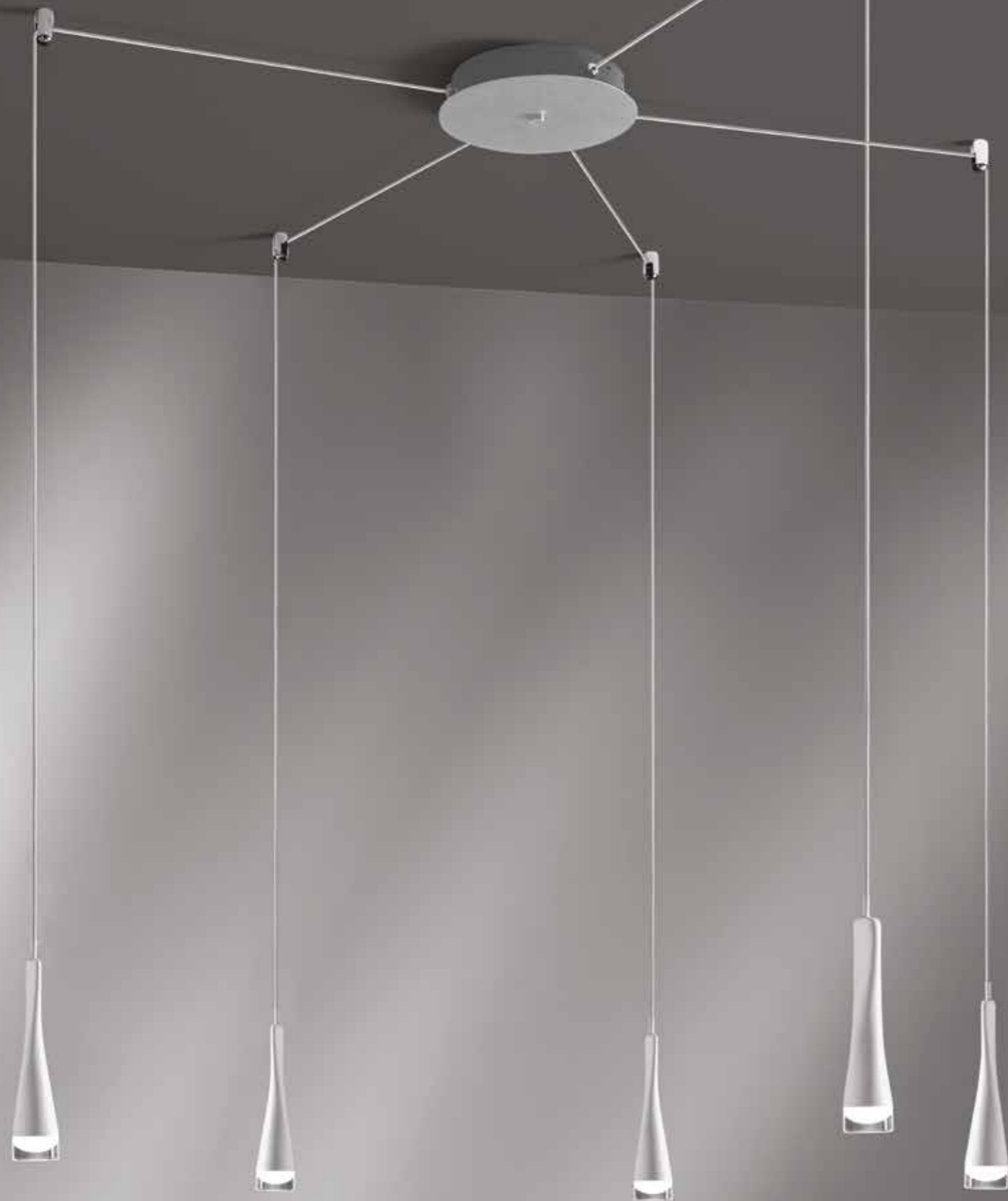
NUMERO NOTTOLINI  
NUMBER OF PAWLS  
**20**






# TWIST

SOSPENSIONE PENDANT LAMP



ACCESSORI TWIST  
TWIST ACCESSORY

 **NTL0052.31.OR**  
ORO ROSA  
ROSE GOLD

 **NTL0052.31 BI**  
BIANCO  
WHITE

 **NTL0052.31 NE**  
NERO OPACO  
MATTE BLACK

KIT NOTTOLINI  
PAWL KIT

NUMERO  
NUMBER  
5





# BAG

SOSPENSIONE PENDANT LAMP



**0053.30.OR**  
ORO ROSA  
ROSE GOLD

**0053.30.BI**  
BIANCO  
WHITE

**0053.30.NE**  
NERO OPACO  
MATTE BLACK

KELVIN  
COLOUR TEMPERATURE  
3.000 K

LUMEN  
350 LM

VATTAGGIO  
WATTAGE  
5 W



# V BAG

SOSPENSIONE PENDANT LAMP



**0053.31.OR**  
ORO ROSA  
ROSE GOLD

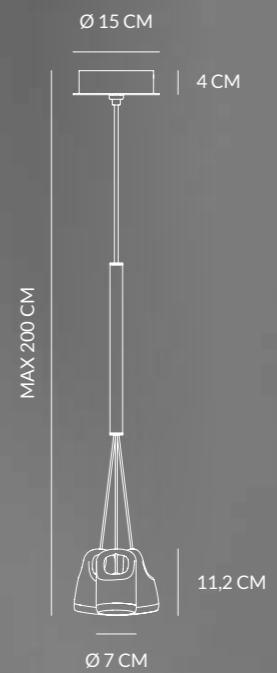
**0053.31.BI**  
BIANCO  
WHITE

**0053.31.NE**  
NERO OPACO  
MATTE BLACK

KELVIN  
COLOUR TEMPERATURE  
3.000 K

LUMEN  
850 LM

VATTAGGIO  
WATTAGE  
12 W





# BAG

SOSPENSIONE PENDANT LAMP



**0053.33.OR**  
ORO ROSA  
ROSE GOLD

**0053.33.BI**  
BIANCO  
WHITE

**0053.33.NE**  
NERO OPACO  
MATTE BLACK

KELVIN  
COLOUR TEMPERATURE  
3.000 K

LUMEN  
2.650 LM

VATTAGGIO  
WATTAGE  
38 W



MAX 216 CM

Ø 30 CM

5 CM

11,2 CM

Ø 7 CM



# BAG

SOSPENSIONE PENDANT LAMP





# BAG

SOSPENSIONE PENDANT LAMP

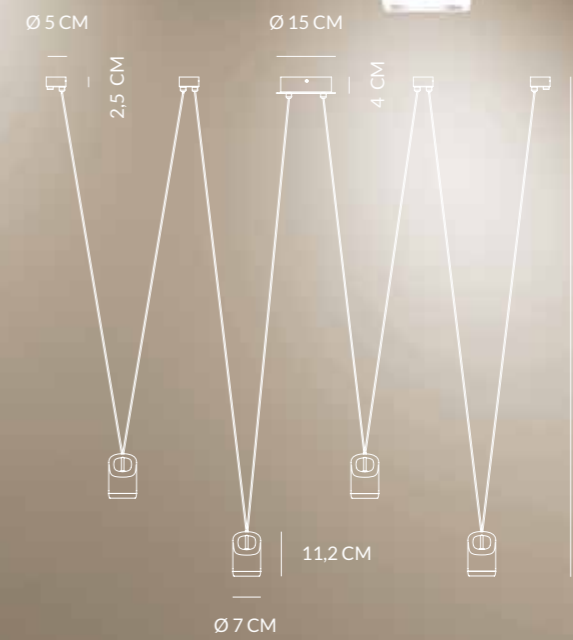


- 0053.32.OR**  
ORO ROSA  
ROSE GOLD
- 0053.32.BI**  
BIANCO  
WHITE
- 0053.32.NE**  
NERO OPACO  
MATTE BLACK

KELVIN  
COLOUR TEMPERATURE  
**3.000 K**

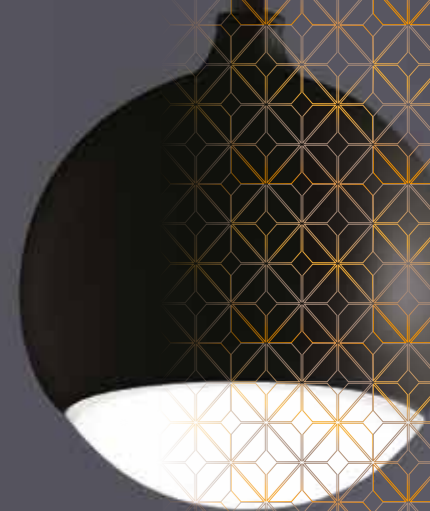
LUMEN  
**1.100 LM**

VATTAGGIO  
WATTAGE  
**16 W**



# SHALLOW

SOSPENSIONE PENDANT LAMP



**0054.30.OR**  
ORO ROSA  
ROSE GOLD

**0054.30.BI**  
BIANCO  
WHITE

**0054.30.NE**  
NERO OPACO  
MATTE BLACK

KELVIN  
COLOUR TEMPERATURE  
3.000 K

LUMEN  
370 LM

VATTAGGIO  
WATTAGE  
5 W





# SHALLOW

SOSPENSIONE PENDANT LAMP



**0054.31.OR**  
ORO ROSA  
ROSE GOLD

**0054.31.BI**  
BIANCO  
WHITE

**0054.31.NE**  
NERO OPACO  
MATTE BLACK

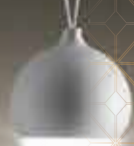
KELVIN  
COLOUR TEMPERATURE  
**3.000 K**

LUMEN  
**1.200 LM**

VATTAGGIO  
WATTAGE  
**16 W**

# SHALLOW

SOSPENSIONE PENDANT LAMP





# SHALLOW

SOSPENSIONE PENDANT LAMP



**0054.32.OR**  
ORO ROSA  
ROSE GOLD

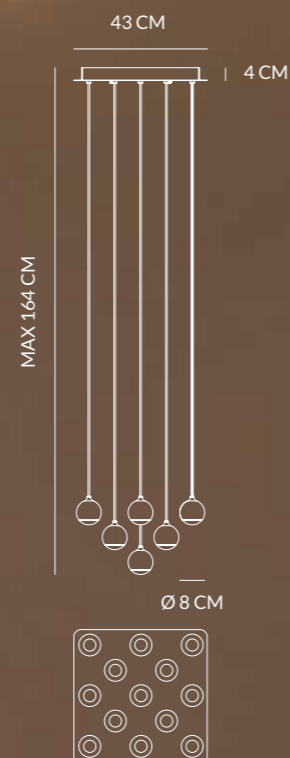
**0054.32.BI**  
BIANCO  
WHITE

**0054.32.NE**  
NERO OPACO  
MATTE BLACK

KELVIN  
COLOUR TEMPERATURE  
**3.000 K**

LUMEN  
**3.000 LM**

VATTAGGIO  
WATTAGE  
**40 W**







# SHALLOW

SOSPENSIONE PENDANT LAMP





# SHALLOW

SOSPENSIONE PENDANT LAMP

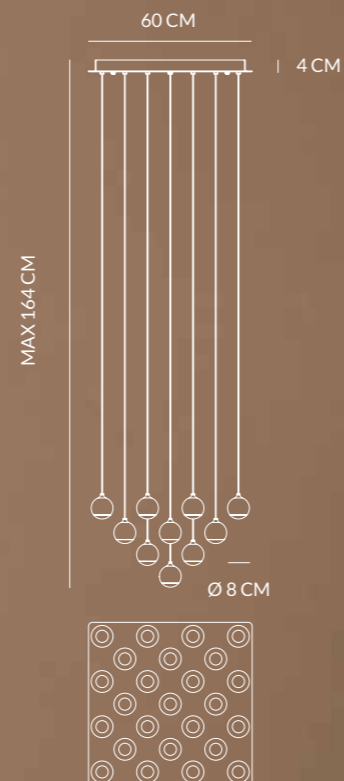


- 0054.33.OR**  
ORO ROSA  
ROSE GOLD
- 0054.33.BI**  
BIANCO  
WHITE
- 0054.33.NE**  
NERO OPACO  
MATTE BLACK

KELVIN  
COLOUR TEMPERATURE  
**3.000 K**

LUMEN  
**4.650 LM**

VATTAGGIO  
WATTAGE  
**62 W**



# SEVENTY 1

SOSPENSIONE PENDANT LAMP



**0080.30.BRL**  
MARRONE OSSIDATO  
OXIDIZED BROWN

KELVIN  
COLOUR TEMPERATURE  
**3.000 K**

LUMEN  
**660 LM**

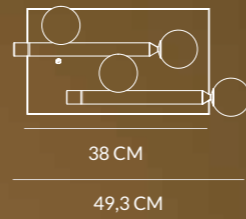
VATTAGGIO  
WATTAGE  
**1x2W + 1x4W**





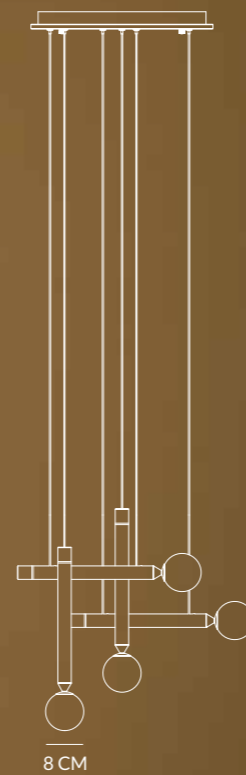
# SEVENTY 4

SOSPENSIONE PENDANT LAMP



22 CM

MAX 150 CM



46,3 CM

8 CM



**0080.31.BRL**  
MARRONE OSSIDATO  
OXIDIZED BROWN

KELVIN  
COLOUR TEMPERATURE  
**3.000 K**

LUMEN  
**2.640 LM**

VATTAGGIO  
WATTAGE  
**4 x 2W + 4 x 4W**

# MARYON

SOSPENSIONE PENDANT LAMP



**0081.30.BRL**  
MARRONE OSSIDATO  
OXIDIZED BROWN

KELVIN  
COLOUR TEMPERATURE  
**3.000 K**

LUMEN  
**220 LM**

VATTAGGIO  
WATTAGE  
**1 x 2 W**



# MARYON

SOSPENSIONE PENDANT LAMP



**0081.31.BRL**  
MARRONE OSSIDATO  
OXIDIZED BROWN

KELVIN  
COLOUR TEMPERATURE  
**3.000 K**

LUMEN  
**880 LM**

VATTAGGIO  
WATTAGE  
**4 x 2 W**



# MARYON

SOSPENSIONE PENDANT LAMP



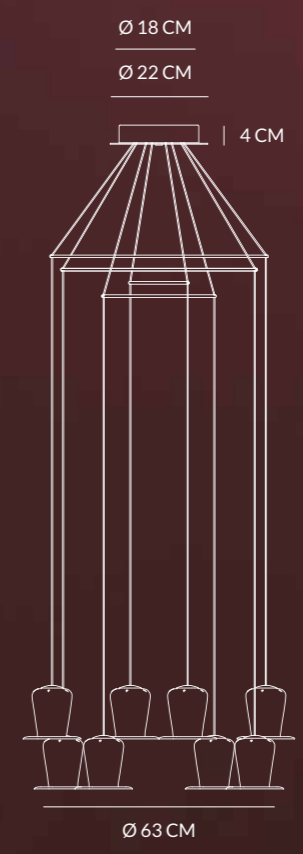
**0081.32.BRL**  
**MARRONE OSSIDATO**  
**OXIDIZED BROWN**

KELVIN  
COLOUR TEMPERATURE  
**3.000 K**

LUMEN  
**1.760 LM**

VATTAGGIO  
WATTAGE  
**8 x 2 W**

MAX 150 CM





# HOLLYAUDREY

SOSPENSIONE PENDANT LAMP



**0077.30.BI**  
BIANCO SABBIA  
SAND WHITE

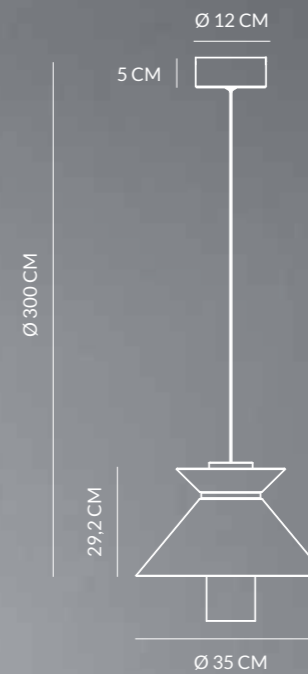
**0077.30.NE**  
NERO SABBIA  
SAND BLACK

**0077.30.BRO**  
MARRONE SABBIA  
SAND BROWN

KELVIN  
COLOUR TEMPERATURE  
**3.000 K**

LUMEN  
**1.660 LM**

VATTAGGIO  
WATTAGE  
**30 W**







# COSMIT

LAMPADA DA TAVOLO

TABLE LAMP





# COSMIT

LAMPADA DA TAVOLO

TABLE LAMP



**0082.41.BI**

BIANCO  
WHITE BODY

**0082.41.NE**

NERO  
BLACK BODY

**0082.41.BRL**

MARRONE OSSIDATO  
OXIDIZED BROWN

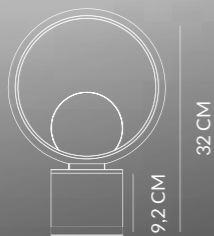
LAMPADINA LED G9  
(non inclusa)

G9 LED BULB  
(not included)

VATTAGGIO  
WATTAGE  
1 x 6 W

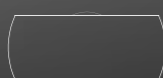
Ø 22 CM

9 CM



32 CM

Ø 10 CM



**0082.40.BI**

BIANCO  
WHITE BODY

**0082.40.NE**

NERO  
BLACK BODY

**0082.40.BRL**

MARRONE OSSIDATO  
OXIDIZED BROWN

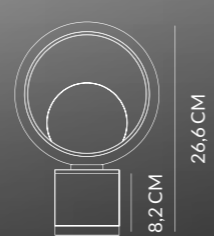
LAMPADINA LED G9  
(non inclusa)

G9 LED BULB  
(not included)

VATTAGGIO  
WATTAGE  
1 x 6 W

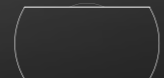
Ø 18 CM

9 CM



26,6 CM

Ø 8 CM





# INNER SPACES

INNER R  
INNER S  
LIFERING  
LIGHTLINE  
NEBULA

*INNER SPACES sono veri e propri progetti di design per arredare illuminando gli ambienti.*

*INNER SPACES the design you need to decorate your everyday life.*

*INNER SPACES - то, что вам нужно для света в вашей жизни каждый день.*

*INNER SPACES son verdaderos proyectos de diseño para amueblar e iluminar las estancias.*

*INNER SPACES - O design necessário e essencial para iluminar o ambiente.*

*INNER SPACES sont de véritables projets de design pour décorer en éclairant les pièces.*

*INNER SPACES sind echte Designprojekte, die Räume einrichten und beleuchten.*



# INNER R

PLAFONIERA  
LAMPADA A PARETE

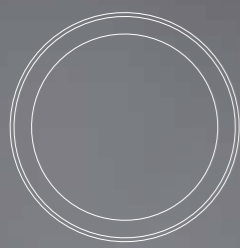
CEILING LAMP  
WALL LAMP



9 CM

9 CM

9 CM



Ø 80 CM

Ø 60 CM

Ø 48 CM

**0043.22.BI**

BIANCO  
WHITE

**0043.22.SA**

SABBIA  
SAND

**0043.22.NE**

NERO OPACO  
MATTE BLACK

KELVIN  
COLOUR TEMPERATURE  
**3.000 K**

LUMEN  
**4.800 LM**

VATTAGGIO  
WATTAGE  
**80 W**

**0043.21.BI**

BIANCO  
WHITE

**0043.21.SA**

SABBIA  
SAND

**0043.21.NE**

NERO OPACO  
MATTE BLACK

KELVIN  
COLOUR TEMPERATURE  
**3.000 K**

LUMEN  
**3.000 LM**

VATTAGGIO  
WATTAGE  
**50 W**

**0043.20.BI**

BIANCO  
WHITE

**0043.20.SA**

SABBIA  
SAND

**0043.20.NE**

NERO OPACO  
MATTE BLACK

KELVIN  
COLOUR TEMPERATURE  
**3.000 K**

LUMEN  
**2.400 LM**

VATTAGGIO  
WATTAGE  
**40 W**

# INNER R

SOSPENSIONE PENDANT LAMP



**0043.31.BI**  
BIANCO  
WHITE

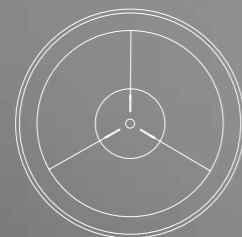
**0043.31.NE**  
NERO OPACO  
MATTE BLACK

**0043.31.SA**  
SABBIA  
SAND

KELVIN  
COLOUR TEMPERATURE  
**3.000 K**

LUMEN  
**4.800 LM**

VATTAGGIO  
WATTAGE  
**80 W**



**0043.30.BI**  
BIANCO  
WHITE

**0043.30.NE**  
NERO OPACO  
MATTE BLACK

**0043.30.SA**  
SABBIA  
SAND

KELVIN  
COLOUR TEMPERATURE  
**3.000 K**

LUMEN  
**3.000 LM**

VATTAGGIO  
WATTAGE  
**50 W**

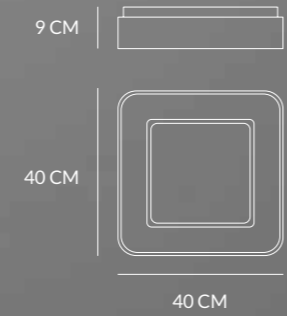
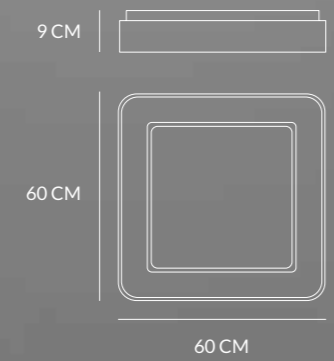
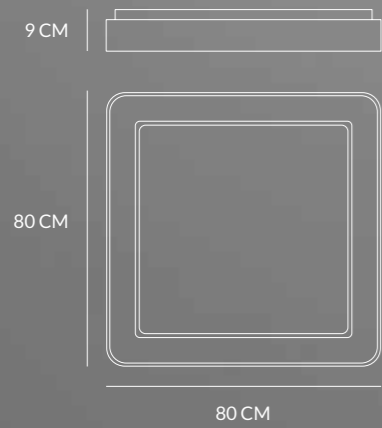
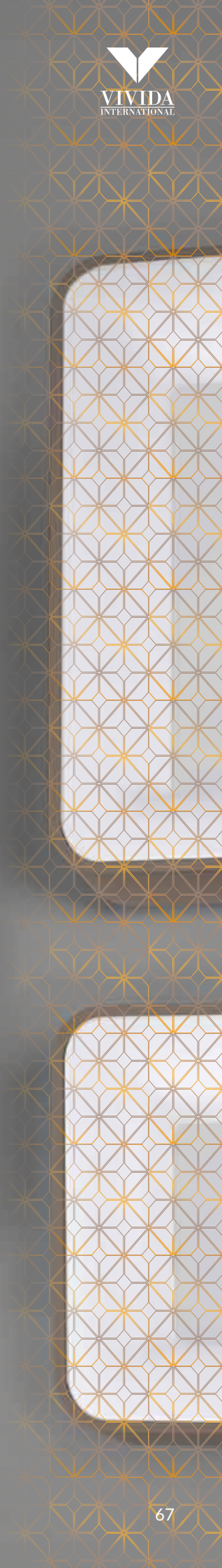




# INNER S

PLAFONIERA  
LAMPADA A PARETE

CEILING LAMP  
WALL LAMP



**0044.22.BI**  
BIANCO  
WHITE

**0044.22.NE**  
NERO  
BLACK

**0044.22.SA**  
SABBIA  
SAND

KELVIN  
COLOUR TEMPERATURE  
**3.000 K**

LUMEN  
**4.800 LM**

VATTAGGIO  
WATTAGE  
**80 W**

**0044.21.BI**  
BIANCO  
WHITE

**0044.21.NE**  
NERO  
BLACK

**0044.21.SA**  
SABBIA  
SAND

KELVIN  
COLOUR TEMPERATURE  
**3.000 K**

LUMEN  
**3.000 LM**

VATTAGGIO  
WATTAGE  
**50 W**

**0044.20.BI**  
BIANCO  
WHITE

**0044.20.NE**  
NERO  
BLACK

**0044.20.SA**  
SABBIA  
SAND

KELVIN  
COLOUR TEMPERATURE  
**3.000 K**

LUMEN  
**1.920 LM**

VATTAGGIO  
WATTAGE  
**32 W**

# INNER S

SOSPENSIONE

PENDANT LAMP



**0044.31.BI**  
BIANCO  
WHITE

**0044.31.NE**  
NERO  
BLACK

**0044.31.SA**  
SABBIA  
SAND

KELVIN  
COLOUR TEMPERATURE  
**3.000 K**

LUMEN  
**4.800 LM**

VATTAGGIO  
WATTAGE  
**80 W**

**0044.30.BI**  
BIANCO  
WHITE

**0044.30.NE**  
NERO  
BLACK

**0044.30.SA**  
SABBIA  
SAND

KELVIN  
COLOUR TEMPERATURE  
**3.000 K**

LUMEN  
**3.000 LM**

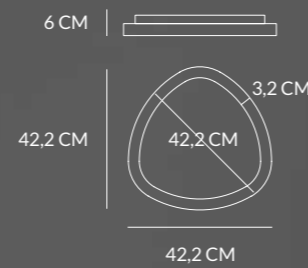
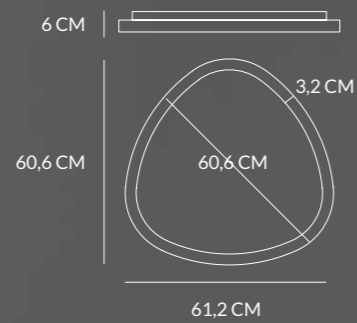
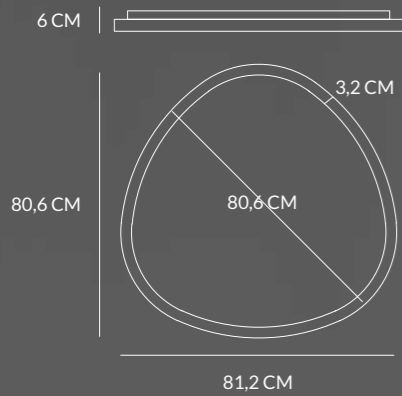
VATTAGGIO  
WATTAGE  
**50 W**



# LIFERING

LAMPADA A PARETE  
PLAFONIERA

WALL LAMP  
CEILING LAMP



**0083.22.BI**

BIANCO  
WHITE

**0083.22.NE**

NERO  
BLACK

**0083.22.SA**

SABBIA  
SAND

KELVIN  
COLOUR TEMPERATURE  
**3.000 K**

LUMEN  
**4.200 LM**

VATTAGGIO  
WATTAGE  
**60 W**

**0083.21.BI**

BIANCO  
WHITE

**0083.21.NE**

NERO  
BLACK

**0083.21.SA**

SABBIA  
SAND

KELVIN  
COLOUR TEMPERATURE  
**3.000 K**

LUMEN  
**3.360 LM**

VATTAGGIO  
WATTAGE  
**48 W**

**0083.20.BI**

BIANCO  
WHITE

**0083.20.NE**

NERO  
BLACK

**0083.20.SA**

SABBIA  
SAND

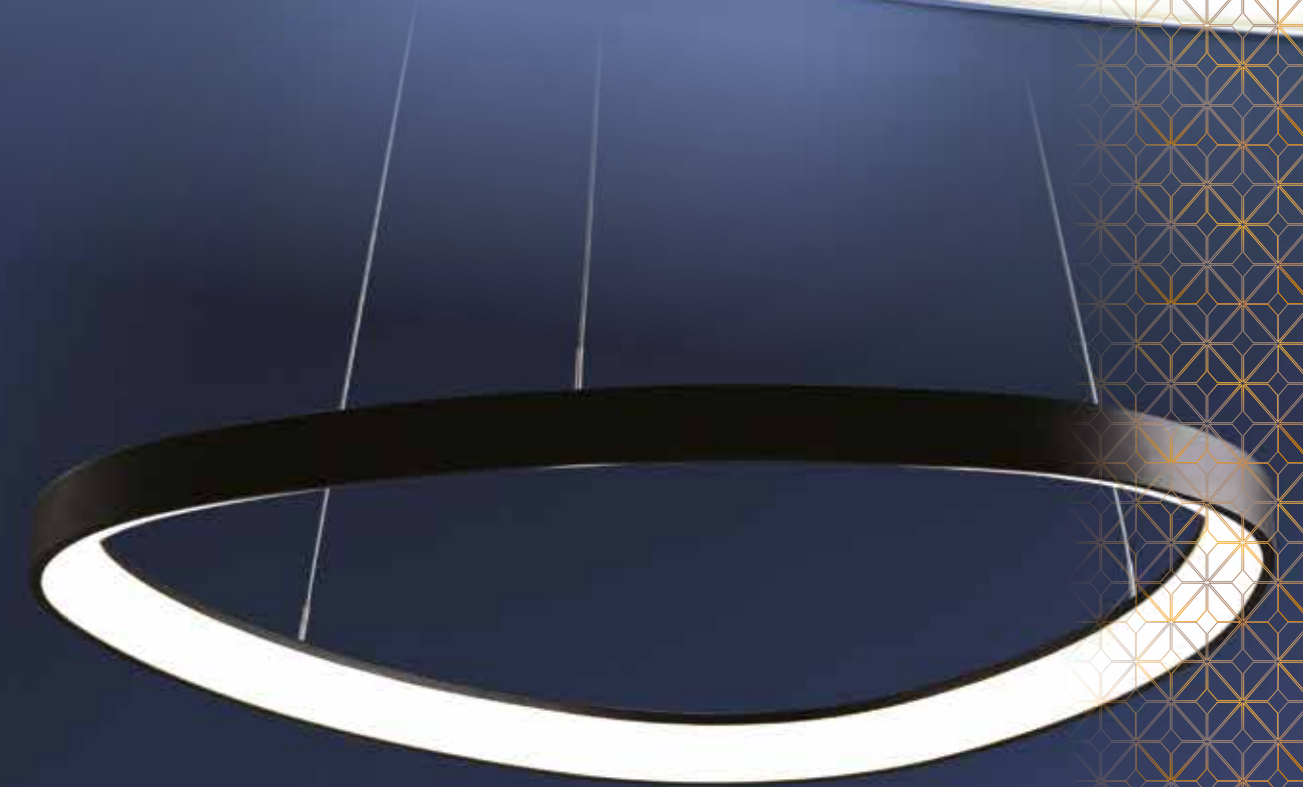
KELVIN  
COLOUR TEMPERATURE  
**3.000 K**

LUMEN  
**2.660 LM**

VATTAGGIO  
WATTAGE  
**38 W**

# LIFERING

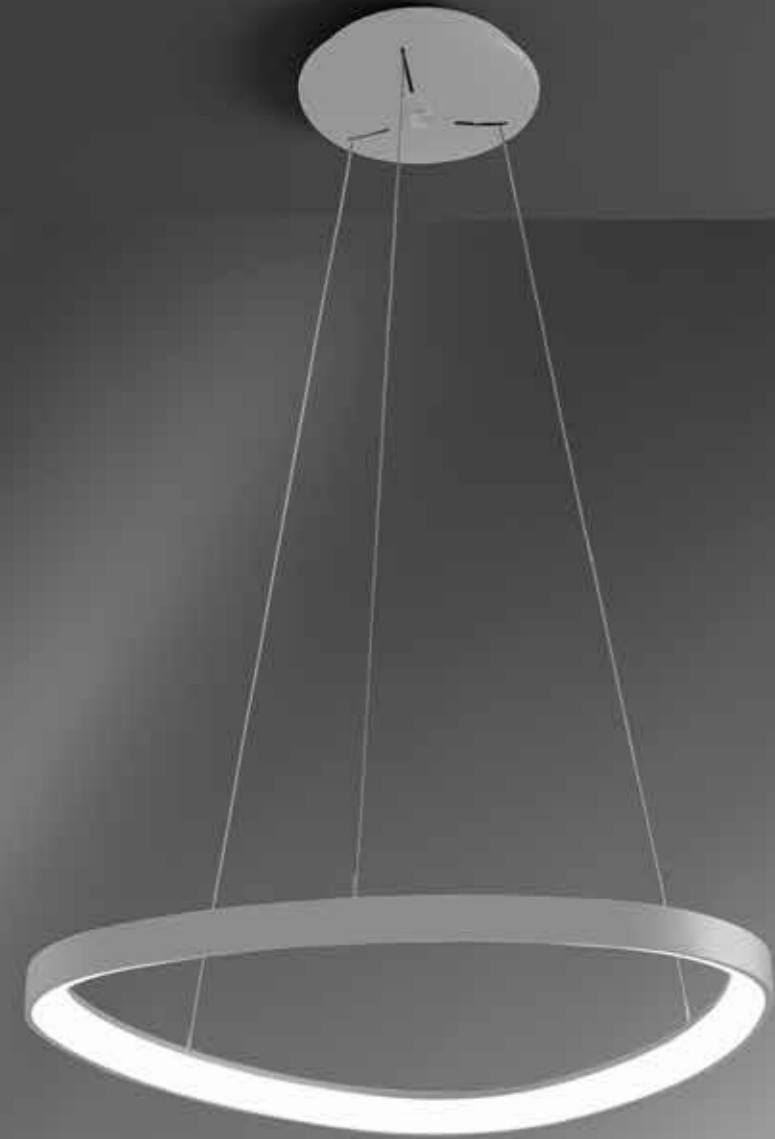
SOSPENSIONE PENDANT LAMP





# LIFERING

SOSPENSIONE PENDANT LAMP



**0083.31.BI**  
BIANCO  
WHITE

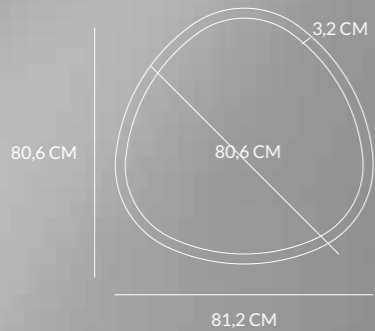
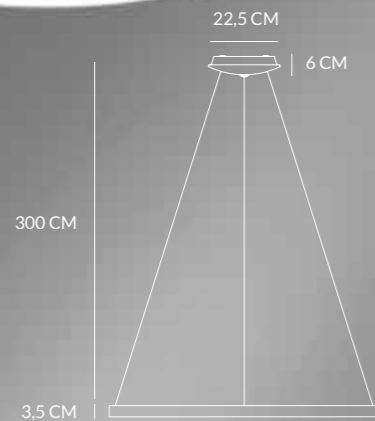
**0083.31.NE**  
NERO  
BLACK

**0083.31.SA**  
SABBIA  
SAND

KELVIN  
COLOUR TEMPERATURE  
**3.000 K**

LUMEN  
**3.600 LM**

VATTAGGIO  
WATTAGE  
**60 W**



**0083.30.BI**  
BIANCO  
WHITE

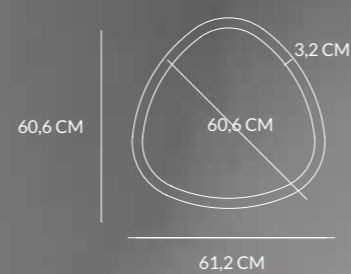
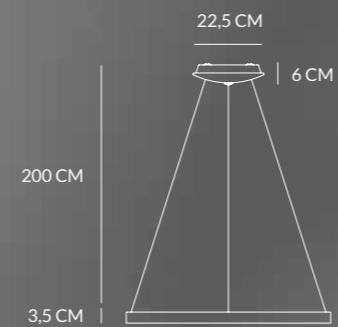
**0083.30.NE**  
NERO  
BLACK

**0083.30.SA**  
SABBIA  
SAND

KELVIN  
COLOUR TEMPERATURE  
**3.000 K**

LUMEN  
**2.880 LM**

VATTAGGIO  
WATTAGE  
**48 W**



# LIGHT LINE

SOSPENSIONE PENDANT LAMP



**0086.30.CR DIM**  
CROMO  
CHROME

KELVIN  
COLOUR TEMPERATURE  
**3.000 K**

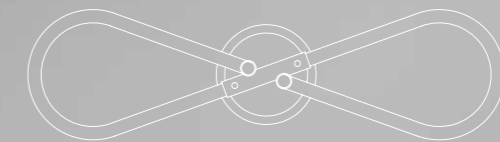
LUMEN  
**2.600 LM**

VATTAGGIO  
WATTAGE  
**30 W**

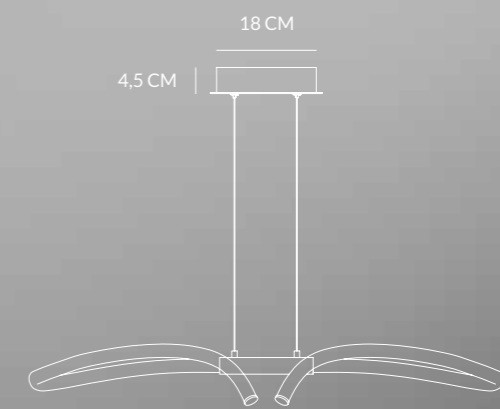
**DIMMERABILE  
DIMMABLE**



23,5 CM



275 CM

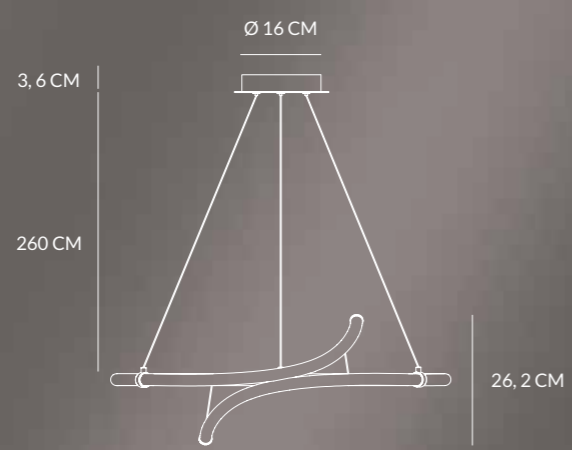
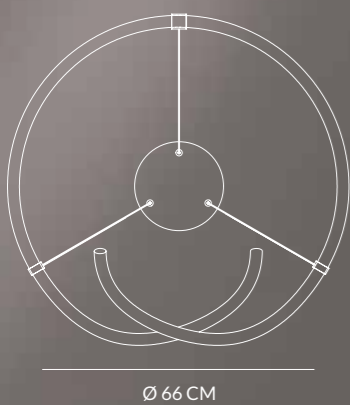
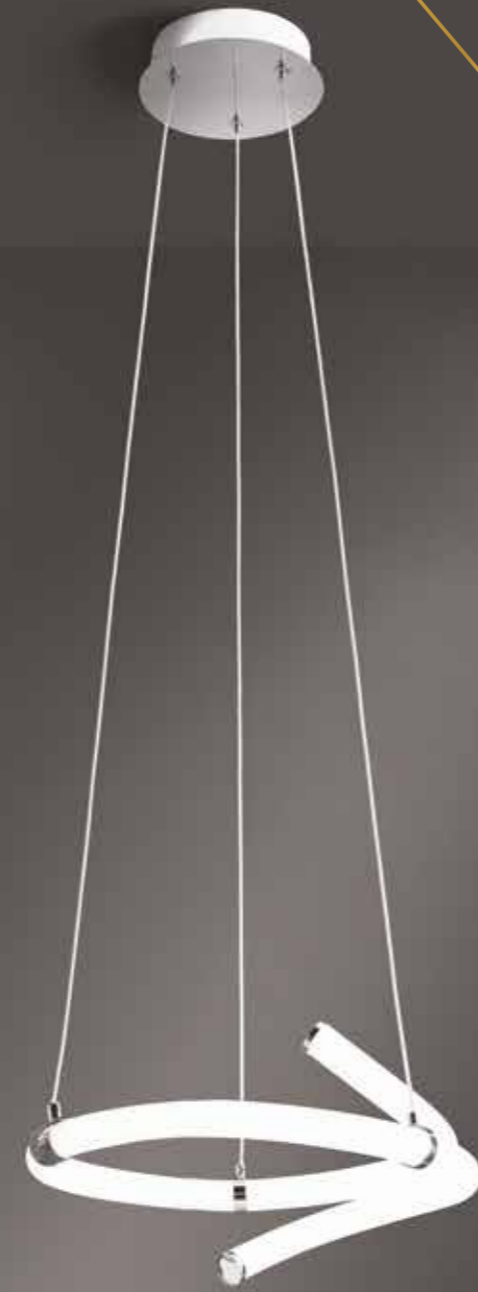
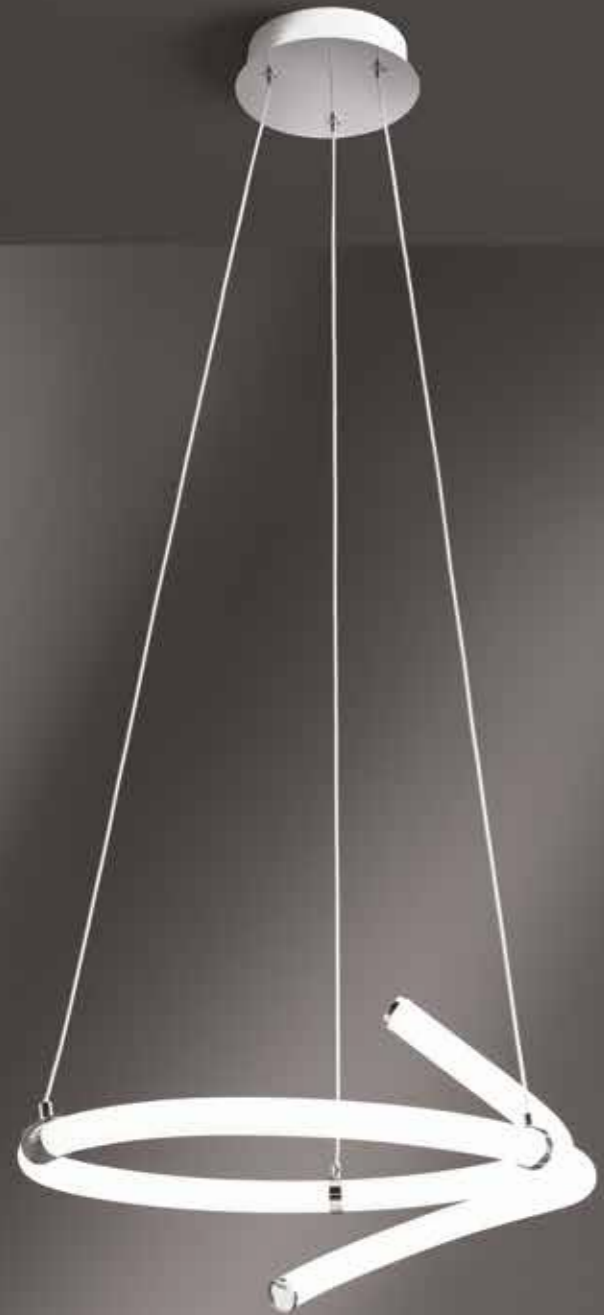


86 CM



# LIGHT LINE

SOSPENSIONE PENDANT LAMP



**0093.31.CR DIM**  
**CROMO**  
**CHROME**

KELVIN  
COLOUR TEMPERATURE  
**3.000 K**

LUMEN  
**3.000 LM**

VATTAGGIO  
WATTAGE  
**37 W**

**DIMMERABILE**  
**DIMMABLE**



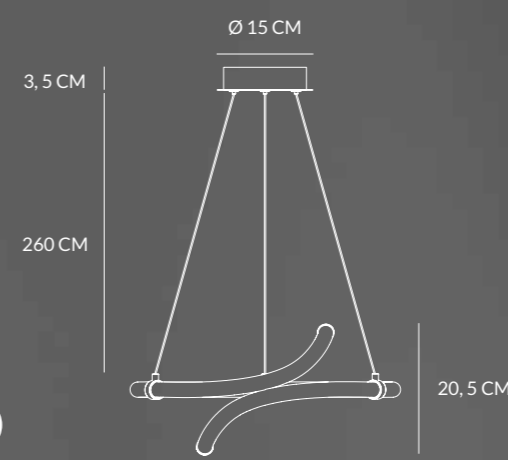
**0093.30.CR DIM**  
**CROMO**  
**CHROME**

KELVIN  
COLOUR TEMPERATURE  
**3.000 K**

LUMEN  
**1.900 LM**

VATTAGGIO  
WATTAGE  
**21 W**

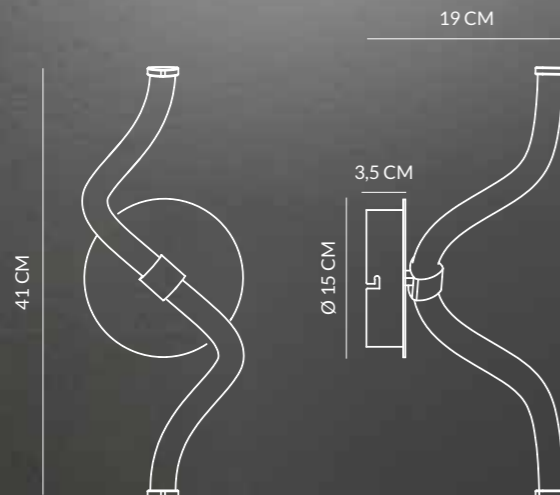
**DIMMERABILE**  
**DIMMABLE**



# LIGHT LINE

PLAFONIERA  
LAMPADA A PARETE

CEILING LAMP  
WALL LAMP

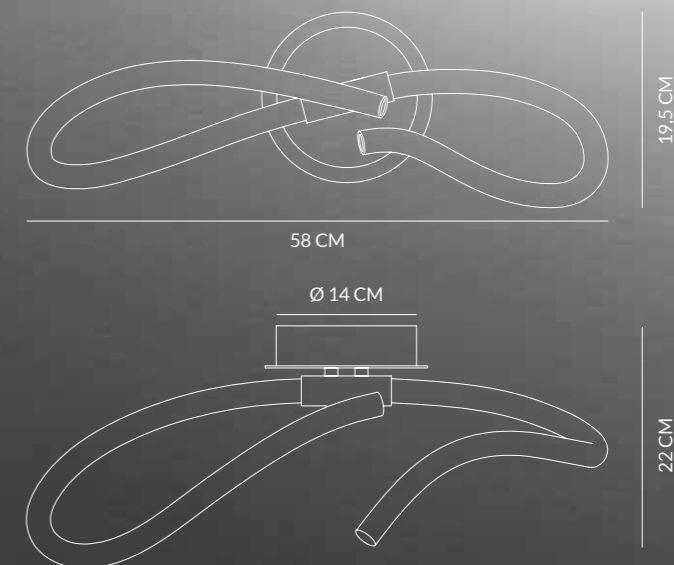
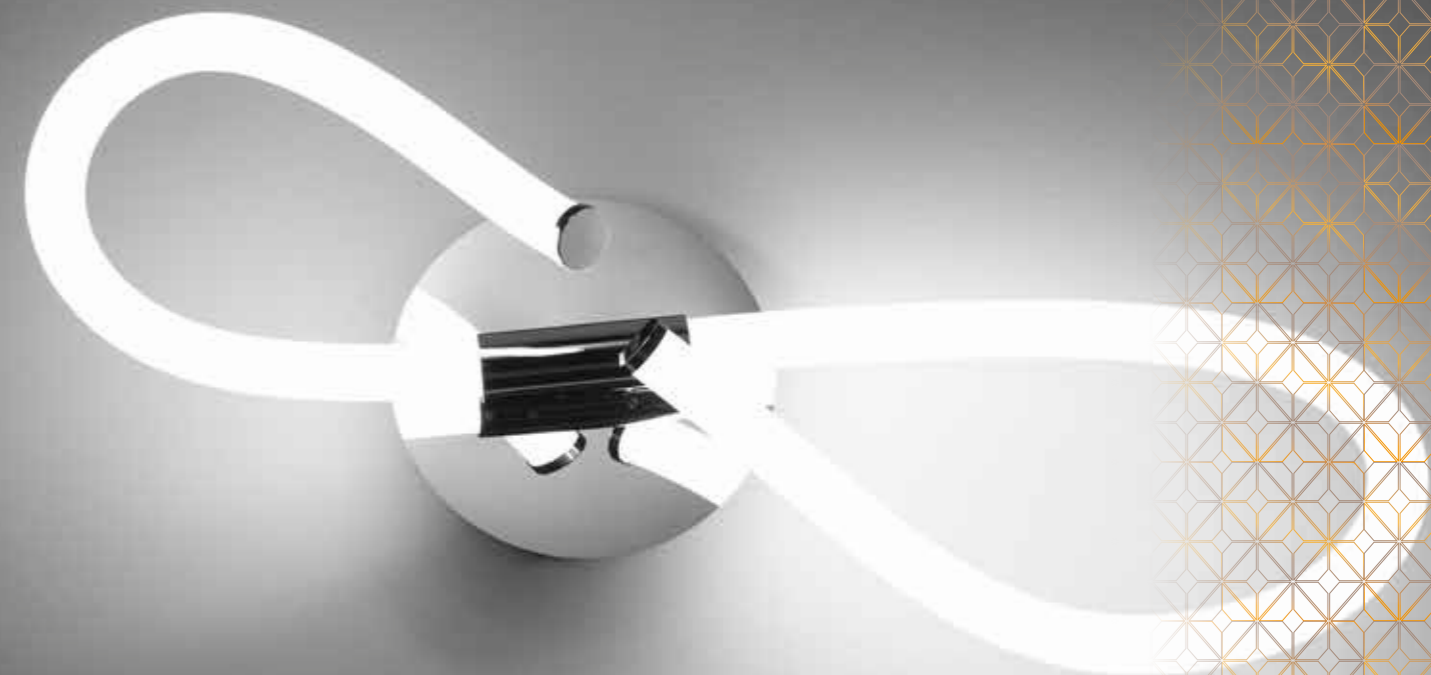


**0090.20.CR**  
**CROMO**  
**CHROME**

KELVIN  
COLOUR TEMPERATURE  
**3.000 K**

LUMEN  
**700 LM**

VATTAGGIO  
WATTAGE  
**8 W**



**0087.20.CR DIM**  
**CROMO**  
**CHROME**

KELVIN  
COLOUR TEMPERATURE  
**3.000 K**

LUMEN  
**1.800 LM**

VATTAGGIO  
WATTAGE  
**21 W**

**DIMMERABILE**  
**DIMMABLE**

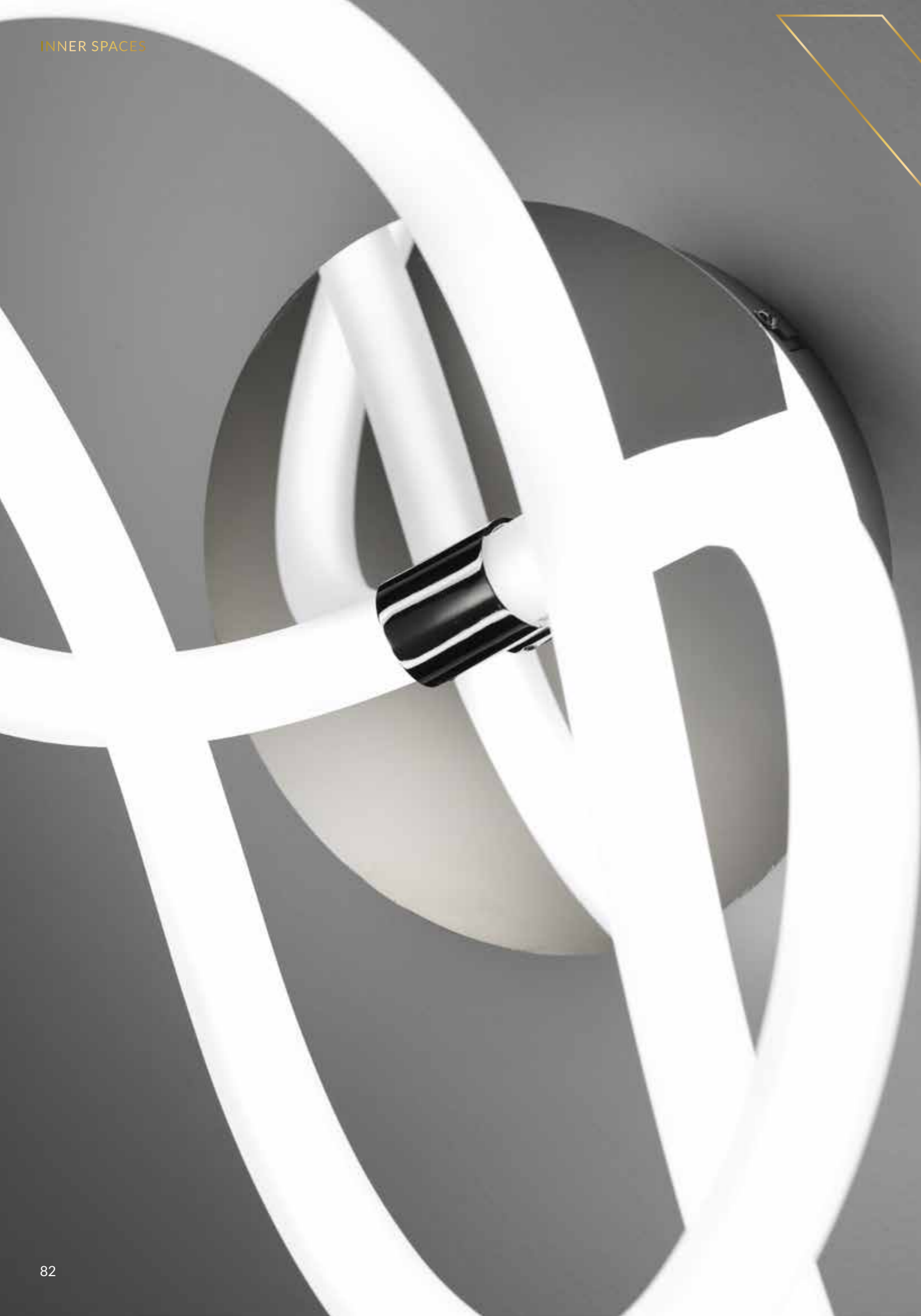




# LIGHTLINE

PLAFONIERA  
LAMPADA A PARETE

CEILING LAMP  
WALL LAMP



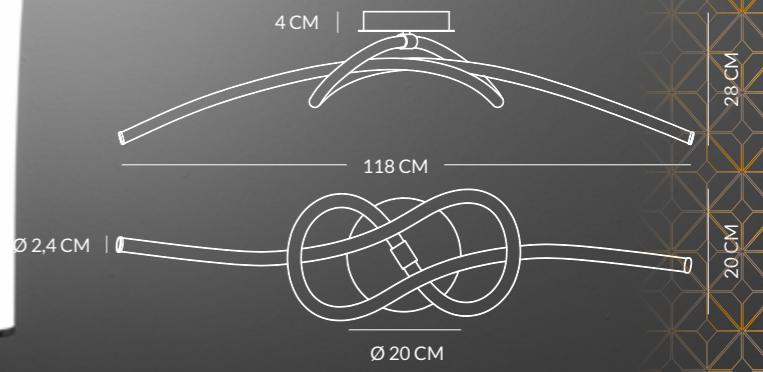
**0094.20.CR DIM**  
CROMO  
CHROME

KELVIN  
COLOUR TEMPERATURE  
**3.000 K**

LUMEN  
**2.900 LM**

VATTAGGIO  
WATTAGE  
**32 W**

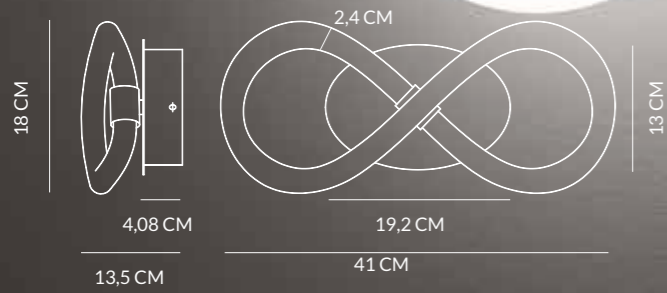
**DIMMERABILE**  
DIMMABLE





# LIGHT LINE

LAMPADA DA TAVOLO TABLE LAMP



**0091.20.CR DIM**

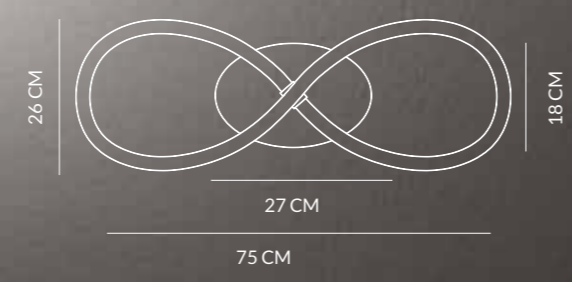
**CROMO CHROME**

KELVIN  
COLOUR TEMPERATURE  
**3.000 K**

LUMEN  
**1.200 LM**

VATTAGGIO  
WATTAGE  
**12 W**

**DIMMERABILE DIMMABLE**



**0091.21.CR DIM**

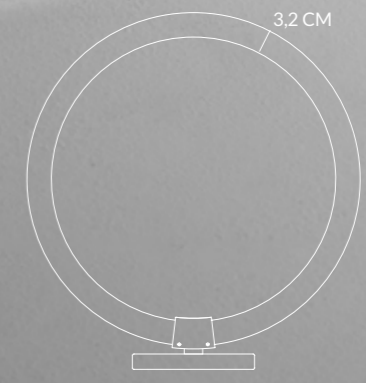
**CROMO CHROME**

KELVIN  
COLOUR TEMPERATURE  
**3.000 K**

LUMEN  
**2.500 LM**

VATTAGGIO  
WATTAGE  
**30 W**

**DIMMERABILE DIMMABLE**



**0089.40.CR DIM**

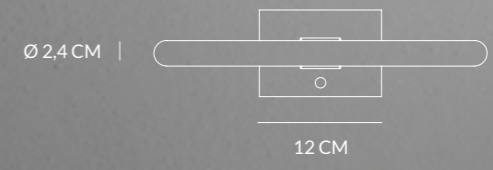
**CROMO CHROME**

KELVIN  
COLOUR TEMPERATURE  
**3.000 K**

LUMEN  
**840 LM**

VATTAGGIO  
WATTAGE  
**12 W**

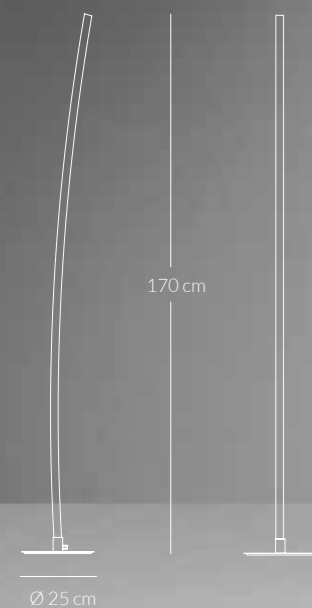
**DIMMERABILE DIMMABLE**





# LIGHT LINE

LAMPADA DA TERRA FLOOR LAMP



**0088.50.CR DIM**  
CROMO  
CHROME

KELVIN  
COLOUR TEMPERATURE  
**3.000 K**

LUMEN  
**2.000 LM**

VATTAGGIO  
WATTAGE  
**20 W**

**DIMMERABILE**  
**DIMMABLE**



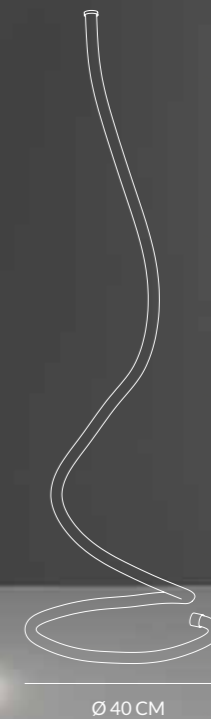
**0092.50.CR DIM**  
CROMO  
CHROME

KELVIN  
COLOUR TEMPERATURE  
**3.000 K**

LUMEN  
**4.000 LM**

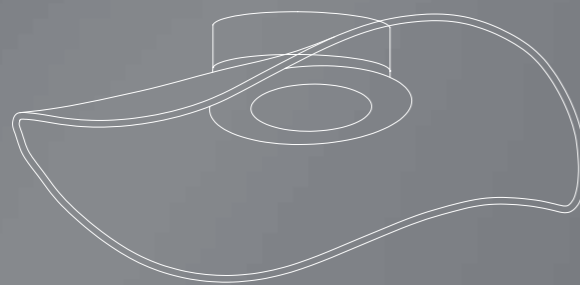
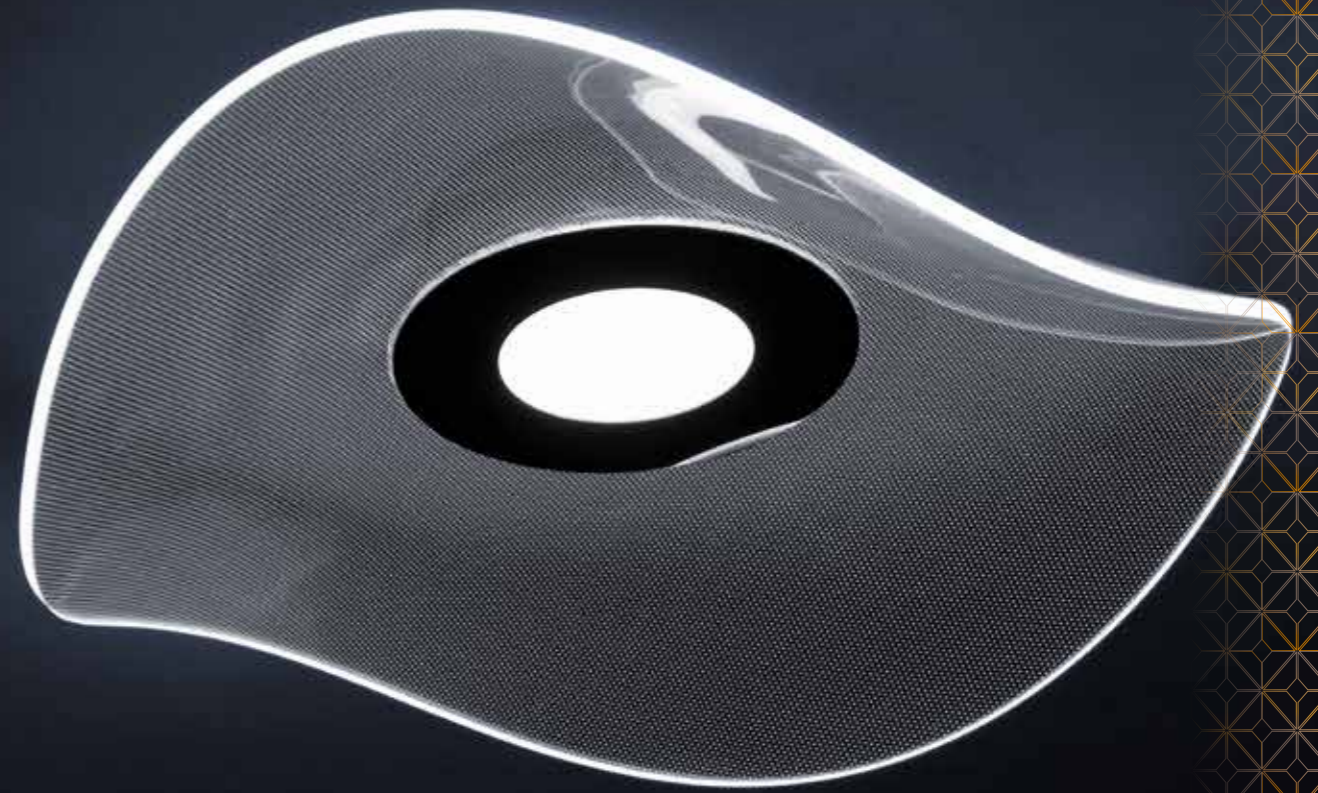
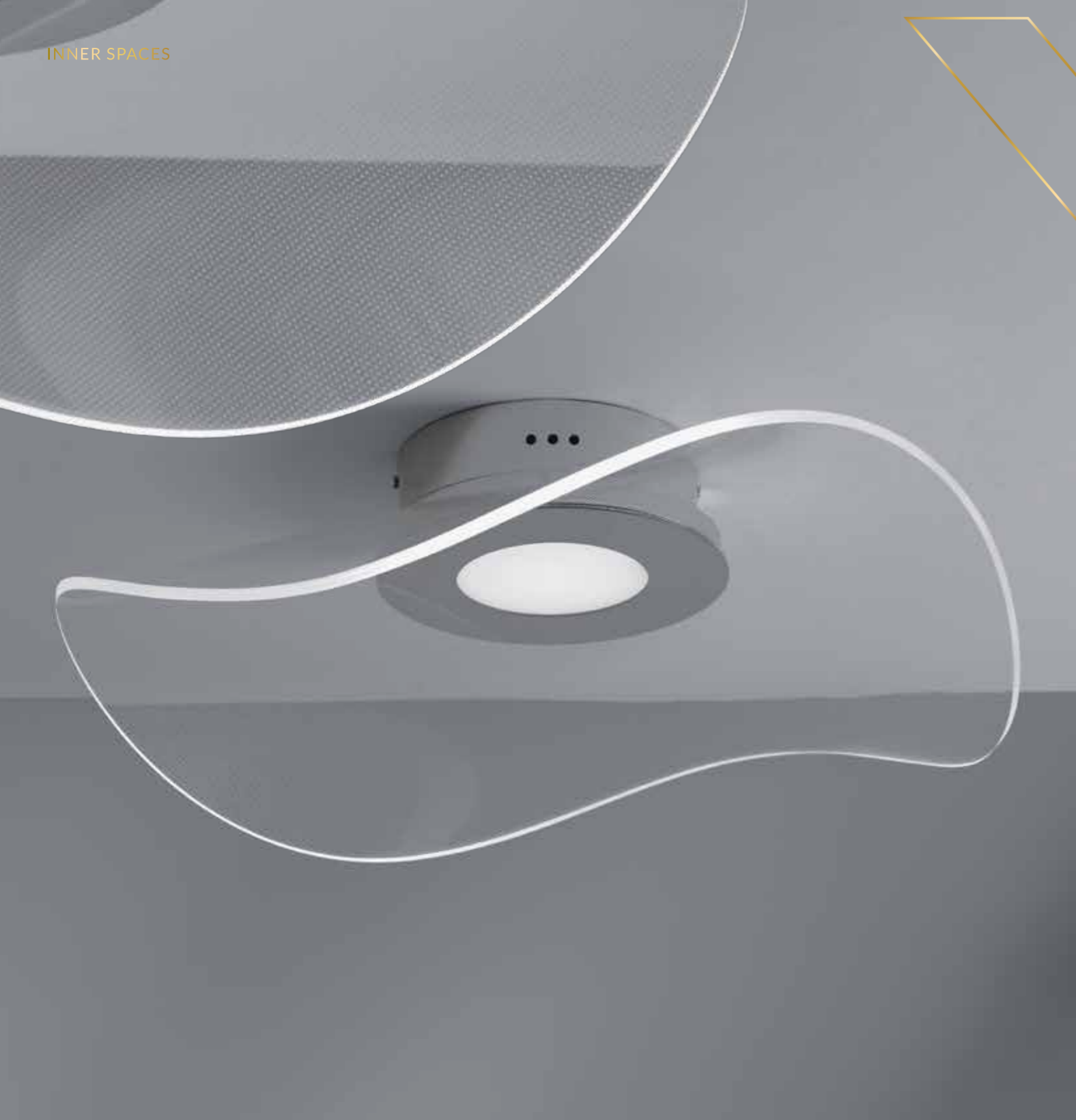
VATTAGGIO  
WATTAGE  
**38 W**

**DIMMERABILE**  
**DIMMABLE**



# NEBULA

PLAFONIERA CEILING LAMP



Ø 47 CM

15,5 CM

**0076.20.CR**

**CROMO  
CHROME**

KELVIN  
COLOUR TEMPERATURE  
**3.000 K**

LUMEN  
**1.056 LM**

VATTAGGIO  
WATTAGE  
**15 W**

**0076.21.CR**

**CROMO  
CHROME**

KELVIN  
COLOUR TEMPERATURE  
**3.000 K**

LUMEN  
**1.878 LM**

VATTAGGIO  
WATTAGE  
**30 W**



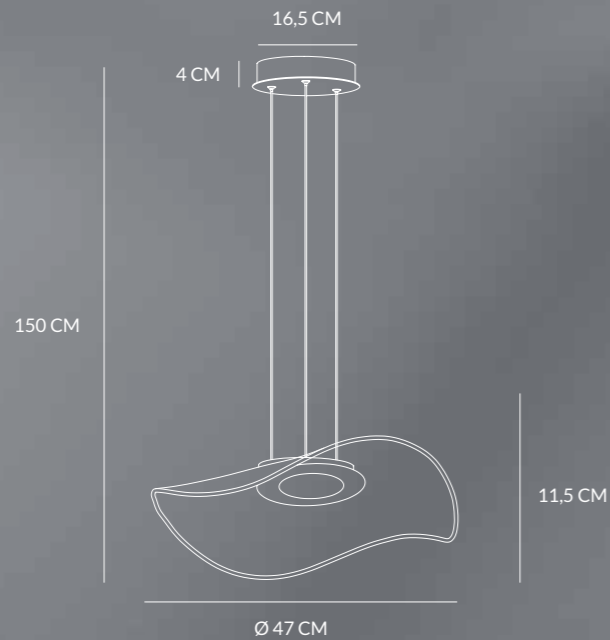
Ø 70 CM

21 CM



# NEBULA

SOSPENSIONE PENDANT LAMP



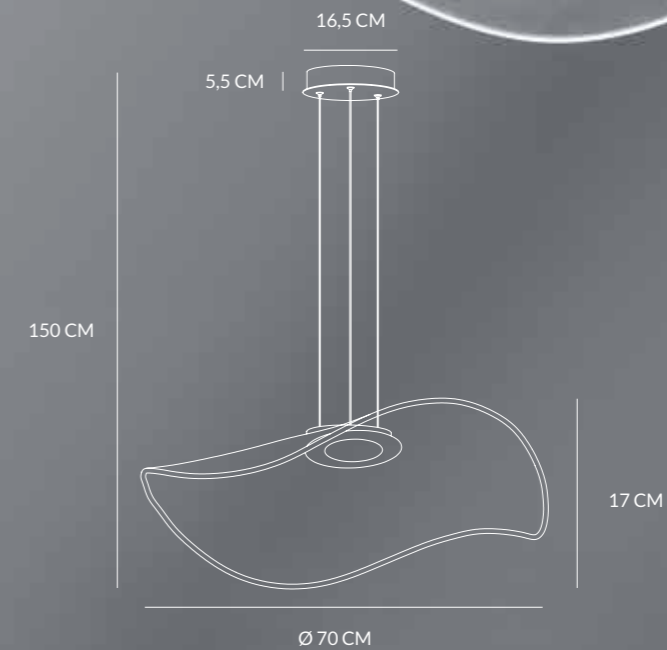
**0076.30.CR**

**CROMO  
CHROME**

KELVIN  
COLOUR TEMPERATURE  
**3.000 K**

LUMEN  
**1.056 LM**

VATTAGGIO  
WATTAGE  
**15 W**



**0076.31.CR**

**CROMO  
CHROME**

KELVIN  
COLOUR TEMPERATURE  
**3.000 K**

LUMEN  
**1.878 LM**

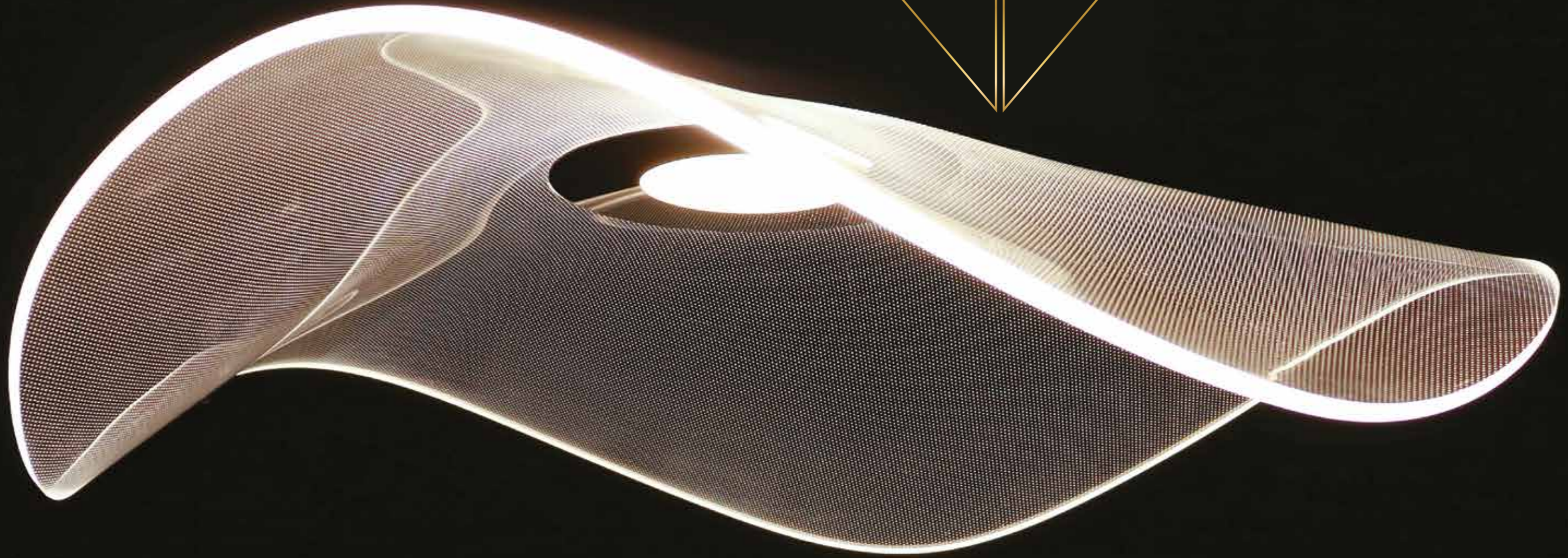
VATTAGGIO  
WATTAGE  
**30 W**





# NEBULA

SOSPENSIONE PENDANT LAMP





LEMSTATION  
KINGFORT  
MYSTERY  
HELIX  
OLYMPIC  
IN&OUT  
BOW  
STICK  
TIPI  
HASHITAG  
SHANG  
CIAK  
LILWAVE  
GALILEO

# ONDA

*L'ONDA si propaga nello spazio attraverso curve e spirali portando morbidamente luce.*

*ONDA - The wave moving through the space bringing light where it needs.*

*ONDA - волна в пространстве рассеивает свет посредством спиралей и мягких форм.*

*Una ONDA se propaga en el espacio formando curvas y espirales, que traen suavemente la luz.*

*ONDA - Propaga-se no espaço por meio de curvas e espirais, trazendo luz suavemente.*

*La ONDA se propage dans l'espace à travers de courbes et de spirales en apportant doucement de la lumière.*

*Die ONDA breitet sich im Raum durch Kurven und Spiralen aus und bringt weiche Licht.*



# LEMSTATION

LAMPADA DA TAVOLO TABLE LAMP



**0075.40.NE**

**NERO  
BLACK**

KELVIN  
COLOUR TEMPERATURE  
**3.000 K**

LUMEN  
**300 LM**

VATTAGGIO  
WATTAGE  
**18 W**

Ø 14,8 cm



49,95 CM

Ø 22 CM

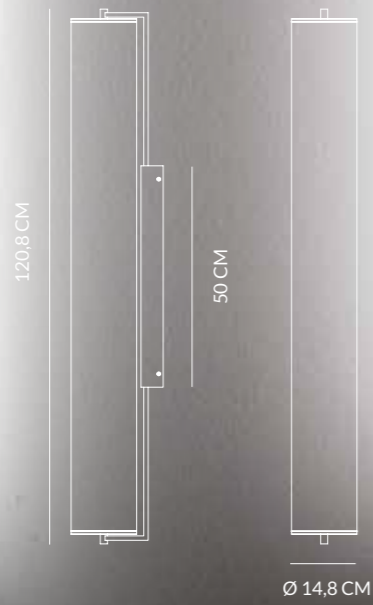


LAMPADA A PARETE  
PLAFONIERA

WALL LAMP  
CEILING LAMP

# LEMSTATION

LAMPADA DA TERRA FLOOR LAMP



**0075.10.NE**  
NERO  
BLACK

KELVIN  
COLOUR TEMPERATURE  
**3.000 K**

LUMEN  
**1.012 LM**

VATTAGGIO  
WATTAGE  
**50 W**



**0075.50.NE**  
NERO  
BLACK

KELVIN  
COLOUR TEMPERATURE  
**3.000 K**

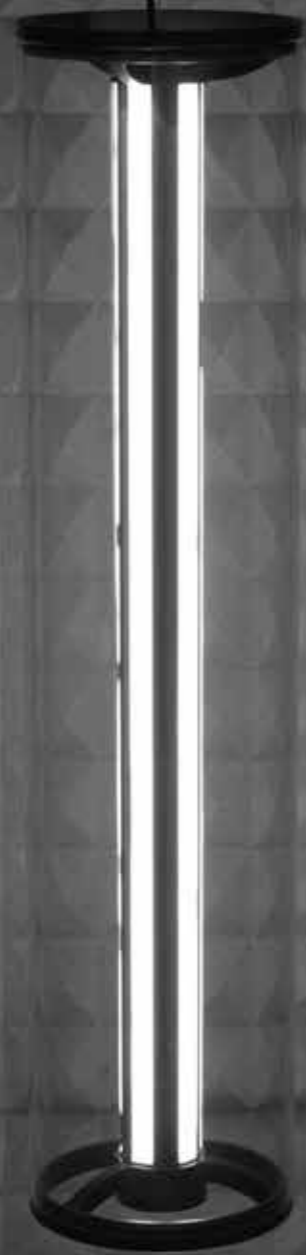
LUMEN  
**1.535 LM**

VATTAGGIO  
WATTAGE  
**48 W**



# LEMSTATION

SOSPENSIONE PENDANT LAMP



**0075.30.NE**

**NERO  
BLACK**

KELVIN  
COLOUR TEMPERATURE  
**3.000 K**

LUMEN  
**825 LM**

VATTAGGIO  
WATTAGE  
**35 W**



Ø 14,8 CM





# LEMSTATION

SOSPENSIONE PENDANT LAMP



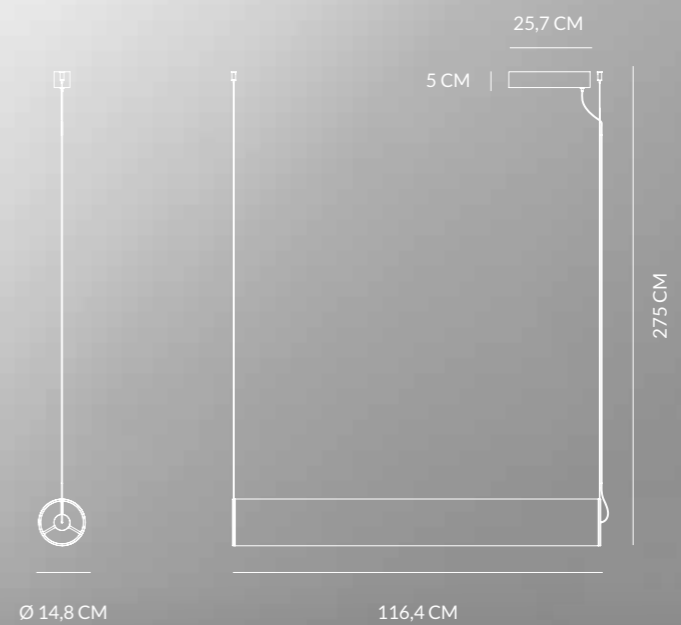
**0075.31.NE**

**NERO  
BLACK**

KELVIN  
COLOUR TEMPERATURE  
**3.000 K**

LUMEN  
**1.076 LM**

VATTAGGIO  
WATTAGE  
**50 W**



# KINGFORT

SOSPENSIONE PENDANT LAMP



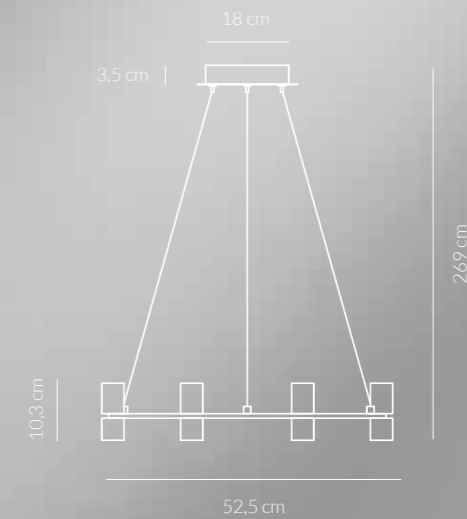
**0085.30.BI**  
BIANCO  
SAND WHITE

**0085.30.NE**  
NERO  
BLACK

KELVIN  
COLOUR TEMPERATURE  
**3.000 K**

LUMEN  
**2.750 LM**

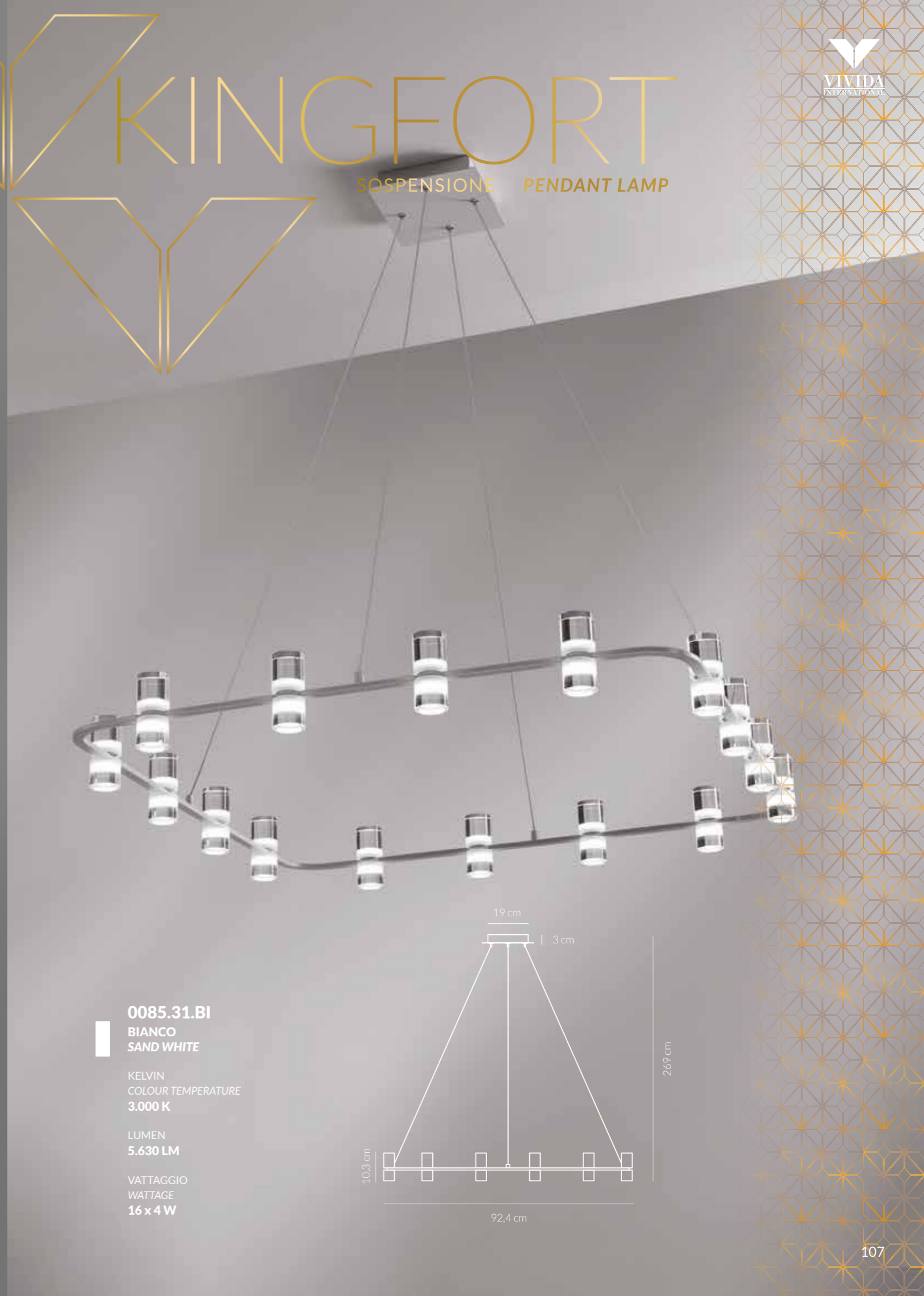
VATTAGGIO  
WATTAGE  
**8 x 4 W**





# KINGFORT

SOSPENSIONE PENDANT LAMP

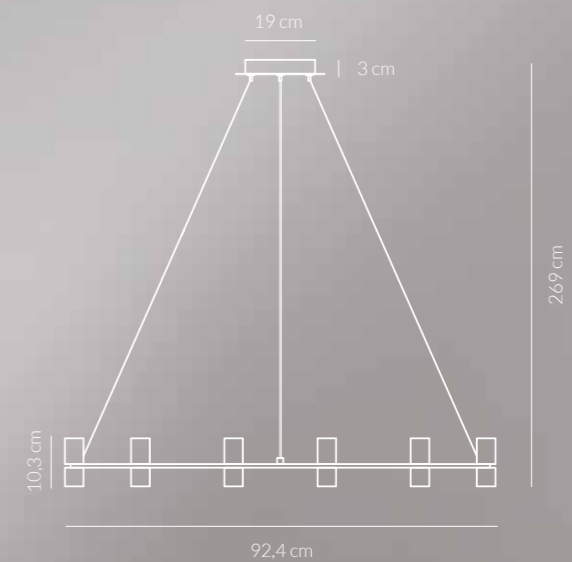


**0085.31.BI**  
BIANCO  
SAND WHITE

KELVIN  
COLOUR TEMPERATURE  
**3.000 K**

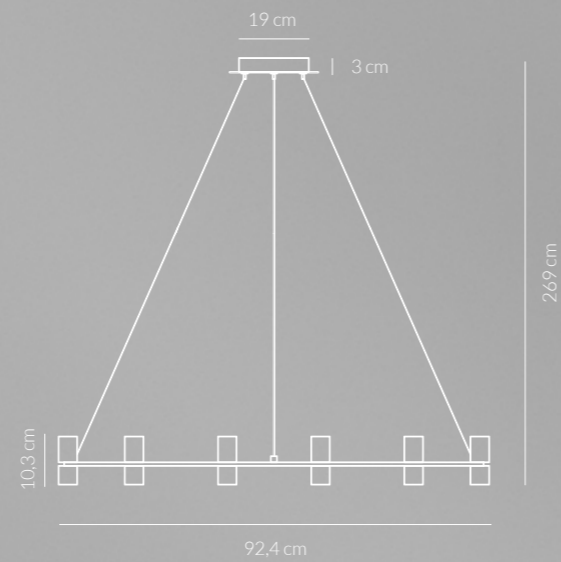
LUMEN  
**5.630 LM**

VATTAGGIO  
WATTAGE  
**16 x 4 W**



# KINGFORT

SOSPENSIONE PENDANT LAMP



**0085.31.NE**

**NERO  
BLACK**

KELVIN  
COLOUR TEMPERATURE  
**3.000 K**

LUMEN  
**5.630 LM**

VATTAGGIO  
WATTAGE  
**16 x 4 W**



# KINGFORT

SOSPENSIONE PENDANT LAMP



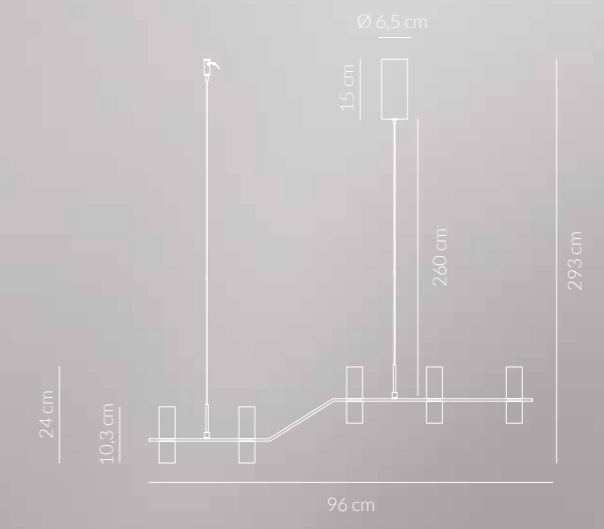
**0084.30.BI**  
BIANCO  
SAND WHITE

**0084.30.NE**  
NERO  
BLACK

KELVIN  
COLOUR TEMPERATURE  
3.000 K

LUMEN  
1.975 LM

VATTAGGIO  
WATTAGE  
5 x 4 W



# MYSTERY

SOSPENSIONE PENDANT LAMP



**0073.30.BI**  
BIANCO  
SAND WHITE

**0073.30.NE**  
NERO  
BLACK

KELVIN  
COLOUR TEMPERATURE  
**3.000 K**

LUMEN  
**480 LM**

VATTAGGIO  
WATTAGE  
**9 W**



**0073.31.BI**  
BIANCO  
SAND WHITE

**0073.31.NE**  
NERO  
BLACK

KELVIN  
COLOUR TEMPERATURE  
**3.000 K**

LUMEN  
**1.080 LM**

VATTAGGIO  
WATTAGE  
**15 W**



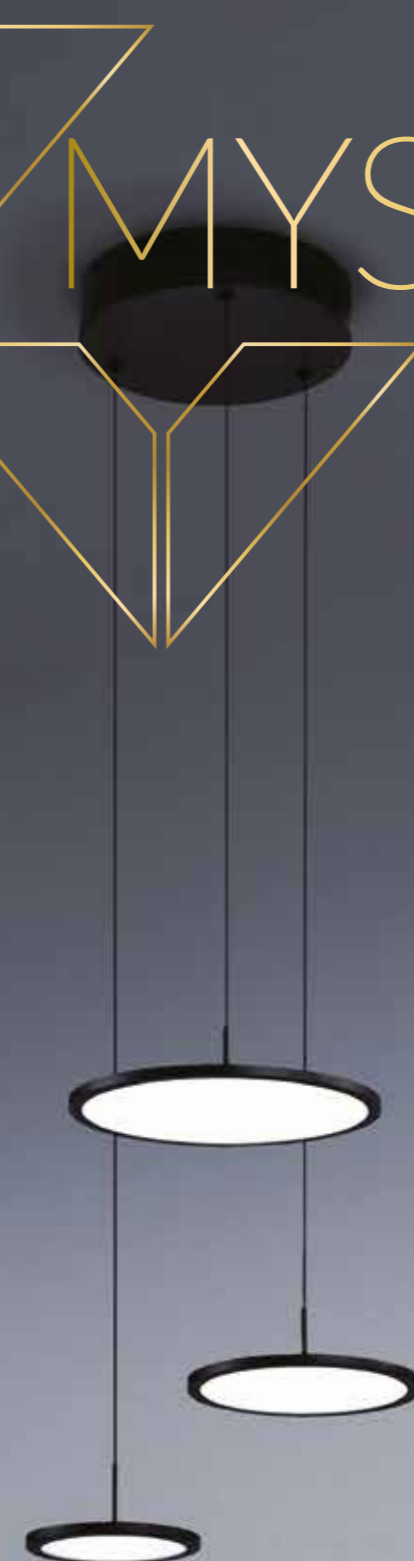
**0073.32.BI**  
BIANCO  
SAND WHITE

**0073.32.NE**  
NERO  
BLACK

KELVIN  
COLOUR TEMPERATURE  
**3.000 K**

LUMEN  
**1.680 LM**

VATTAGGIO  
WATTAGE  
**20 W**



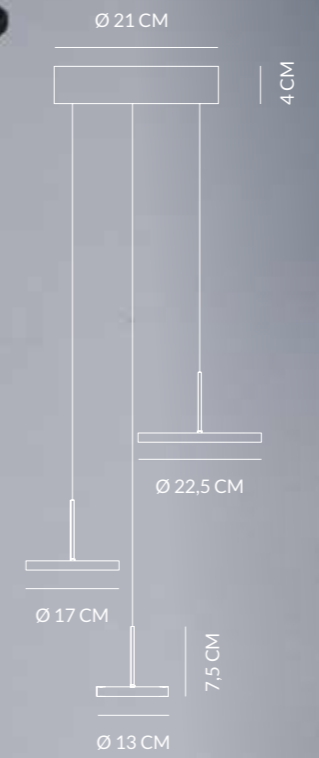
**0073.33.BI**  
BIANCO  
WHITE

**0073.33.NE**  
NERO  
BLACK

KELVIN  
COLOUR TEMPERATURE  
**3.680 K**

LUMEN  
**3.860 LM**

VATTAGGIO  
WATTAGE  
**45 W**



MAX 211,5 CM



# MYSTERY

SOSPENSIONE PENDANT LAMP



ACCESSORI MYSTERY  
MYSTERY ACCESSORY

**NTL0073.34-35.NE**

NERO  
BLACK

**NTL0073.34-35.BI**

BIANCO  
SAND WHITE

KIT NOTTOLINI  
PAWL KIT

NUMERO  
NUMBER  
**3**



**0073.35.BI**

BIANCO  
SAND WHITE

**0073.35.NE**

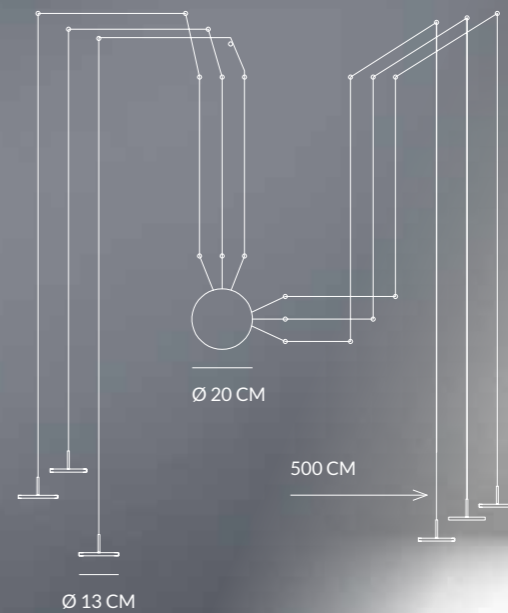
NERO  
BLACK

KELVIN  
COLOUR TEMPERATURE  
**3.000 K**

LUMEN  
**3.860 LM**

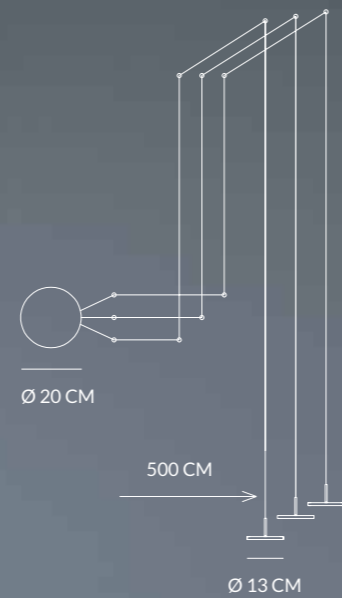
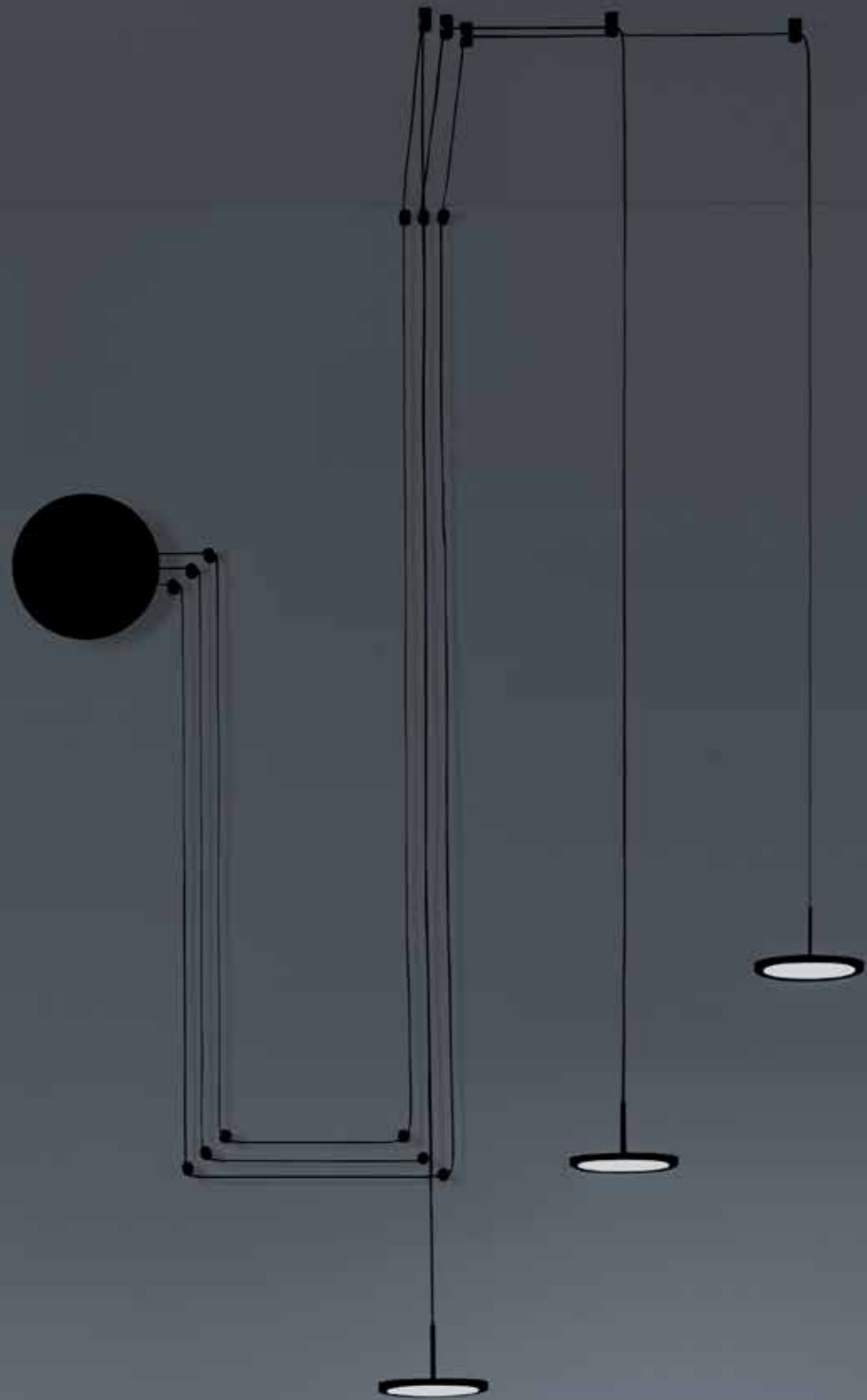
VATTAGGIO  
WATTAGE  
**60 W**

NUMERO NOTTOLINI  
NUMBER OF PAWLS  
**27**



# MYSTERY

SOSPENSIONE PENDANT LAMP



**0073.34.BI**  
 BIANCO  
 SAND WHITE

**0073.34.NE**  
 NERO  
 BLACK

KELVIN  
 COLOUR TEMPERATURE  
**3.000 K**

LUMEN  
**1.880 LM**

VATTAGGIO  
 WATTAGE  
**30 W**

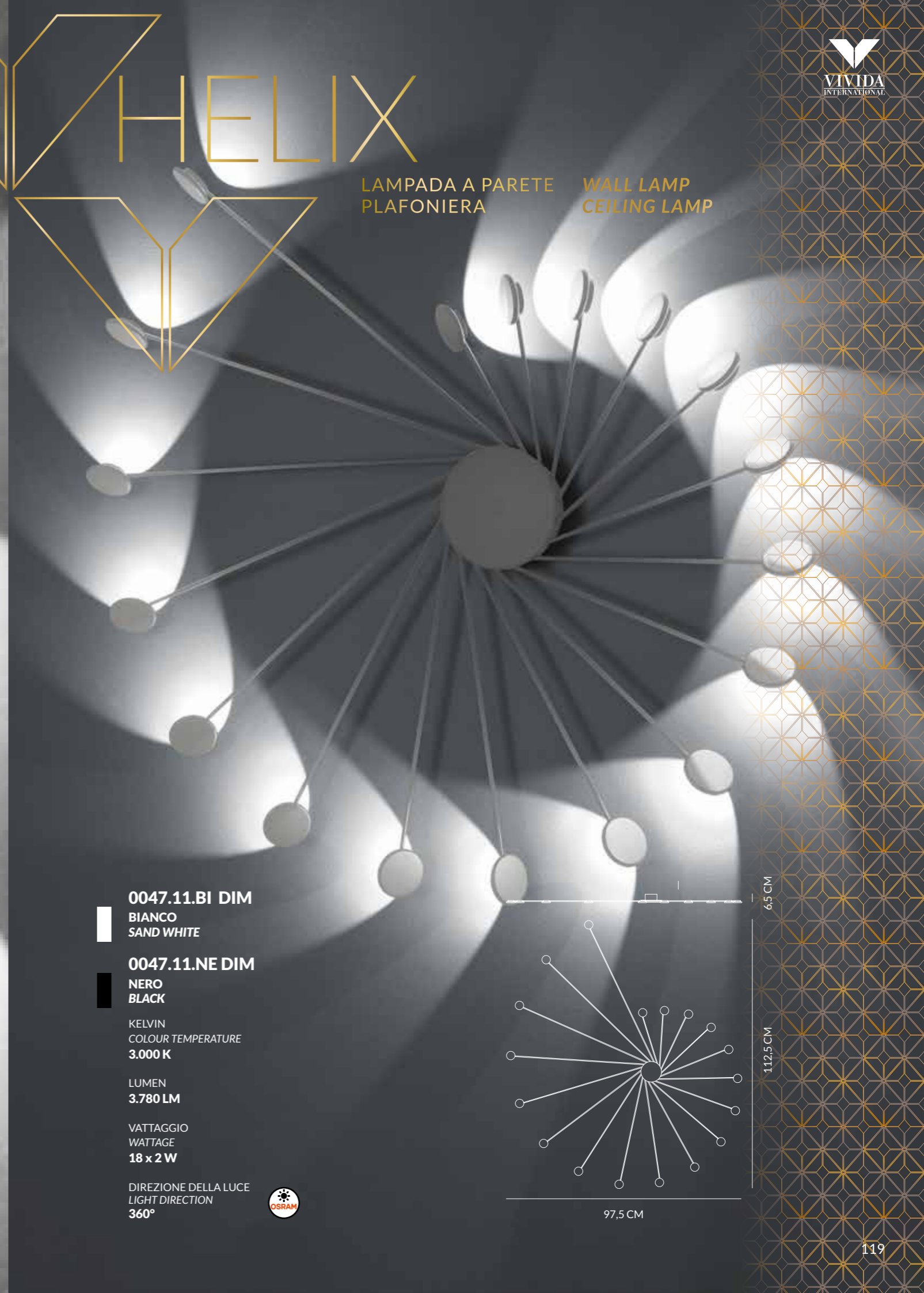
NUMERO NOTTOLINI  
 NUMBER OF PAWLS  
**15**



# HELIX

LAMPADA A PARETE  
PLAFONIERA

WALL LAMP  
CEILING LAMP



**0047.11.BI DIM**  
BIANCO  
SAND WHITE

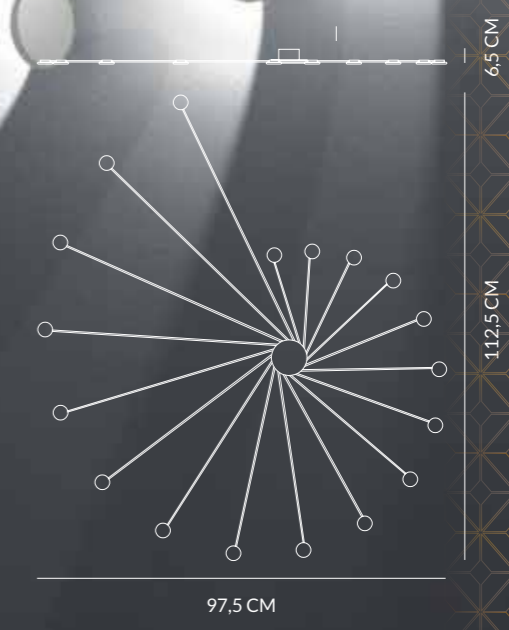
**0047.11.NE DIM**  
NERO  
BLACK

KELVIN  
COLOUR TEMPERATURE  
**3.000 K**

LUMEN  
**3.780 LM**

VATTAGGIO  
WATTAGE  
**18 x 2 W**

DIREZIONE DELLA LUCE  
LIGHT DIRECTION  
**360°**





# HELIX

LAMPADA A PARETE  
PLAFONIERA

WALL LAMP  
CEILING LAMP

0047.10.BI  
BIANCO  
SAND WHITE

0047.10.NE  
NERO  
BLACK

KELVIN  
COLOUR TEMPERATURE  
3.000 K

LUMEN  
2.100 LM

VATTAGGIO  
WATTAGE  
10 x 2 W

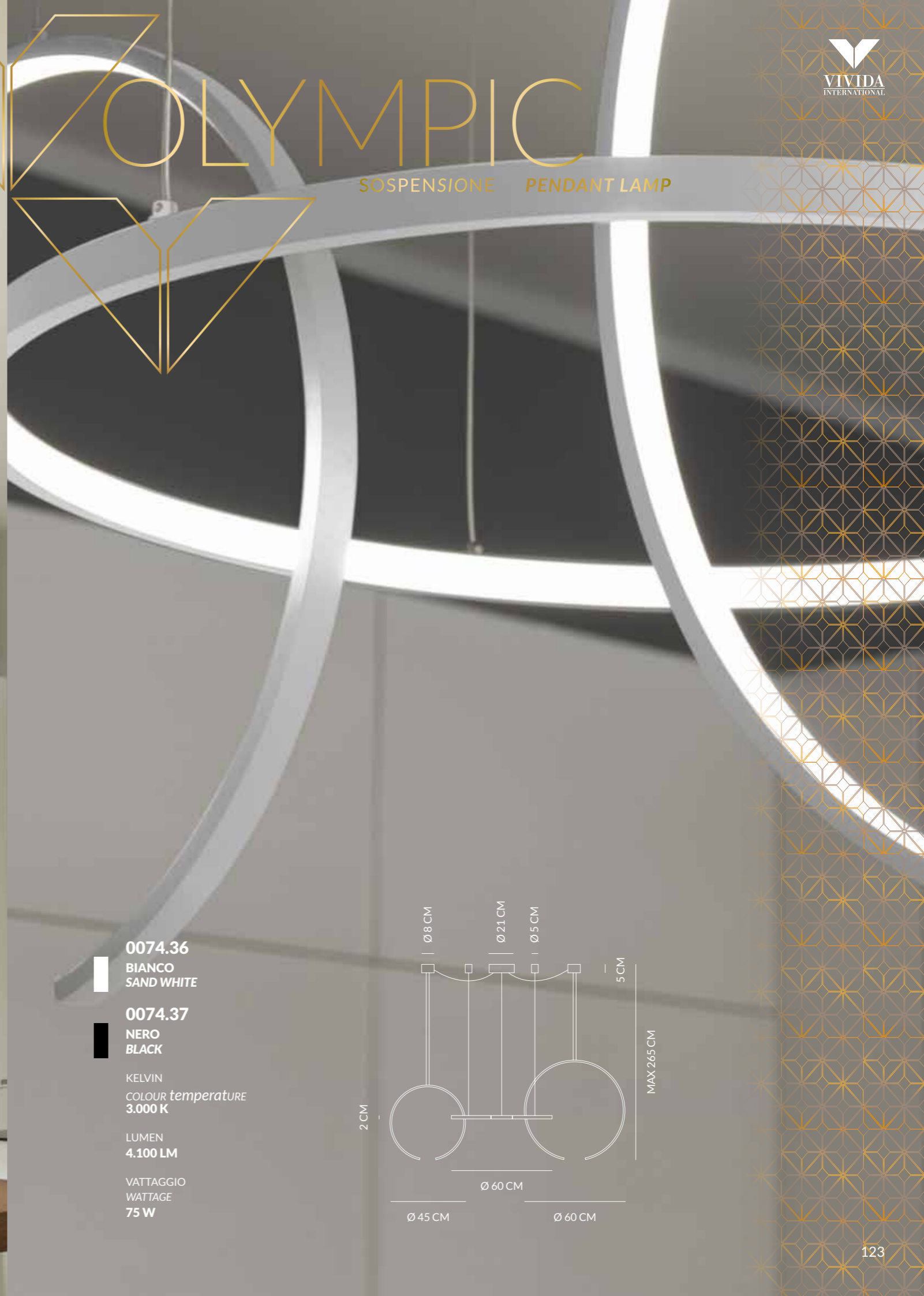
DIREZIONE DELLA LUCE  
LIGHT DIRECTION  
360°





# OLYMPIC

SOSPENSIONE PENDANT LAMP



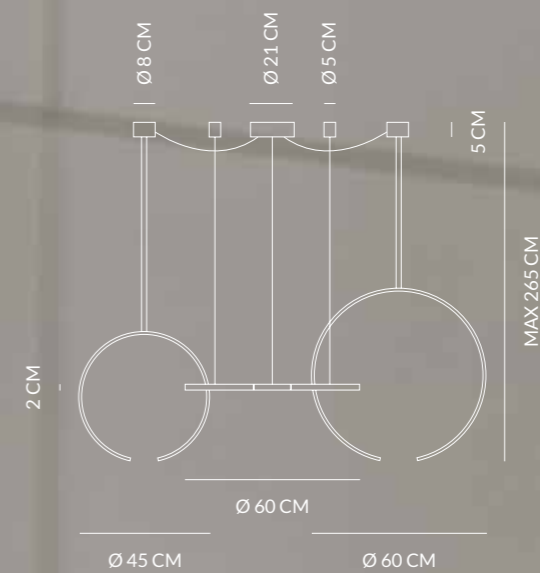
0074.36  
BIANCO  
SAND WHITE

0074.37  
NERO  
BLACK

KELVIN  
COLOUR temperature  
3.000 K

LUMEN  
4.100 LM

VATTAGGIO  
WATTAGE  
75 W



# OLYMPIC

SOSPENSIONE PENDANT LAMP



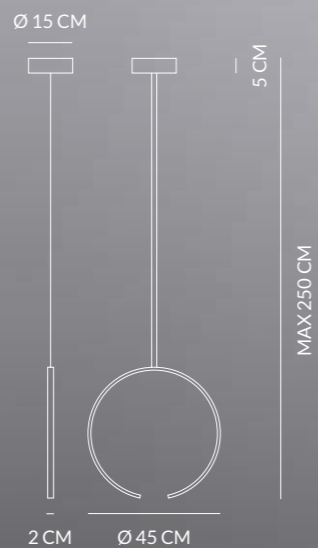
**0074.30**  
 BIANCO  
 SAND WHITE

**0074.31**  
 NERO  
 BLACK

KELVIN  
 COLOUR TEMPERATURE  
 3.000 K

LUMEN  
 1.280 LM

VATTAGGIO  
 WATTAGE  
 25 W



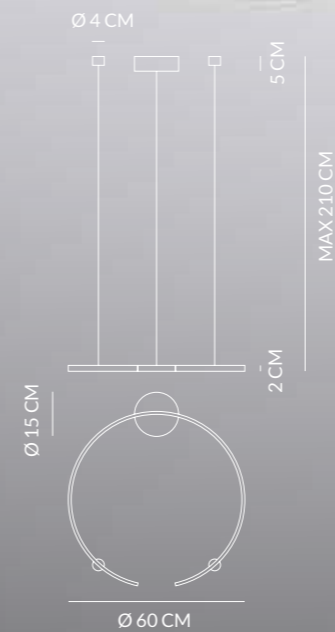
**0074.32**  
 BIANCO  
 SAND WHITE

**0074.33**  
 NERO  
 BLACK

KELVIN  
 COLOUR TEMPERATURE  
 3.000 K

LUMEN  
 1.580 LM

VATTAGGIO  
 WATTAGE  
 30 W



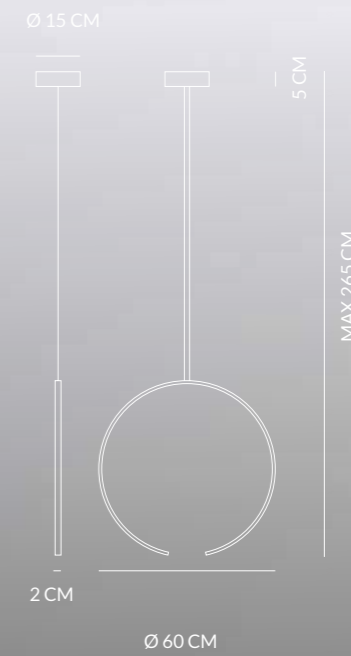
**0074.34**  
 BIANCO  
 SAND WHITE

**0074.35**  
 NERO  
 BLACK

KELVIN  
 COLOUR TEMPERATURE  
 3.000 K

LUMEN  
 1.580 LM

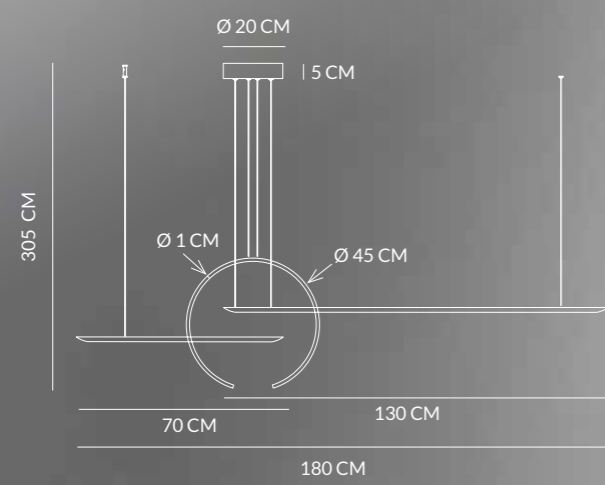
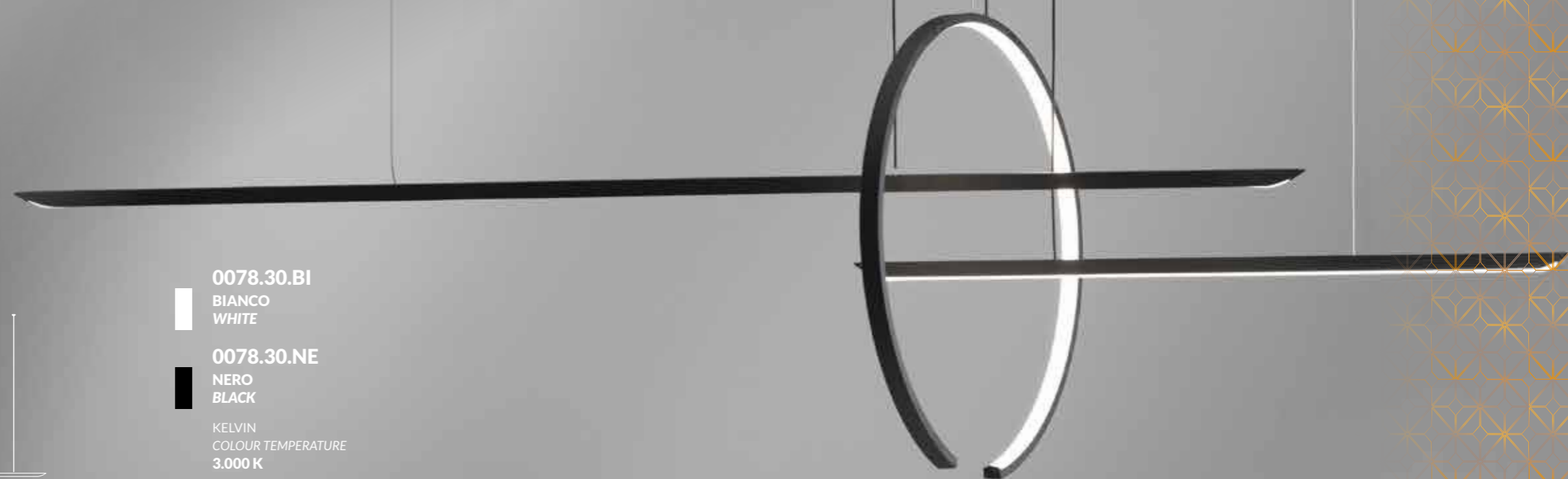
VATTAGGIO  
 WATTAGE  
 30 W





# IN&OUT

SOSPENSIONE PENDANT LAMP



**0078.30.BI**

BIANCO  
WHITE

**0078.30.NE**

NERO  
BLACK

KELVIN  
COLOUR TEMPERATURE  
3.000 K

LUMEN  
2.175 LM

VATTAGGIO  
WATTAGE  
52 W

# BOW

SOSPENSIONE

PENDANT LAMP



**0041.30.BI**

**BIANCO  
WHITE**

**0041.30.NE**

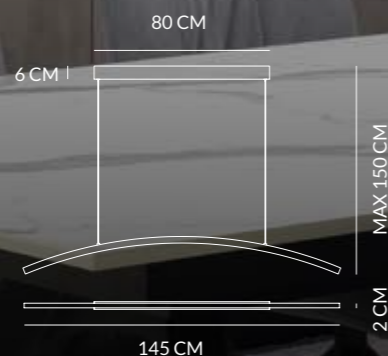
**NERO  
BLACK**

KELVIN  
COLOUR TEMPERATURE  
**3.000 K**

LUMEN  
**2.030 LM**

VATTAGGIO  
WATTAGE  
**30 W**

DIREZIONE DELLA LUCE  
LIGHT DIRECTION  
**INFERIORE  
DOWN**





# BOW

LAMPADA DA TERRA FLOOR LAMP



**0041.50.BI**  
BIANCO  
WHITE

**0041.50.NE**  
NERO  
BLACK

KELVIN  
COLOUR TEMPERATURE  
3.000 K

LUMEN  
2.030 LM

VATTAGGIO  
WATTAGE  
26 W

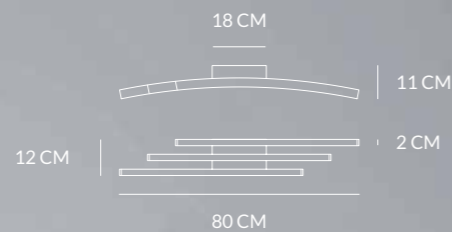
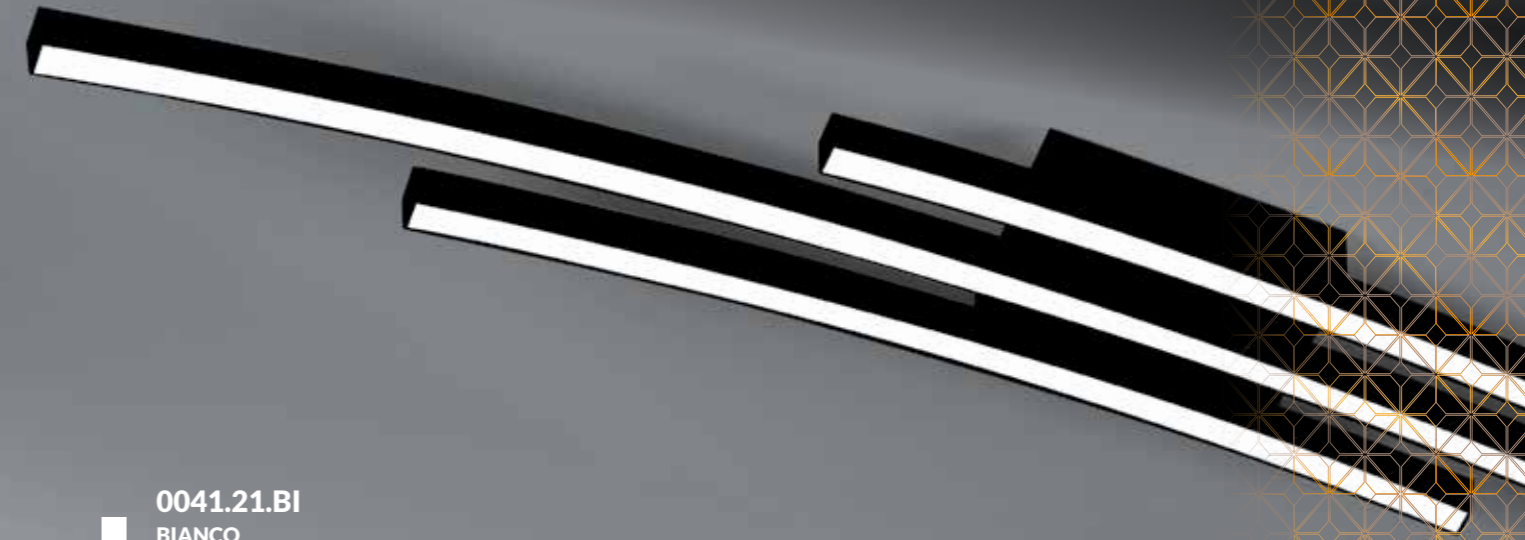




# BOW

LAMPADA A PARETE  
PLAFONIERA

WALL LAMP  
CEILING LAMP



**0041.20.BI**  
BIANCO  
WHITE

**0041.20.NE**  
NERO  
BLACK

KELVIN  
COLOUR TEMPERATURE  
**3.000 K**

LUMEN  
**2.520 LM**

VATTAGGIO  
WATTAGE  
**36 W**

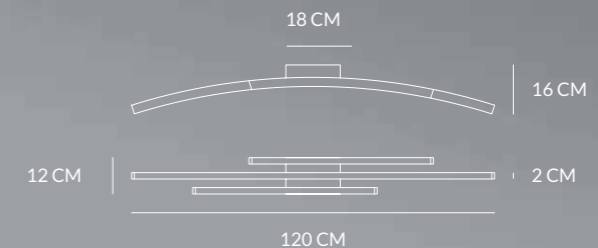
**0041.21.BI**  
BIANCO  
WHITE

**0041.21.NE**  
NERO  
BLACK

KELVIN  
COLOUR TEMPERATURE  
**3.000 K**

LUMEN  
**3.360 LM**

VATTAGGIO  
WATTAGE  
**48 W**

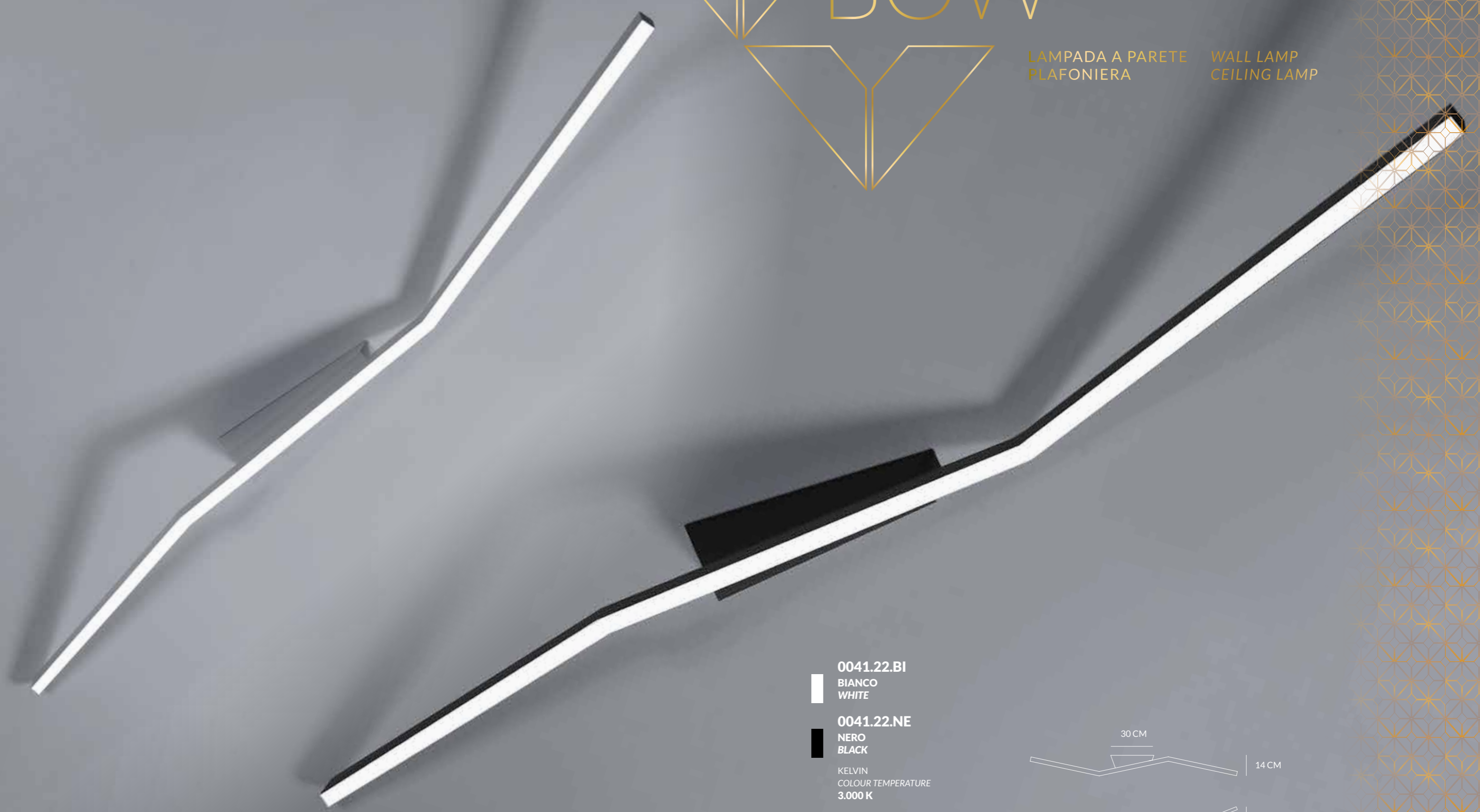




# BOW

LAMPADA A PARETE  
PLAFONIERA

WALL LAMP  
CEILING LAMP



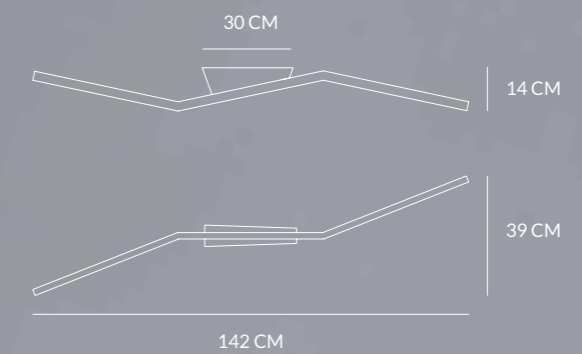
**0041.22.BI**  
BIANCO  
WHITE

**0041.22.NE**  
NERO  
BLACK

KELVIN  
COLOUR TEMPERATURE  
3.000 K

LUMEN  
2.100 LM

VATTAGGIO  
WATTAGE  
30 W



# STICK

LAMPADA A PARETE  
PLAFONIERA

WALL LAMP  
CEILING LAMP



**0049.10**  
**BIANCO**  
**WHITE**

KELVIN  
 COLOUR TEMPERATURE  
**3.000 K**

LUMEN  
**840 LM**

VATTAGGIO  
 WATTAGE  
**10 W**

GRADO DI PROTEZIONE  
 IP RATING  
**IP54**

DIREZIONE DELLA LUCE  
 LIGHT DIRECTION  
**INDIRETTA**  
**INDIRECT LIGHT**





# STICK

LAMPADA A PARETE  
PLAFONIERA

WALL LAMP  
CEILING LAMP



**0050.10**  
BIANCO  
WHITE

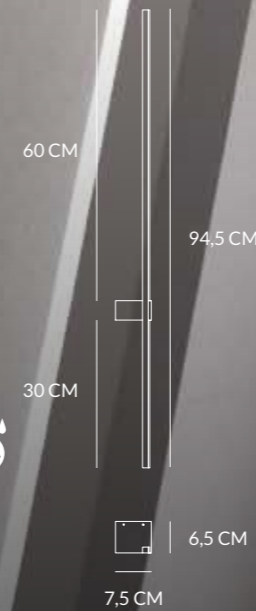
KELVIN  
COLOUR TEMPERATURE  
**3.000 K**

LUMEN  
**840 LM**

VATTAGGIO  
WATTAGE  
**10 W**

GRADO DI PROTEZIONE  
IP RATING  
**IP54**

DIREZIONE DELLA LUCE  
LIGHT DIRECTION  
**LUCE DESTRA**  
RIGHT LIGHT



**0050.11**  
BIANCO  
WHITE

KELVIN  
COLOUR TEMPERATURE  
**3.000 K**

LUMEN  
**840 LM**

VATTAGGIO  
WATTAGE  
**10 W**

GRADO DI PROTEZIONE  
IP RATING  
**IP54**

DIREZIONE DELLA LUCE  
LIGHT DIRECTION  
**LUCE SINISTRA**  
LEFT LIGHT

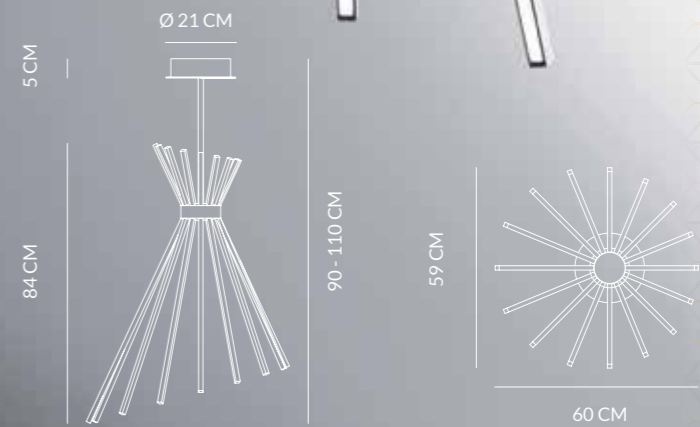


# TIPI

SOSPENSIONE PENDANT LAMP



**0045.30**  
**NERO**  
**BLACK**  
  
KELVIN  
COLOUR TEMPERATURE  
**3.000 K**  
  
LUMEN  
**9.240 LM**  
  
VATTAGGIO  
WATTAGE  
**107 W**

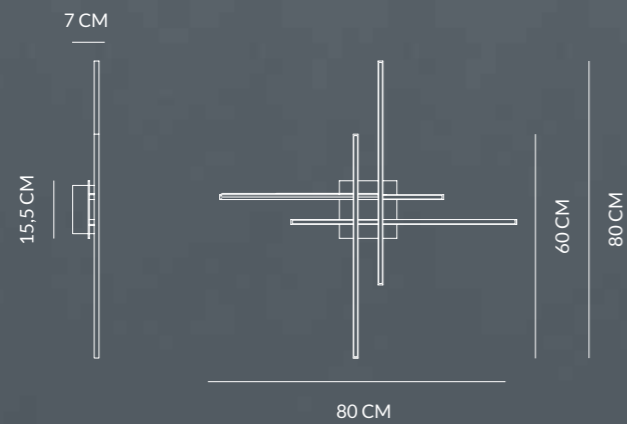
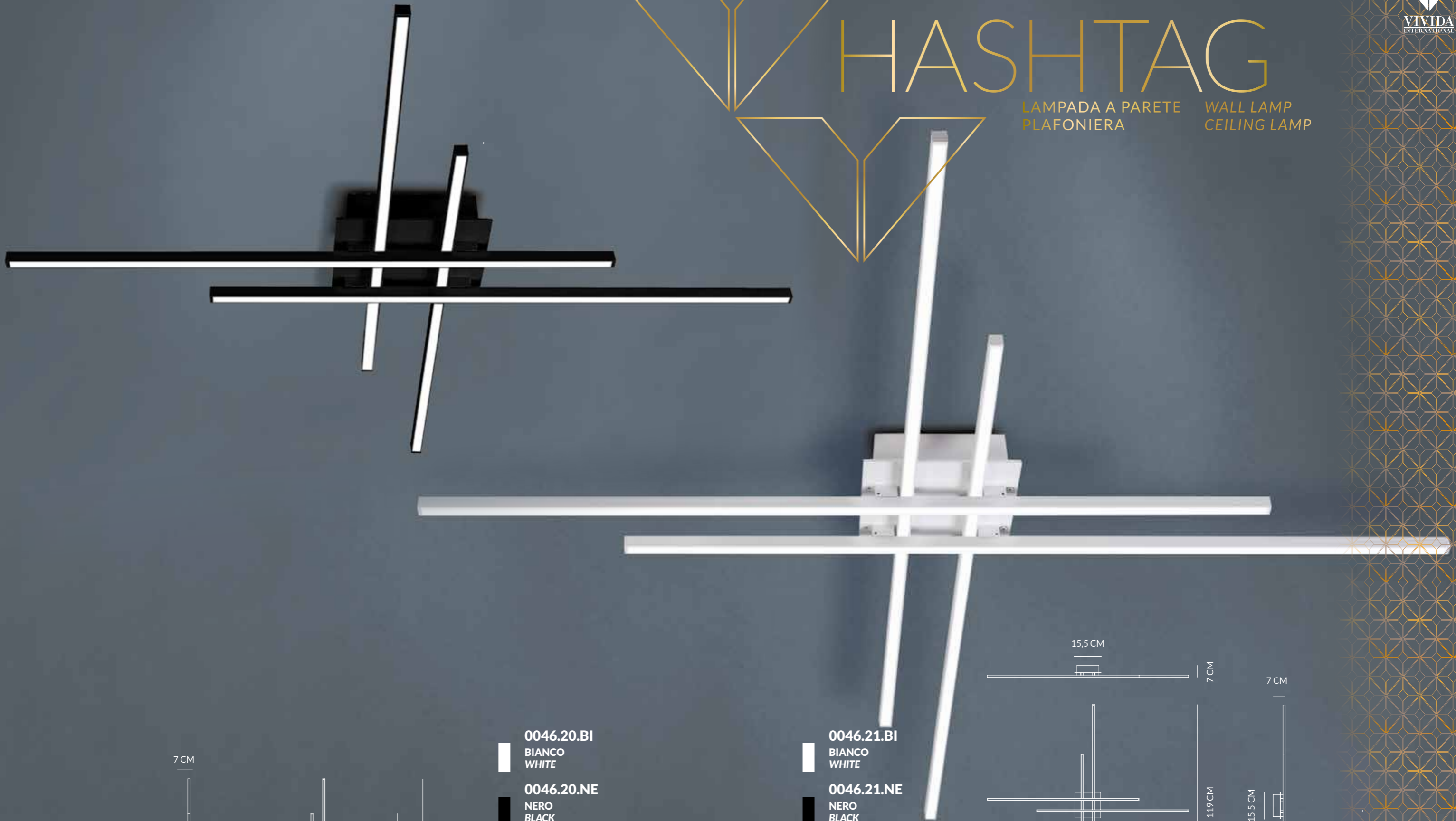




# HASHTAG

LAMPADA A PARETE  
PLAFONIERA

WALL LAMP  
CEILING LAMP



**0046.20.BI**  
BIANCO  
WHITE

**0046.20.NE**  
NERO  
BLACK

KELVIN  
COLOUR TEMPERATURE  
**3.000 K**

LUMEN  
**3.780 LM**

VATTAGGIO  
WATTAGE  
**42 W**

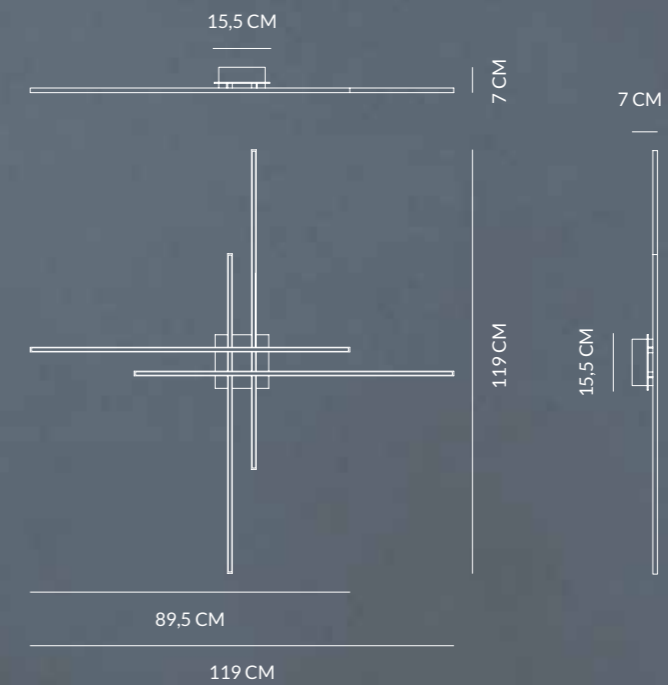
**0046.21.BI**  
BIANCO  
WHITE

**0046.21.NE**  
NERO  
BLACK

KELVIN  
COLOUR TEMPERATURE  
**3.000 K**

LUMEN  
**5.040 LM**

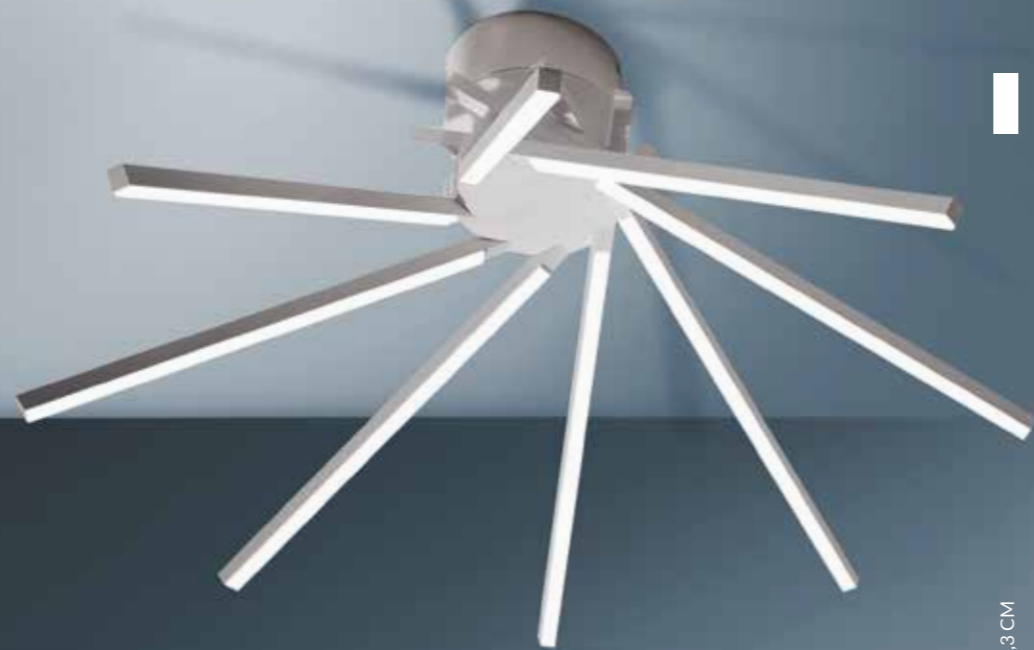
VATTAGGIO  
WATTAGE  
**56 W**



# SHANG

SOSPENSIONE  
PLAFONIERA

PENDANT LAMP  
CEILING LAMP



**0026.20**

**BIANCO  
WHITE**

KELVIN  
COLOUR TEMPERATURE  
**3.000 K**

LUMEN  
**2.100 LM**

VATTAGGIO  
WATTAGE  
**21 W**



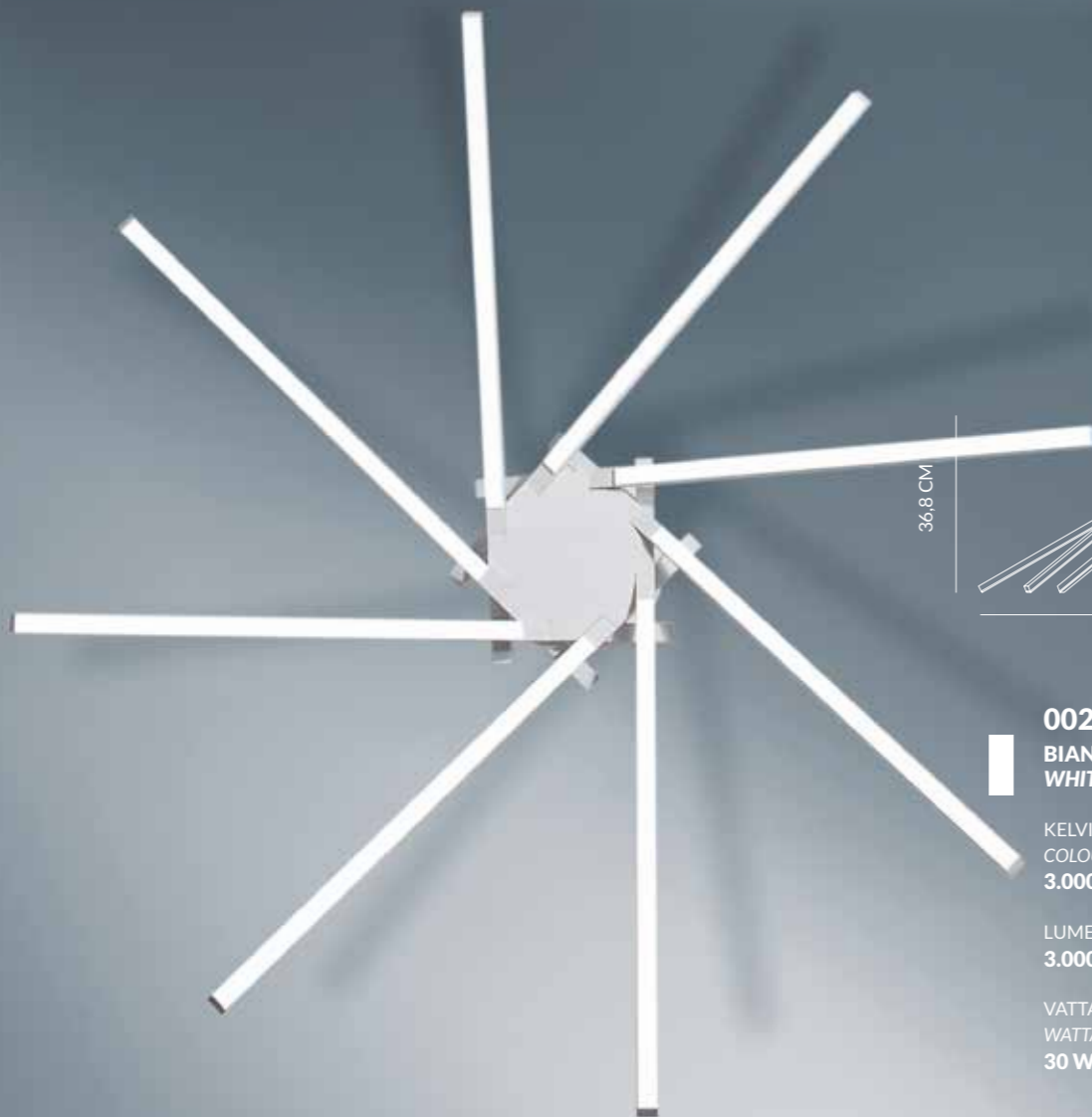
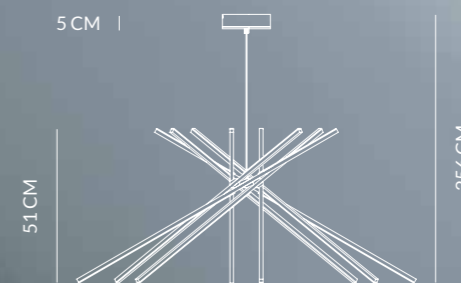
**0026.32**

**BIANCO  
WHITE**

KELVIN  
COLOUR TEMPERATURE  
**3.000 K**

LUMEN  
**5.000 LM**

VATTAGGIO  
WATTAGE  
**54 W**



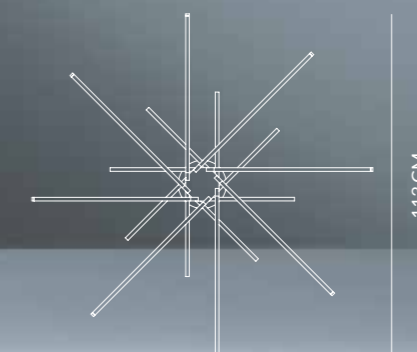
**0026.21**

**BIANCO  
WHITE**

KELVIN  
COLOUR TEMPERATURE  
**3.000 K**

LUMEN  
**3.000 LM**

VATTAGGIO  
WATTAGE  
**30 W**

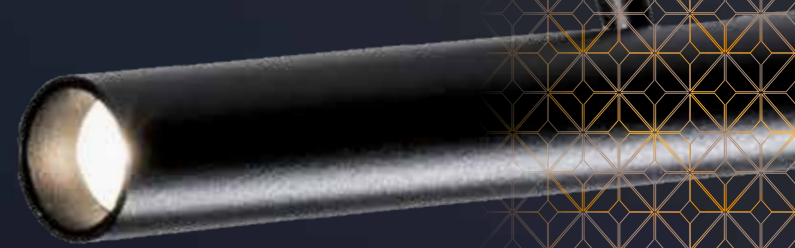




# VIVIDA CIAK

LAMPADA A PARETE  
PLAFONIERA

WALL LAMP  
CEILING LAMP



**0048.10**  
**NERO**  
**BLACK**

KELVIN  
COLOUR TEMPERATURE  
**3.000 K**

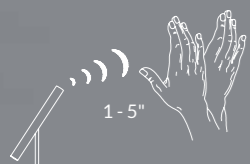
LUMEN  
**525 LM**

VATTAGGIO  
WATTAGE  
**6 W**



# CIAM

LAMPADA DA TERRA FLOOR LAMP



**Direzioni dimmerabili:**  
 1 - Accendi o spegni la lampada spostando le mani davanti al sensore.  
 2 - Regola l'intensità luminosa tenendo la mano ferma davanti al sensore per alcuni secondi.

**Dimmable directions:**  
 1 - Turn on or turn off the lamp by moving your hands in front of the sensor.  
 2 - Dim or brighten the lamp by keeping your hand still in front of the sensor for seconds.



**0048.50 DIM**  
**NERO**  
**BLACK**

KELVIN  
 COLOUR TEMPERATURE  
**3.000 K**

LUMEN  
**735 LM**

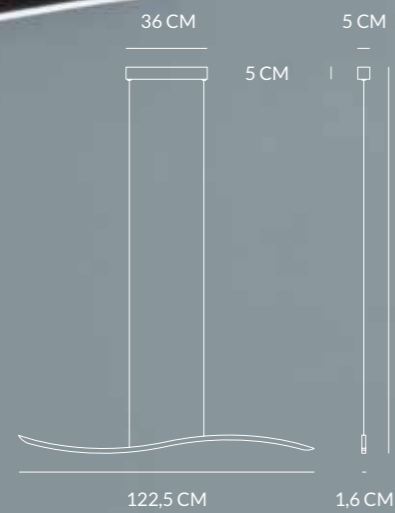
VATTAGGIO  
 WATTAGE  
**8,5 W**  
**DIMMERABILE**  
**DIMMABLE**





# LIL WAVE

SOSPENSIONE PENDANT LAMP



**0040.30**  
**BIANCO**  
**WHITE**

**0040.31**  
**NERO**  
**BLACK**  
 KELVIN  
 COLOUR TEMPERATURE  
**3.000 K**

LUME  
**1.680 LM**

VATTAGGIO  
 WATTAGE  
**30 W**

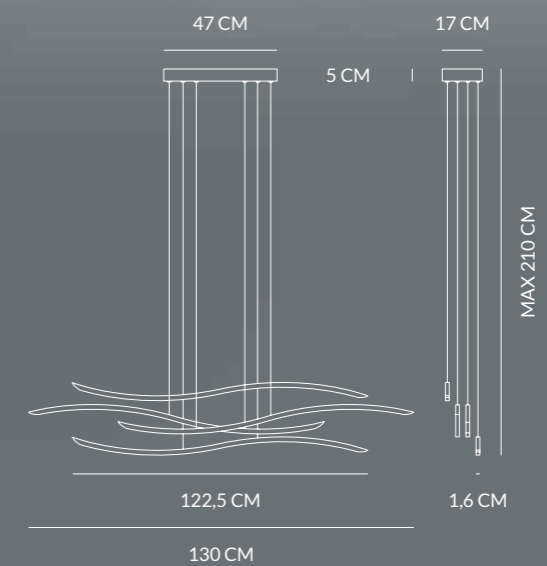
**0040.32 DIM**  
**BIANCO**  
**WHITE**

**0040.33 DIM**  
**NERO**  
**BLACK**  
 KELVIN  
 COLOUR TEMPERATURE  
**3.000 K**

LUMEN  
**4.860 LM**

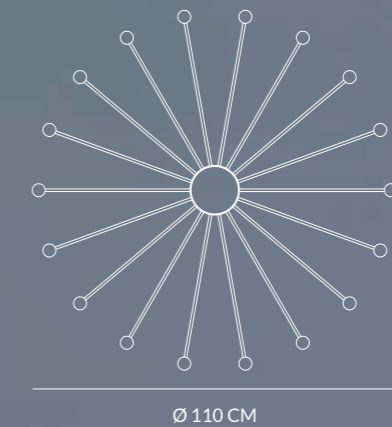
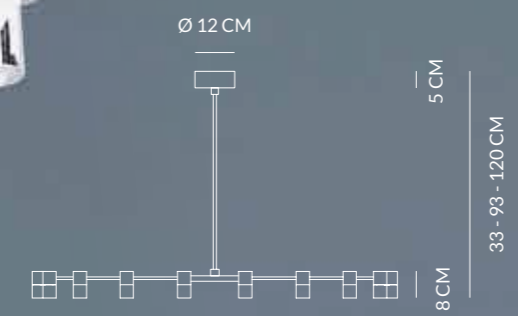
VATTAGGIO  
 WATTAGE  
**80 W**

**DIMMERABILE**  
**DIMMABLE**



# GALILEO

SOSPENSIONE PENDANT LAMP



**0051.30**

**NERO  
BLACK**

KELVIN  
COLOUR TEMPERATURE  
**3.000 K**

LUMEN  
**3.600 LM**

VATTAGGIO  
WATTAGE  
**18 x 2 W**





# GALILEO

SOSPENSIONE PENDANT LAMP



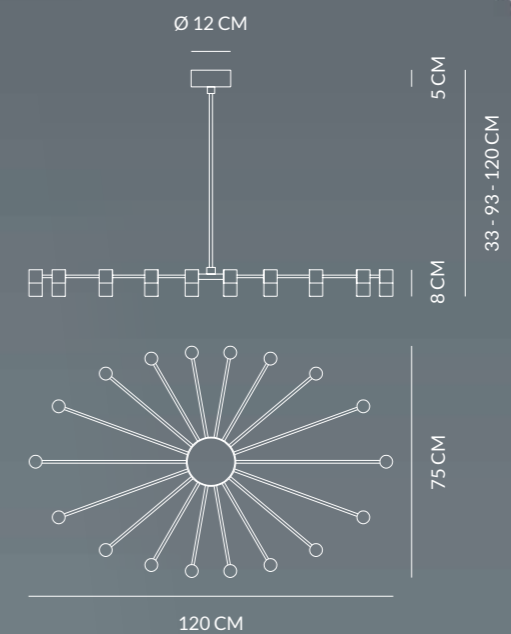
**0051.31**

**NERO  
BLACK**

KELVIN  
COLOUR TEMPERATURE  
**3.000 K**

LUMEN  
**3.600 LM**

VATTAGGIO  
WATTAGE  
**18 x 2 W**





# CINETICO

CIRCUIT  
CLOVER

CURLS

FLAME

LENS

RIBBON

RINGS

SPIRAL

BRACKET

HURRICANE

*CINETICO e leggero il modo di arredare delle forme concentriche che volano nello spazio con la loro luce.*

*CINETICO - circles, curls and flames lighting up the atmosphere.*

*CINETICO - круги, спирали и завитки освещают атмосферу.*

*CINETICO - Dinámico y ligero es la forma de amueblar formas concéntricas que vuelan el espacio con su luz.*

*CINETICO - várias formas que iluminam toda a atmosfera.*

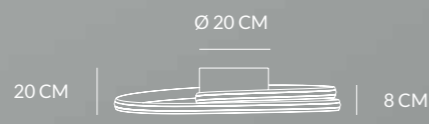
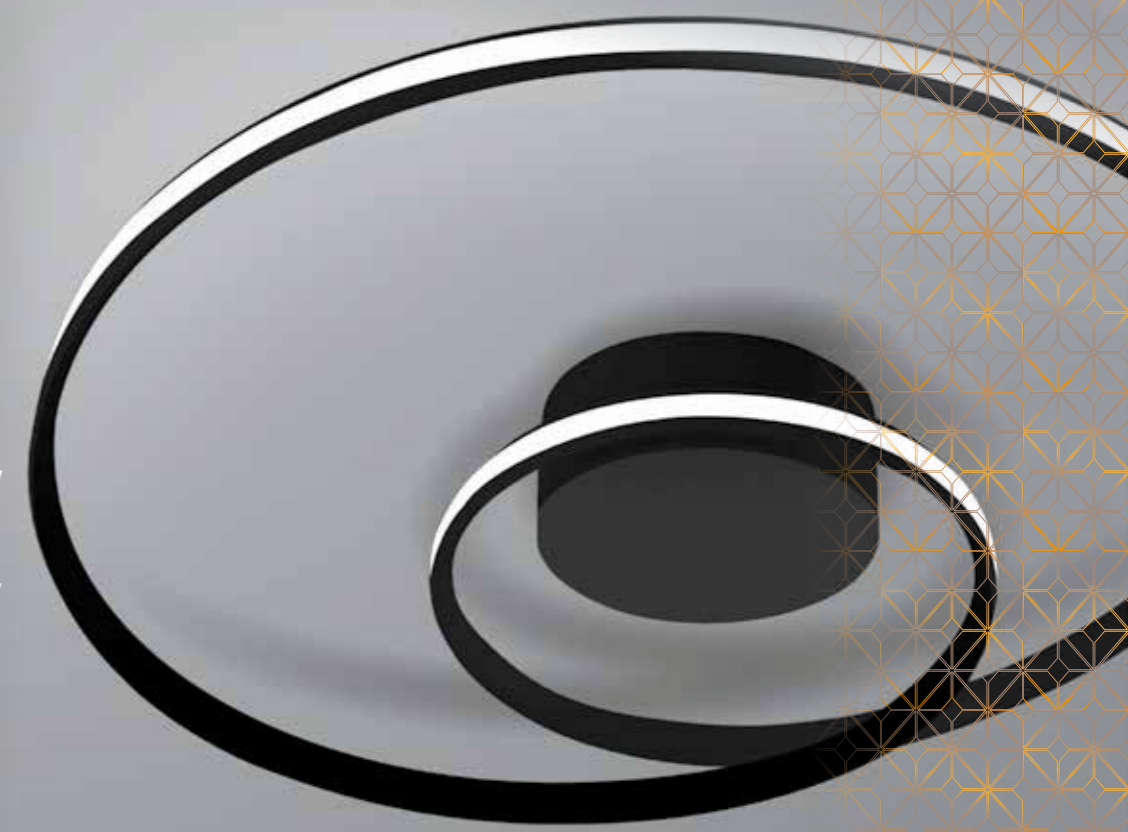
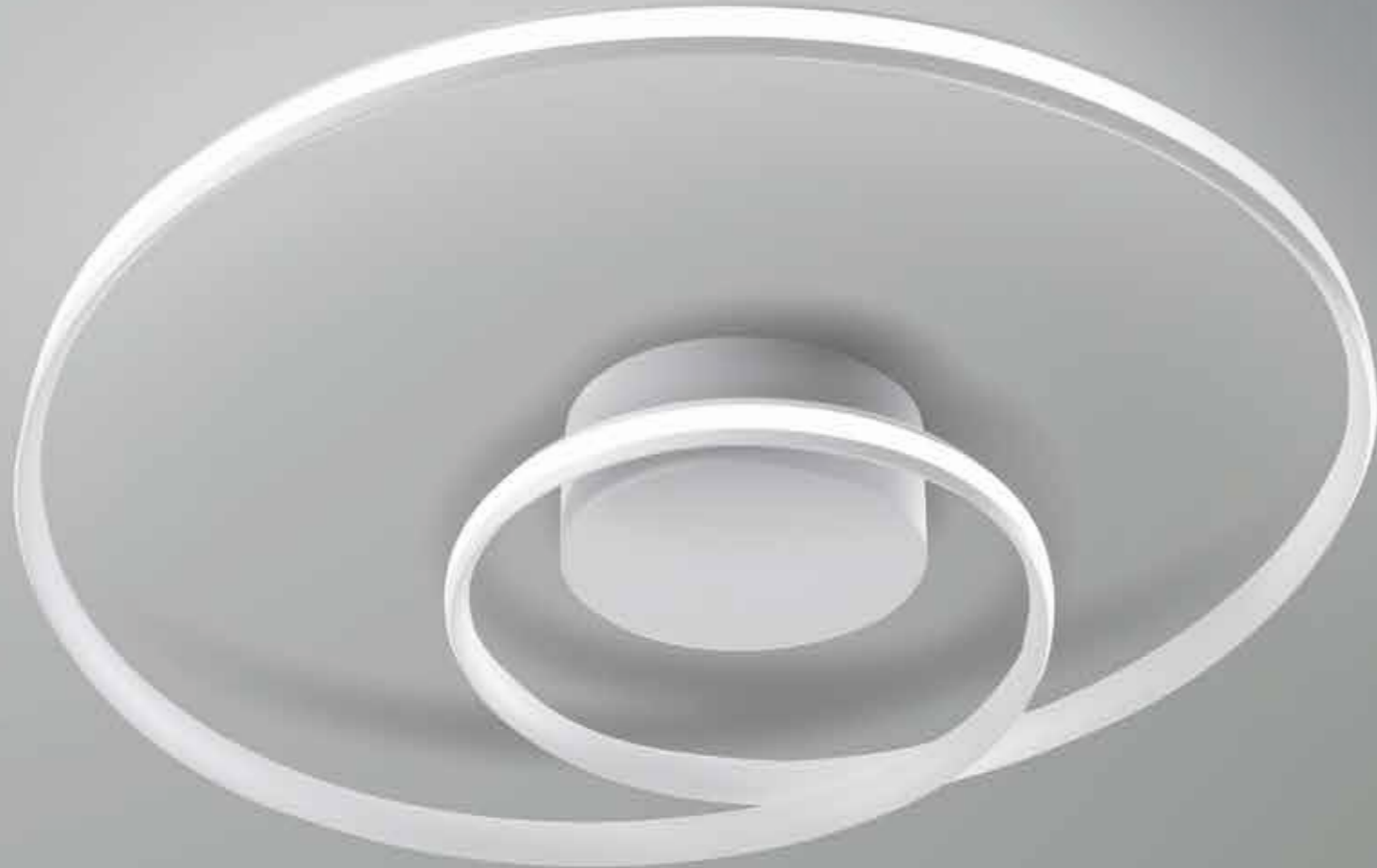
*CINETICO et légère la façon de décorer des formes concentriques qui volent dans l'espace avec leur lumière.*

*CINETICO und leicht ist der Weg der konzentrischen Formen einzurichten, die mit ihrem Licht im Raum fliegen.*



# CIRCUIT

PLAFONIERA CEILING LAMP



**0032.20.BI DIM N**  
BIANCO  
WHITE

KELVIN  
COLOUR TEMPERATURE  
**4.000 K**

LUMEN  
**2.700 LM**

VATTAGGIO  
WATTAGE  
**40 W**

**DIMMERABILE  
DIMMABLE**



**0032.20.BI DIM W**  
BIANCO  
WHITE

**0032.20.NE DIM W**  
NERO  
BLACK

**0032.20.SA DIM W**  
SABBIA  
SAND

KELVIN  
COLOUR TEMPERATURE  
**3.000 K**

LUMEN  
**2.500 LM**

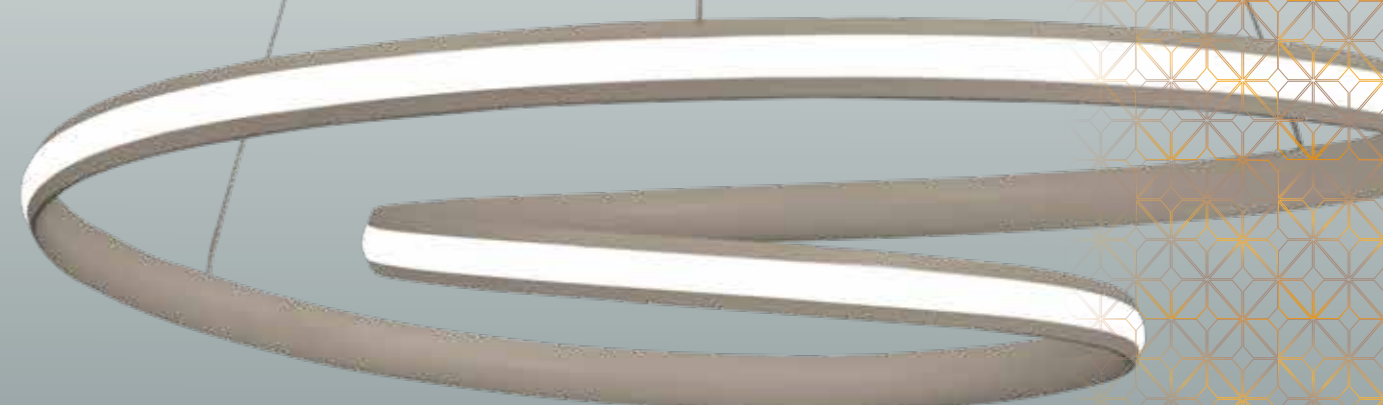
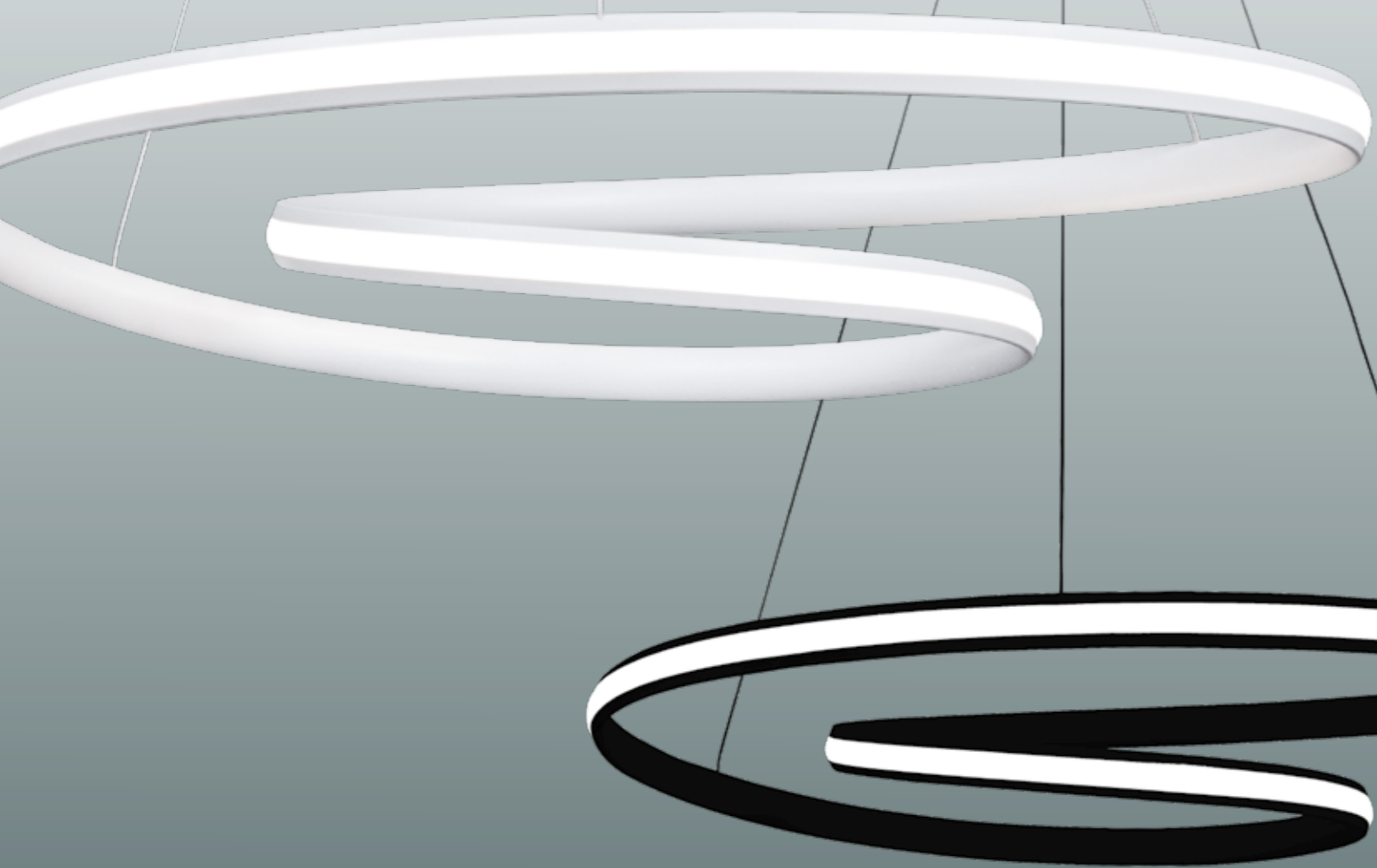
VATTAGGIO  
WATTAGE  
**40 W**

**DIMMERABILE  
DIMMABLE**



# CIRCUIT

SOSPENSIONE PENDANT LAMP



**0032.30.BI DIM N**  
 BIANCO  
 WHITE

KELVIN  
 COLOUR TEMPERATURE  
**4.000 K**

LUMEN  
**2.700 LM**

VATTAGGIO  
 WATTAGE  
**40 W**

**DIMMERABILE  
 DIMMABLE**



**0032.30.BI DIM W**  
 BIANCO  
 WHITE

**0032.30.NE DIM W**  
 NERO  
 BLACK

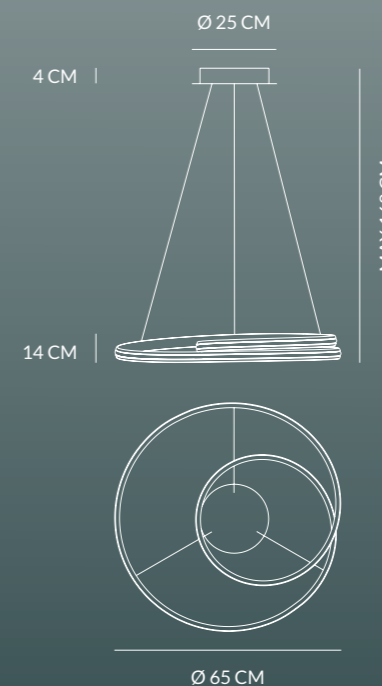
**0032.30.SA DIM W**  
 SABBIA  
 SAND

KELVIN  
 COLOUR TEMPERATURE  
**3.000 K**

LUMEN  
**2.500 LM**

VATTAGGIO  
 WATTAGE  
**40 W**

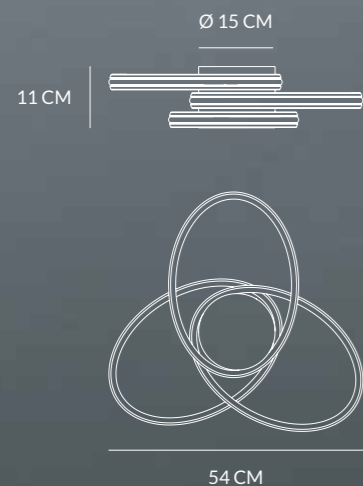
**DIMMERABILE  
 DIMMABLE**





# Y CLOVER

PLAFONIERA CEILING LAMP



**0031.20 W**  
BIANCO  
WHITE

KELVIN  
COLOUR TEMPERATURE  
**3.000 K**

LUMEN  
**2.000 LM**

VATTAGGIO  
WATTAGE  
**33 W**

**0031.20 N**  
BIANCO  
WHITE

KELVIN  
COLOUR TEMPERATURE  
**4.000 K**

LUMEN  
**2.160 LM**

VATTAGGIO  
WATTAGE  
**33 W**

**0031.21 DIM W**  
BIANCO  
WHITE

KELVIN  
COLOUR TEMPERATURE  
**3.000 K**

LUMEN  
**2.900 LM**

VATTAGGIO  
WATTAGE  
**47 W**

**DIMMERABILE**  
**DIMMABLE**



**0031.21 DIM N**  
BIANCO  
WHITE

KELVIN  
COLOUR TEMPERATURE  
**4.000 K**

LUMEN  
**3.132 LM**

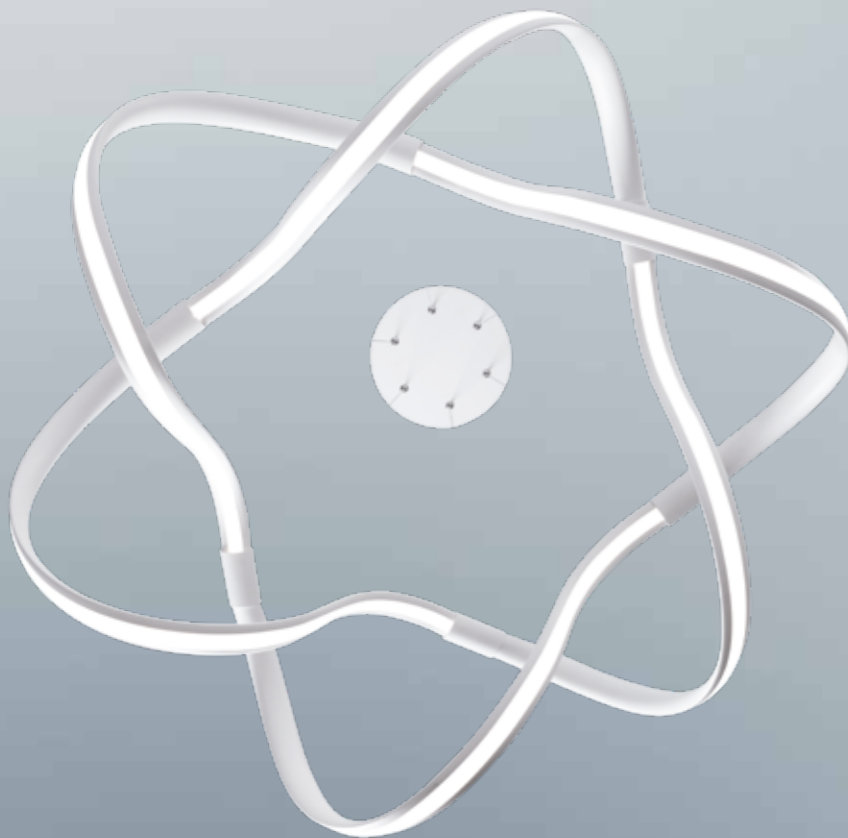
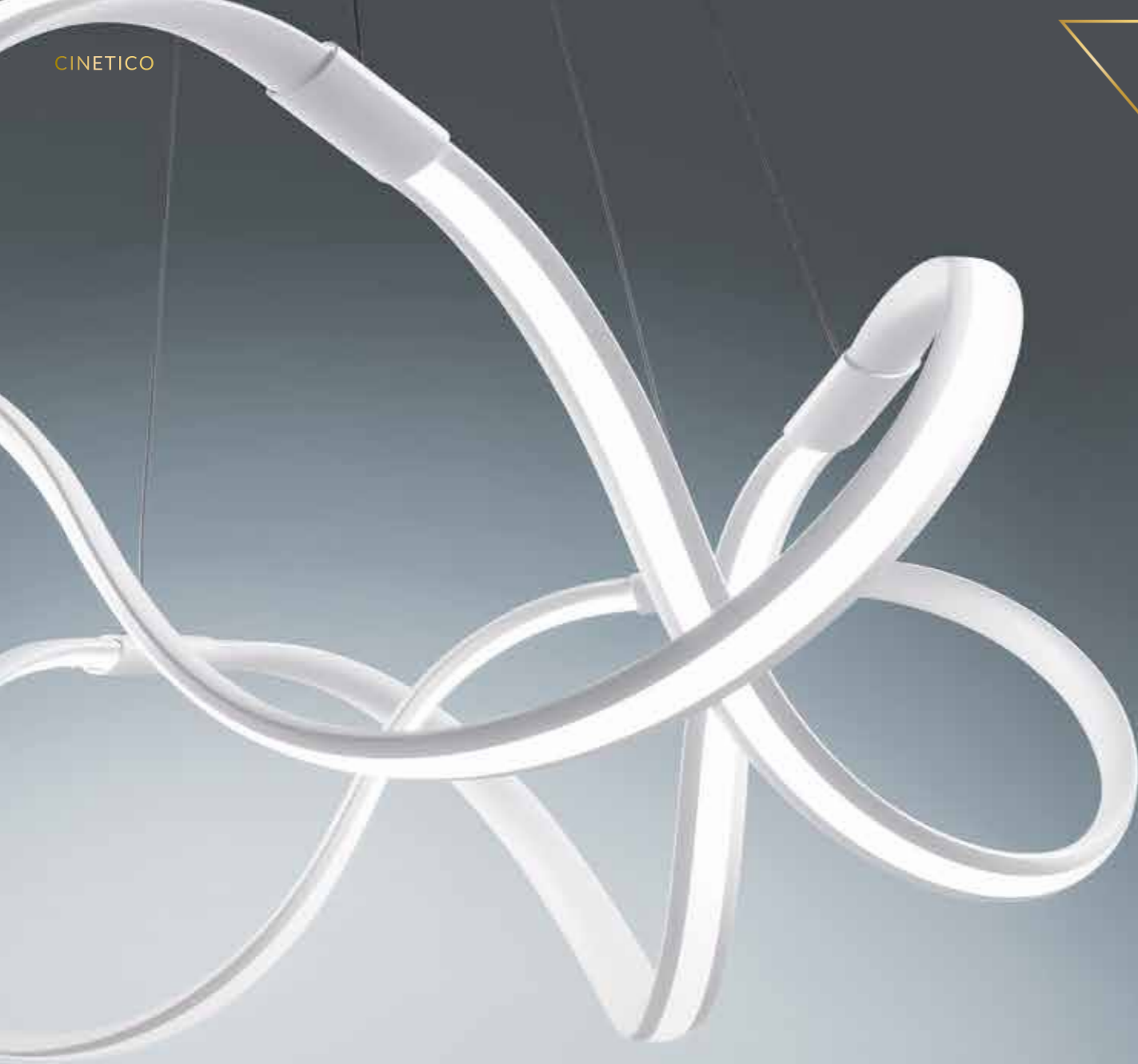
VATTAGGIO  
WATTAGE  
**47 W**

**DIMMERABILE**  
**DIMMABLE**



# CURLS

SOSPENSIONE PENDANT LAMP



### 0034.30 DIM W

BIANCO  
WHITE

KELVIN  
COLOUR TEMPERATURE  
3.000 K

LUMEN  
3.600 LM

VATTAGGIO  
WATTAGE  
60 W

DIMMERABILE  
DIMMABLE



### 0034.30 DIM N

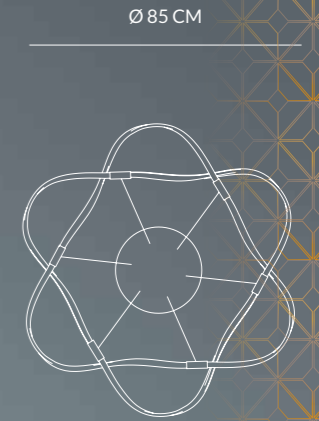
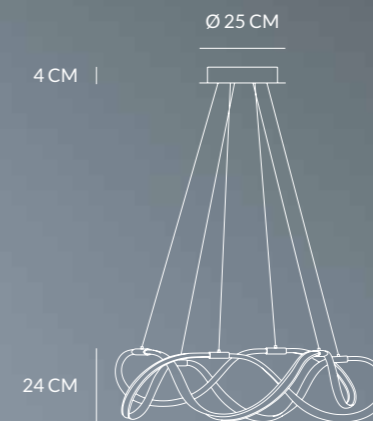
BIANCO  
WHITE

KELVIN  
COLOUR TEMPERATURE  
4.000 K

LUMEN  
3.888 LM

VATTAGGIO  
WATTAGE  
60 W

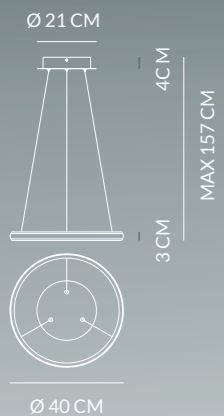
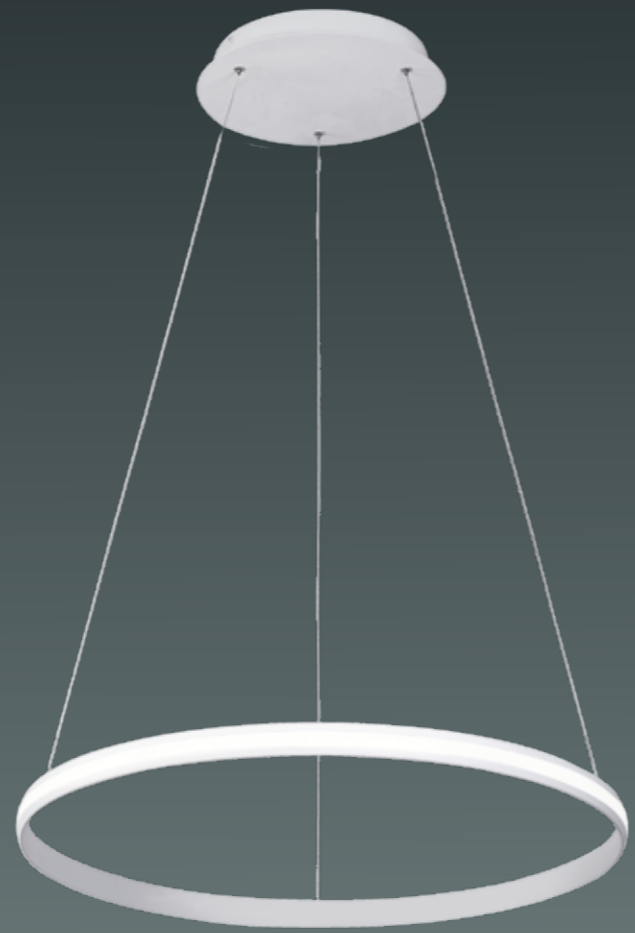
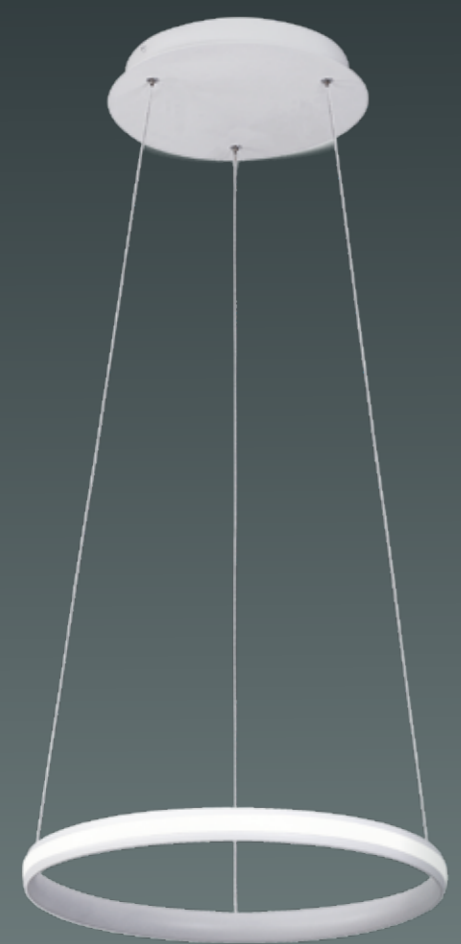
DIMMERABILE  
DIMMABLE



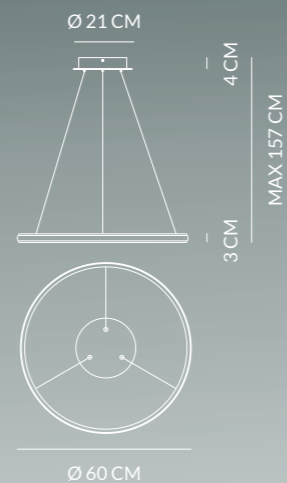


# LENS

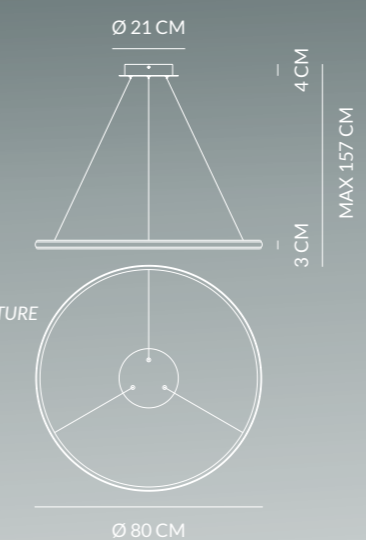
SOSPENSIONE PENDANT LAMP



**0071.30**  
**BIANCO**  
**WHITE**  
 KELVIN  
 COLOUR TEMPERATURE  
**3.000 K**  
 LUMEN  
**960 LM**  
 VATTAGGIO  
 WATTAGE  
**16 W**



**0071.31**  
**BIANCO**  
**WHITE**  
 KELVIN  
 COLOUR TEMPERATURE  
**3.000 K**  
 LUMEN  
**1.800 LM**  
 VATTAGGIO  
 WATTAGE  
**30 W**



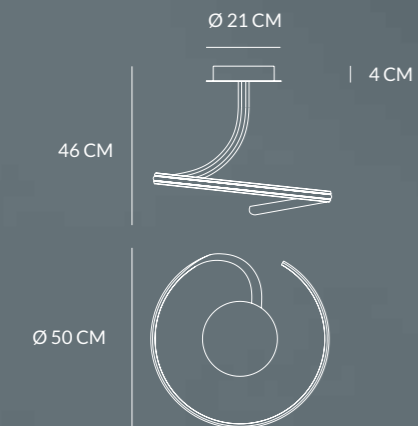
**0071.32**  
**BIANCO**  
**WHITE**  
 KELVIN  
 COLOUR TEMPERATURE  
**3.000 K**  
 LUMEN  
**2.400 LM**  
 VATTAGGIO  
 WATTAGE  
**40 W**



**0071.33**  
**BIANCO**  
**WHITE**  
 KELVIN  
 COLOUR TEMPERATURE  
**3.000 K**  
 LUMEN  
**3.000 LM**  
 VATTAGGIO  
 WATTAGE  
**50 W**

# RIBBON

SOSPENSIONE PENDANT LAMP

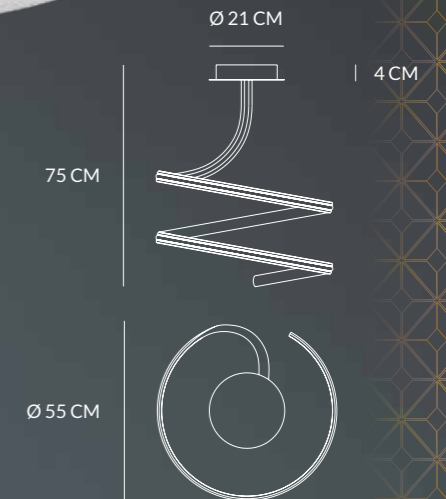


**0030.20 W**  
**BIANCO**  
**WHITE**  
 KELVIN  
 COLOUR TEMPERATURE  
**3.000 K**  
 LUMEN  
**1.200 LM**  
 VATTAGGIO  
 WATTAGE  
**20 W**

**0030.20 N**  
**BIANCO**  
**WHITE**  
 KELVIN  
 COLOUR TEMPERATURE  
**4.000 K**  
 LUMEN  
**1.296 LM**  
 VATTAGGIO  
 WATTAGE  
**20 W**

**0030.21 DIM W**  
**BIANCO**  
**WHITE**  
 KELVIN  
 COLOUR TEMPERATURE  
**3.000 K**  
 LUMEN  
**2.900 LM**  
 VATTAGGIO  
 WATTAGE  
**48 W**  
**DIMMERABILE**  
**DIMMABLE**

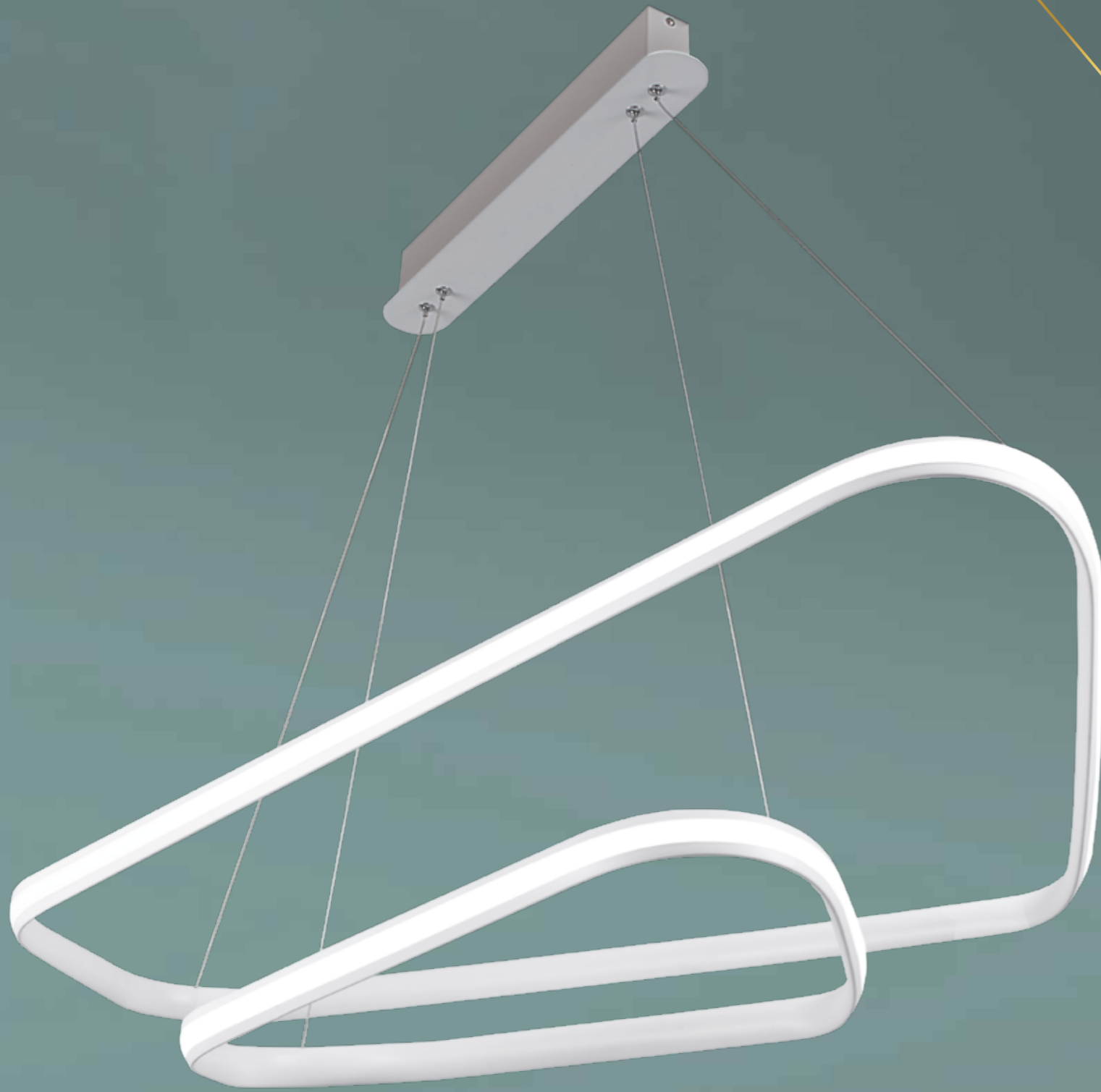
**0030.21 DIM N**  
**BIANCO**  
**WHITE**  
 KELVIN  
 COLOUR TEMPERATURE  
**4.000 K**  
 LUMEN  
**3.132 LM**  
 VATTAGGIO  
 WATTAGE  
**48 W**  
**DIMMERABILE**  
**DIMMABLE**





# RINGS

SOSPENSIONE PENDANT LAMP



## 0033.30 DIM W

BIANCO  
WHITE

KELVIN  
COLOUR TEMPERATURE  
3.000 K

LUMEN  
2.900 LM

VATTAGGIO  
WATTAGE  
47 W

DIMMERABILE  
DIMMABLE



## 0033.30 DIM N

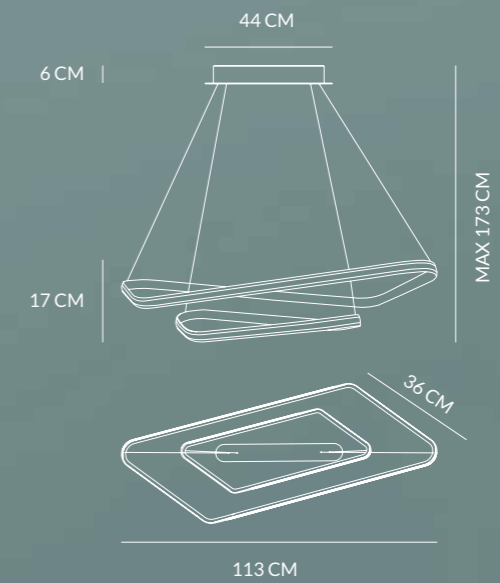
BIANCO  
WHITE

KELVIN  
COLOUR TEMPERATURE  
4.000 K

LUMEN  
3.132 LM

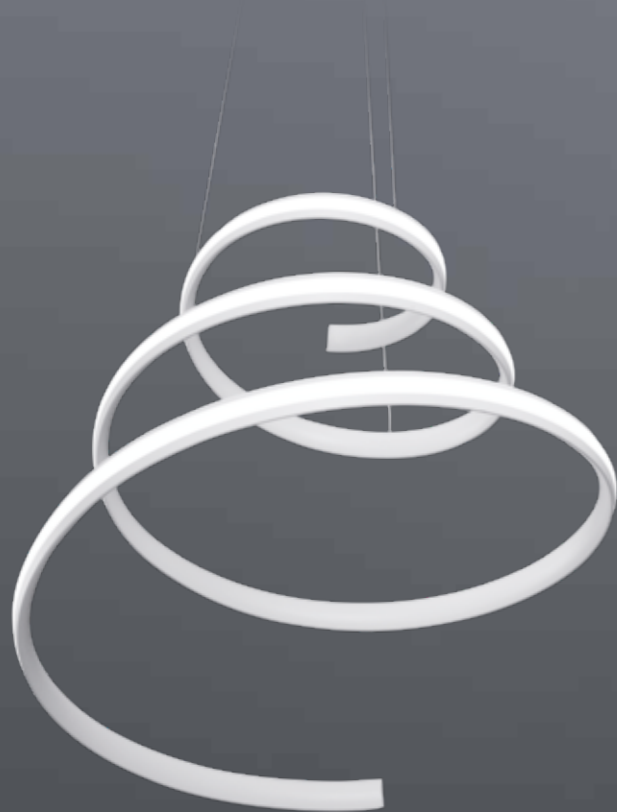
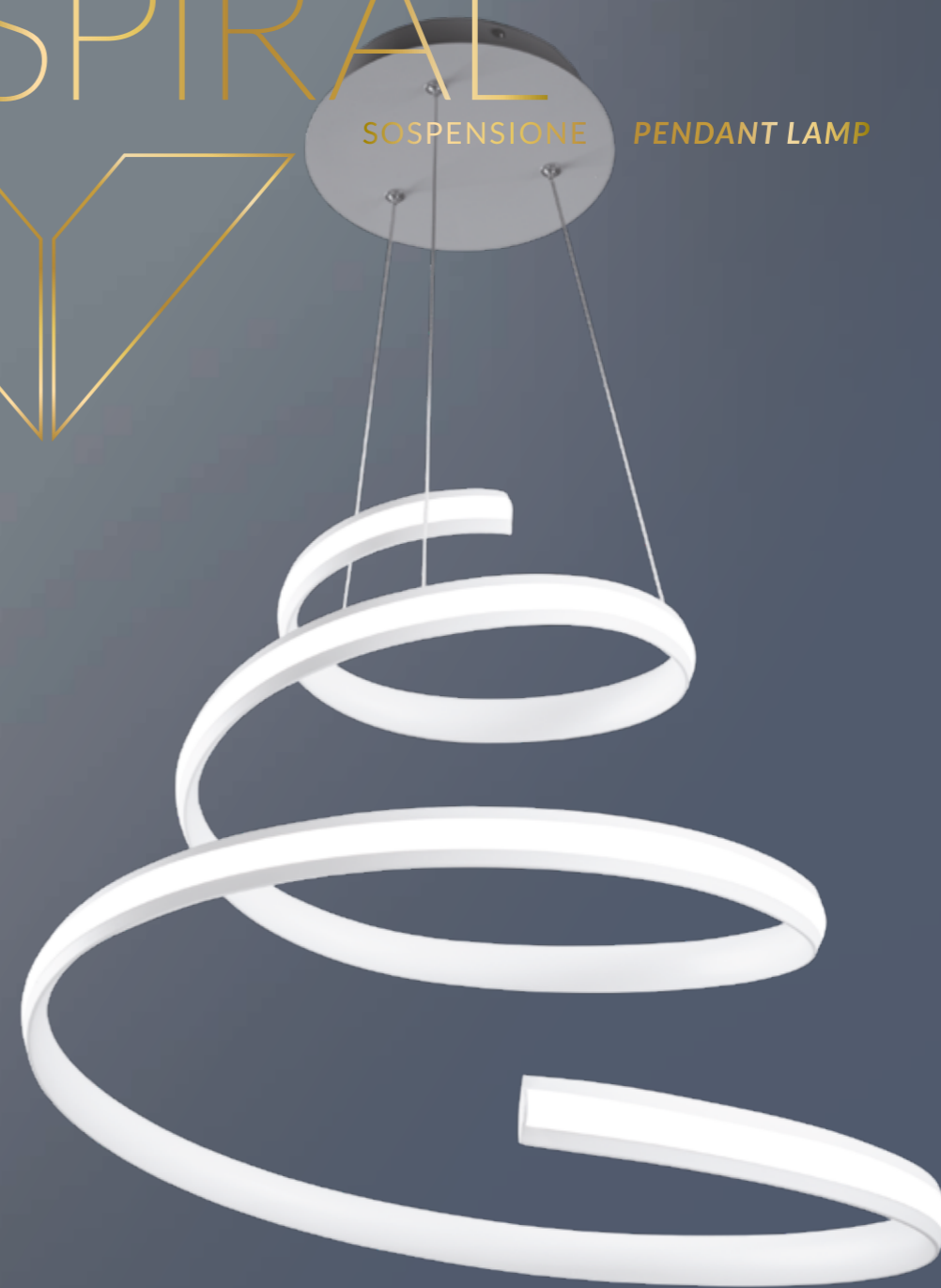
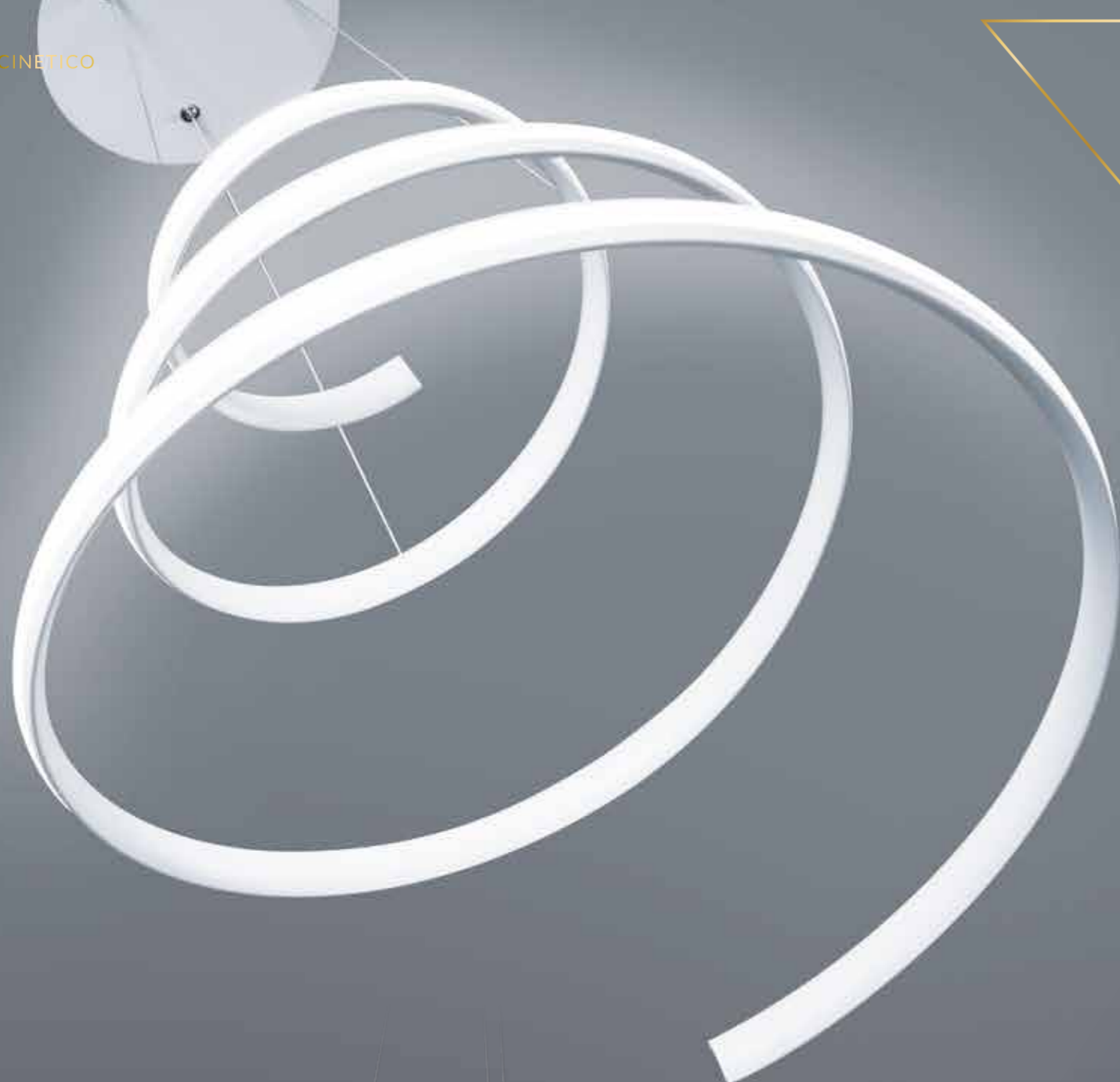
VATTAGGIO  
WATTAGE  
47 W

DIMMERABILE  
DIMMABLE



# SPIRAL

SOSPENSIONE PENDANT LAMP



### 0036.30 DIM N

BIANCO  
WHITE

KELVIN  
COLOUR TEMPERATURE  
4.000 K

LUMEN  
2.700 LM

VATTAGGIO  
WATTAGE  
40 W

DIMMERABILE  
DIMMABLE



### 0036.30 DIM W

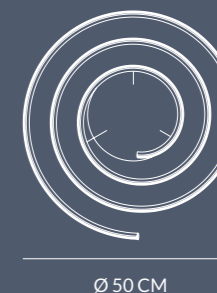
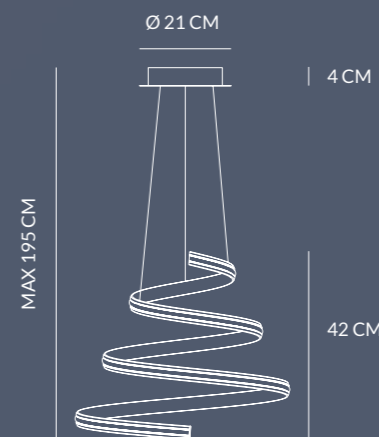
BIANCO  
WHITE

KELVIN  
COLOUR TEMPERATURE  
3.000 K

LUMEN  
2.500 LM

VATTAGGIO  
WATTAGE  
40 W

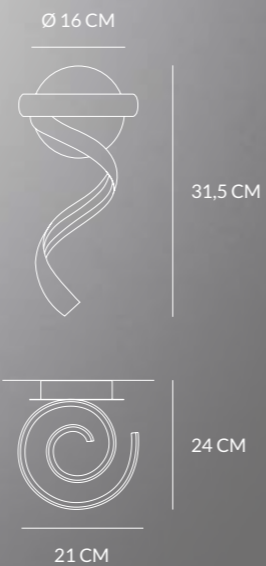
DIMMERABILE  
DIMMABLE





# FLAME

LAMPADA A PARETE WALL LAMP



- 0029.10.BI W**  
 BIANCO  
 WHITE
  - 0029.10.NE W**  
 NERO  
 BLACK
  - 0029.10.SA W**  
 SABBIA  
 SAND
  - 0029.10.BI N**  
 BIANCO  
 WHITE
- KELVIN  
 COLOUR TEMPERATURE  
**3.000 K**
- LUMEN  
**720 LM**
- VATTAGGIO  
 WATTAGE  
**12 W**
- KELVIN  
 COLOUR TEMPERATURE  
**4.000 K**
- LUMEN  
**777 LM**
- VATTAGGIO  
 WATTAGE  
**12 W**

# FLAME

LAMPADA A PARETE WALL LAMP





# FLAME

LAMPADA DA TAVOLO TABLE LAMP



**0029.40.BI W**  
BIANCO  
WHITE

**0029.40.NE W**  
NERO  
BLACK

**0029.40.SA W**  
SABBIA  
SAND

KELVIN  
COLOUR TEMPERATURE  
3.000 K

LUMEN  
720 LM

VATTAGGIO  
WATTAGE  
12 W

**0029.40.BI N**  
BIANCO  
WHITE

KELVIN  
COLOUR TEMPERATURE  
4.000 K

LUMEN  
777 LM

VATTAGGIO  
WATTAGE  
12 W



23 CM

20 CM



# FLAME

LAMPADA DA TAVOLO TABLE LAMP





# BRACKET

LAMPADA DA TERRA FLOOR LAMP



**0037.50.BI N**  
**BIANCO**  
**WHITE**

KELVIN  
 COLOUR TEMPERATURE  
**4.000 K**

LUMEN  
**2.138 LM**

VATTAGGIO  
 WATTAGE  
**33 W**

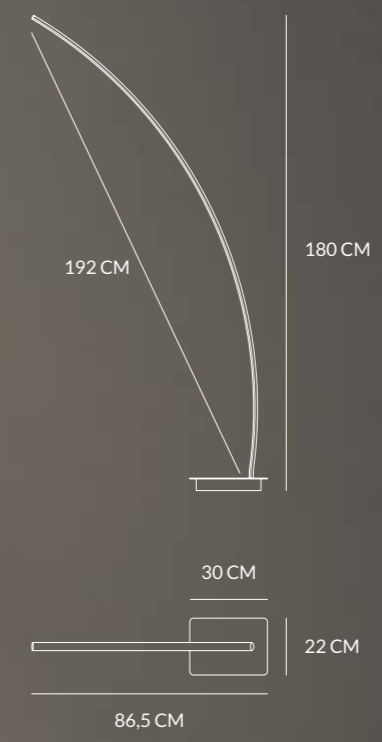
**0037.50.BI W**  
**BIANCO**  
**WHITE**

**0037.50.NE W**  
**NERO**  
**BLACK**

KELVIN  
 COLOUR TEMPERATURE  
**3.000 K**

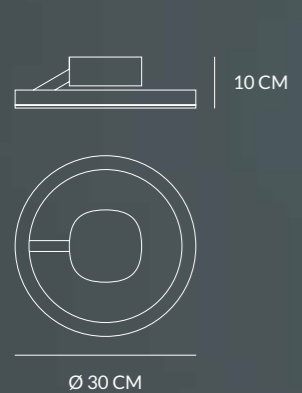
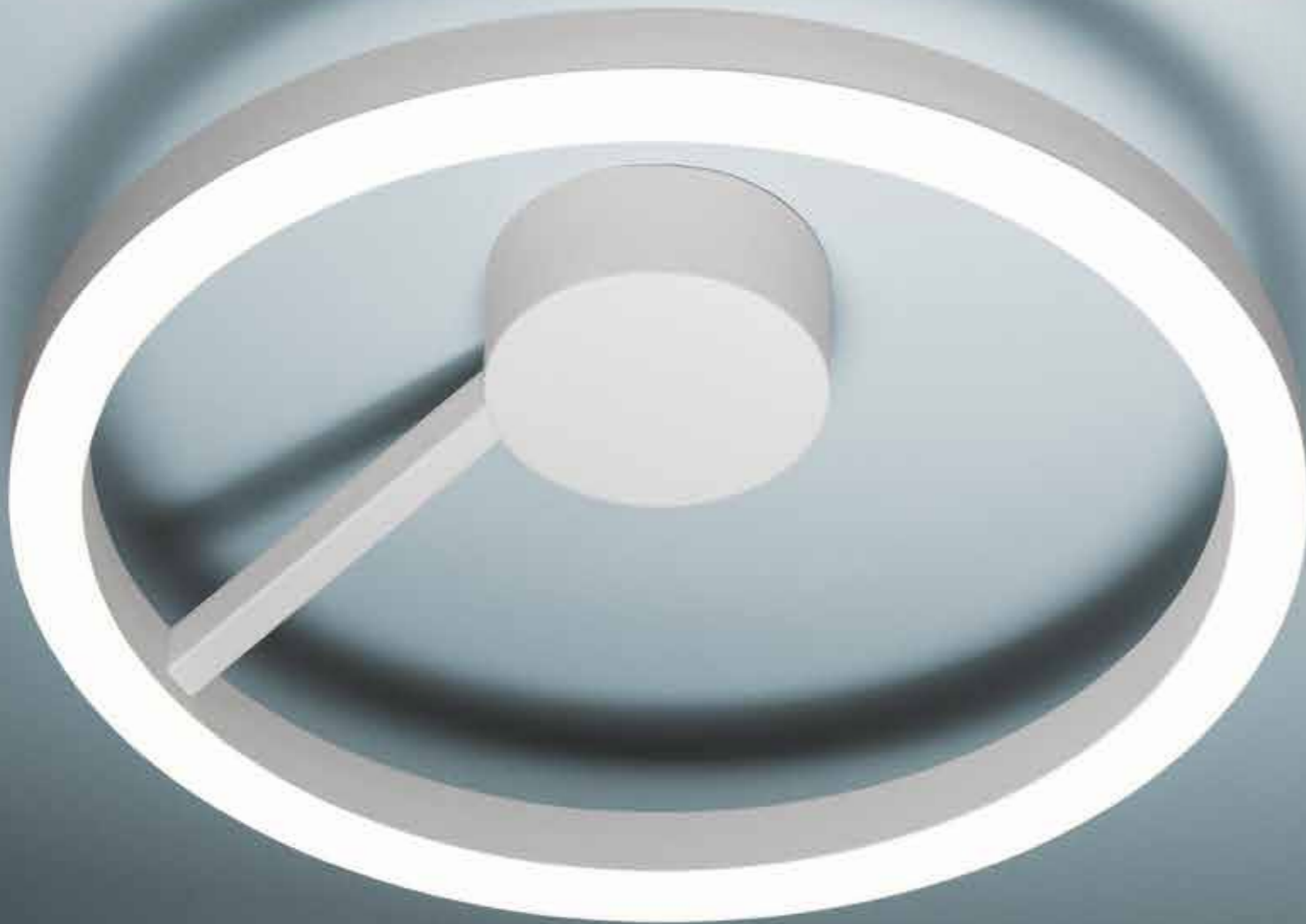
LUMEN  
**1.980 LM**

VATTAGGIO  
 WATTAGE  
**33 W**

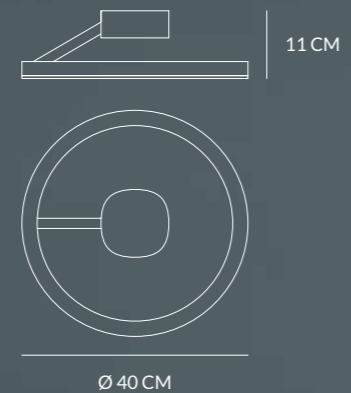


# HURRICANE

SOSPENSIONE  
PLAFONIERA    PENDANT LAMP  
CEILING LAMP



**0001.20**  
**BIANCO**  
**WHITE**  
  
KELVIN  
COLOUR TEMPERATURE  
**3.000 K**  
  
LUMEN  
**790 LM**  
  
VATTAGGIO  
WATTAGE  
**16 W**



**0001.21**  
**BIANCO**  
**WHITE**  
  
KELVIN  
COLOUR TEMPERATURE  
**3.000 K**  
  
LUMEN  
**1.430 LM**  
  
VATTAGGIO  
WATTAGE  
**21 W**



**0001.30 DIM**  
**BIANCO**  
**WHITE**  
  
KELVIN  
COLOUR TEMPERATURE  
**3.000 K**  
  
LUMEN  
**1.870 LM**  
  
VATTAGGIO  
WATTAGE  
**38 W**  
  
**DIMMERABILE**  
**DIMMABLE**





# HURRICANE

SOSPENSIONE PENDANT LAMP



**0001.33 DIM**  
**BIANCO**  
**WHITE**

KELVIN  
COLOUR TEMPERATURE  
**3.000 K**

LUMEN  
**6.400 LM**

VATTAGGIO  
WATTAGE  
**175 W**

**DIMMERABILE**  
**DIMMABLE**



**0001.33**  
**BIANCO**  
**WHITE**

KELVIN  
COLOUR TEMPERATURE  
**3.000 K**

LUMEN  
**6.400 LM**

VATTAGGIO  
WATTAGE  
**175 W**



# HURRICANE

SOSPENSIONE PENDANT LAMP



**0001.31 DIM**  
**BIANCO**  
**WHITE**

KELVIN  
COLOUR TEMPERATURE  
**3.000 K**

LUMEN  
**3.120 LM**

VATTAGGIO  
WATTAGE  
**60 W**

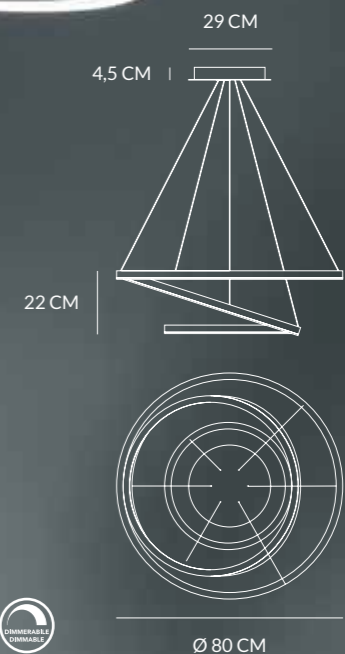
**0001.31 DIM**  
**BIANCO**  
**WHITE**

KELVIN  
COLOUR TEMPERATURE  
**3.000 K**

LUMEN  
**3.120 LM**

VATTAGGIO  
WATTAGE  
**60 W**

**DIMMERABILE**  
**DIMMABLE**



**0001.32 DIM**  
**BIANCO**  
**WHITE**

KELVIN  
COLOUR TEMPERATURE  
**3.000 K**

LUMEN  
**5.140 LM**

VATTAGGIO  
WATTAGE  
**105 W**

**DIMMERABILE**  
**DIMMABLE**





MAZE  
SQUARES  
WAY  
LINE  
FLAT

# SILENZIO

*I SILENZIO di soluzioni di design che si appoggiano su soffitti e pareti, illuminando con eleganza.*

*SILENZIO - bringing elegance and silence, these wall and ceiling lamps light up your room.*

*SILENZIO эlegantное освещение с помощью плафонов и бра.*

*El SILENZIO del diseño se apoya en techos y paredes, para iluminar con toda su elegancia.*

*SILENZIO - soluções de design para tetos ou paredes, iluminando com elegância o ambiente.*

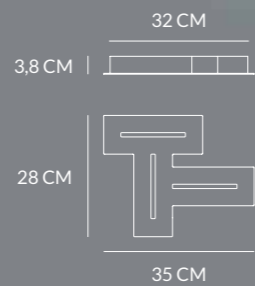
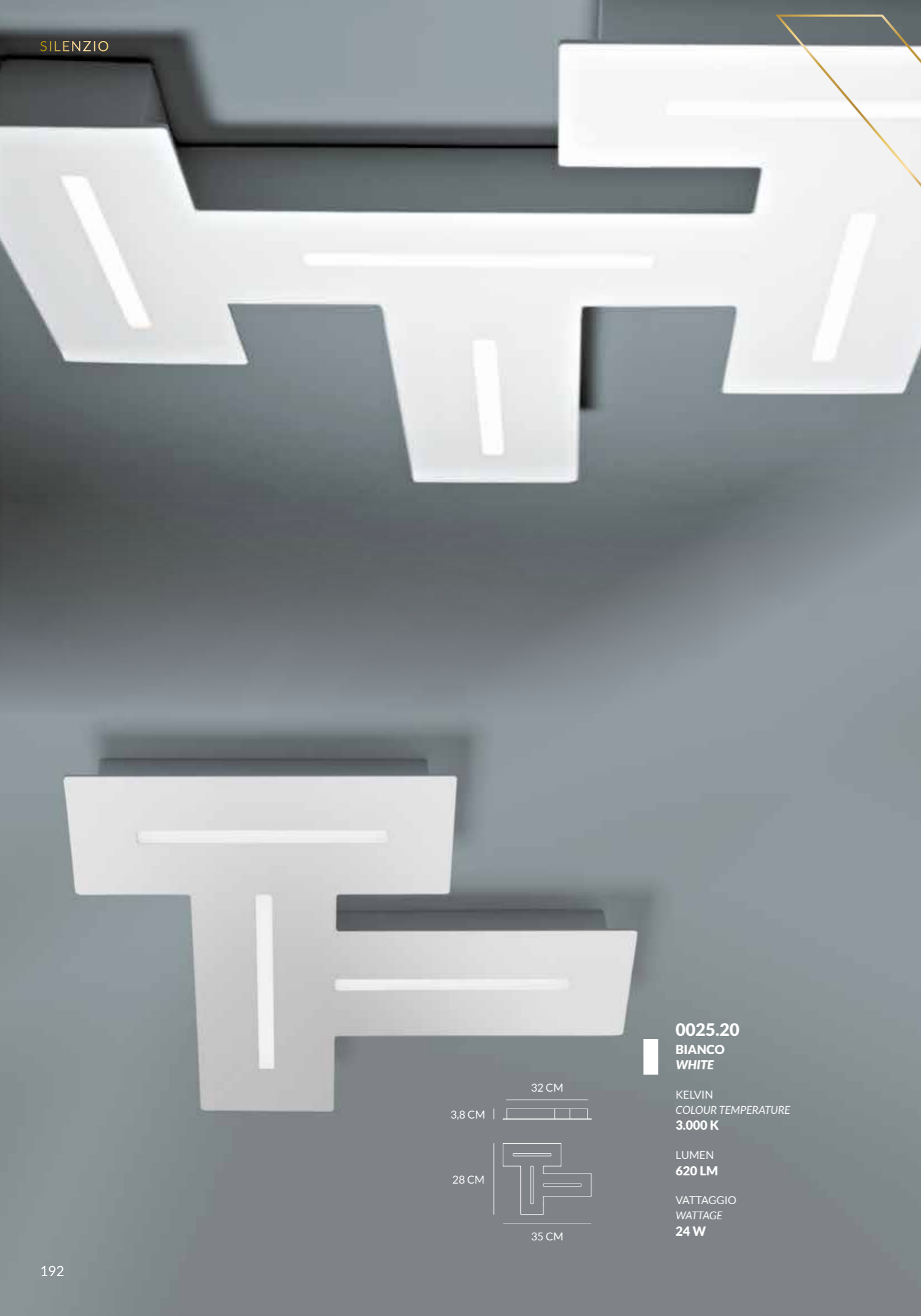
*Le SILENZIO de solutions de design qui s'appuient sur de plafonds et de murs, en éclairant avec élégance.*

*Die SILENZIO von Designlösungen , die auf Decken und Wänden ruhen und mit Eleganz leuchten.*



# MAZE

PLAFONIERA CEILING LAMP

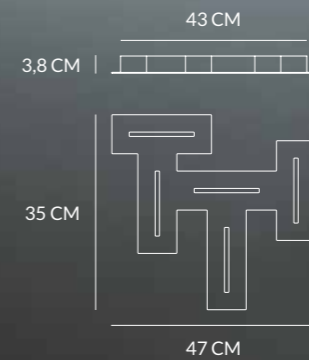


**0025.20**  
BIANCO  
WHITE

KELVIN  
COLOUR TEMPERATURE  
**3.000 K**

LUMEN  
**620 LM**

VATTAGGIO  
WATTAGE  
**24 W**



**0025.21**  
BIANCO  
WHITE

KELVIN  
COLOUR TEMPERATURE  
**3.000 K**

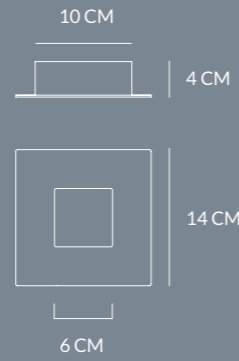
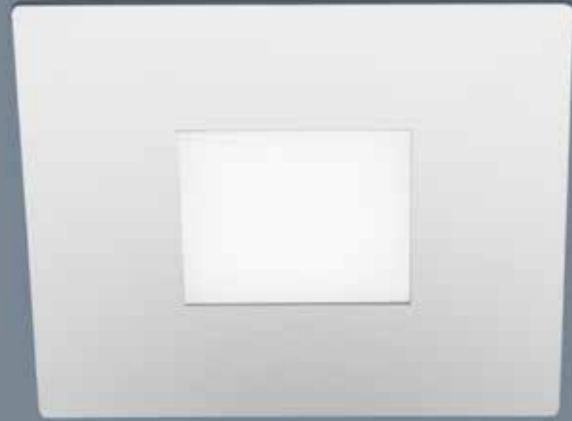
LUMEN  
**800 LM**

VATTAGGIO  
WATTAGE  
**37 W**



# SQUARES

PLAFONIERA CEILING LAMP

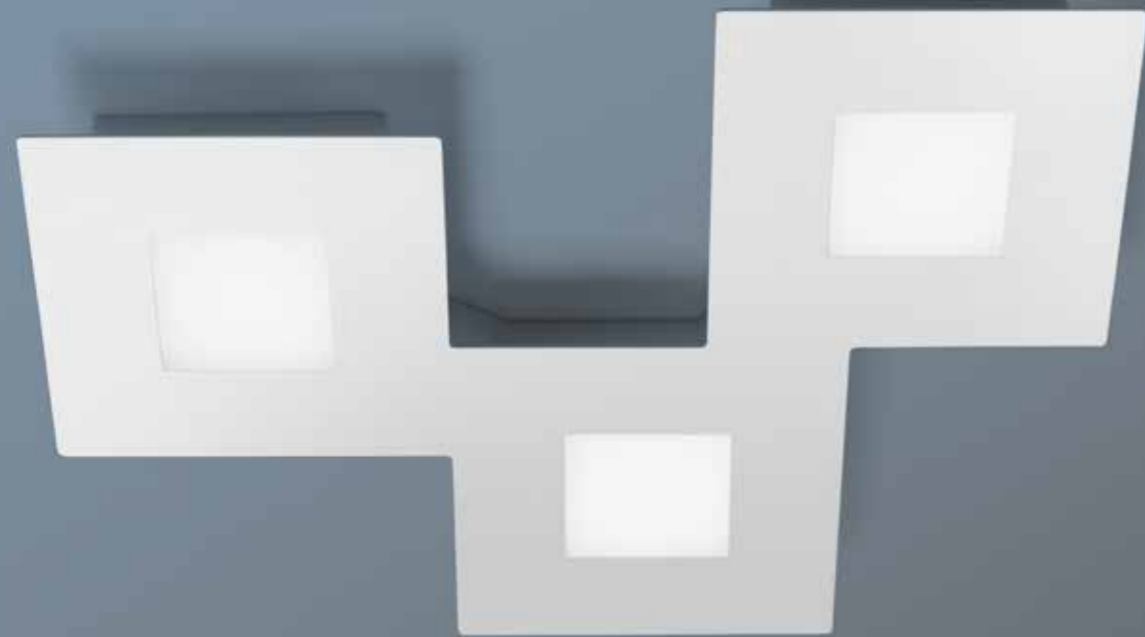


**0024.20**  
**BIANCO**  
**WHITE**

KELVIN  
COLOUR TEMPERATURE  
**3.000 K**

LUMEN  
**392 LM**

VATTAGGIO  
WATTAGE  
**8 W**

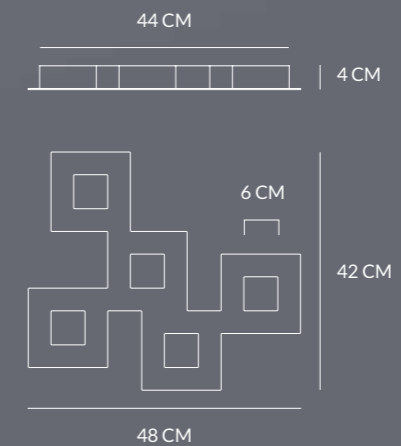
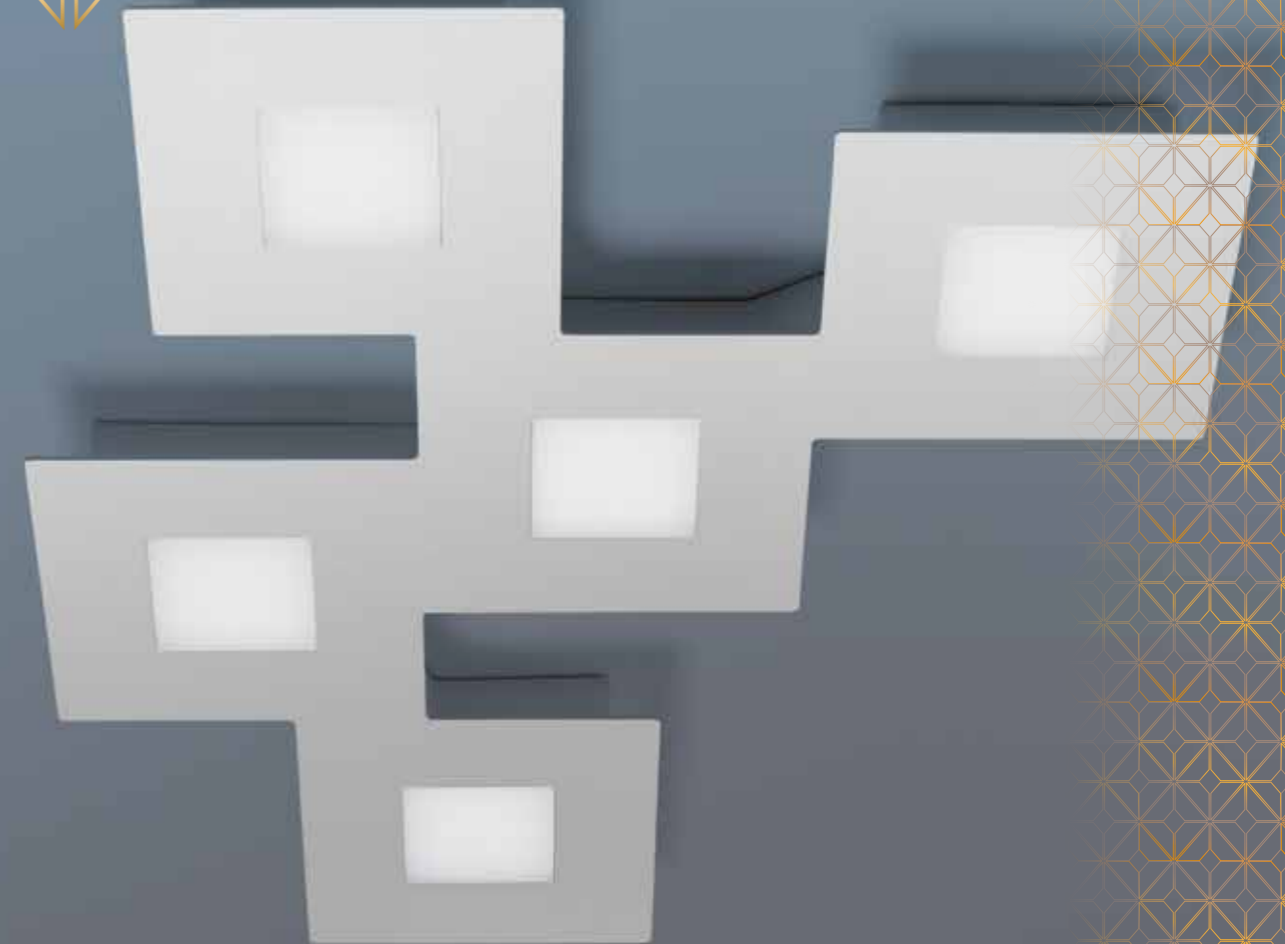


**0024.21**  
**BIANCO**  
**WHITE**

KELVIN  
COLOUR TEMPERATURE  
**3.000 K**

LUMEN  
**980 LM**

VATTAGGIO  
WATTAGE  
**20 W**



**0024.22**  
**BIANCO**  
**WHITE**

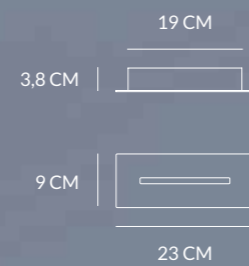
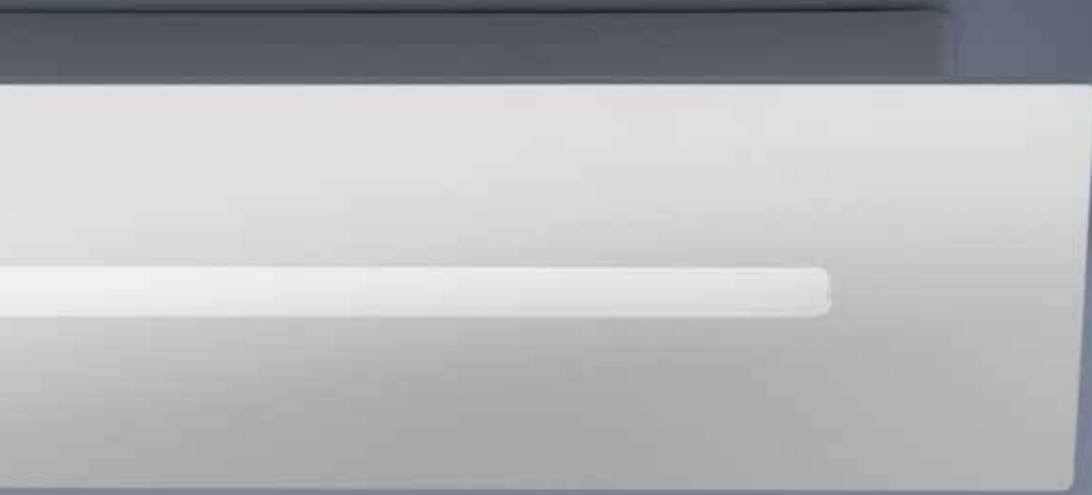
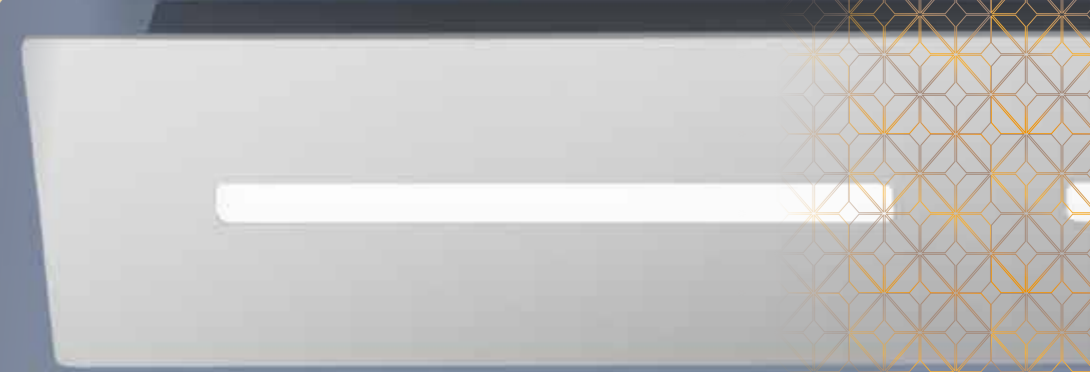
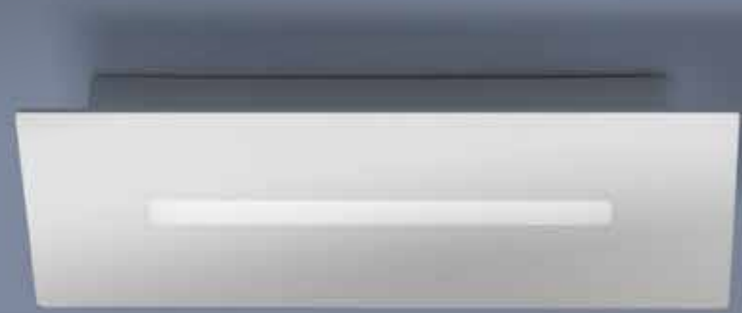
KELVIN  
COLOUR TEMPERATURE  
**3.000 K**

LUMEN  
**1.730 LM**

VATTAGGIO  
WATTAGE  
**37 W**



PLAFONIERA    CEILING LAMP

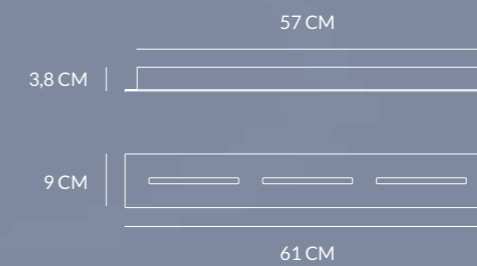


**0023.20**  
BIANCO  
WHITE

KELVIN  
COLOUR TEMPERATURE  
**3.000 K**

LUMEN  
**260 LM**

VATTAGGIO  
WATTAGE  
**9 W**



**0023.21**  
BIANCO  
WHITE

KELVIN  
COLOUR TEMPERATURE  
**3.000 K**

LUMEN  
**700 LM**

VATTAGGIO  
WATTAGE  
**25 W**



# LINE

LAMPADA A PARETE WALL LAMP



**0005.10.BI**  
BIANCO  
WHITE

**0005.10.NE**  
NERO  
BLACK

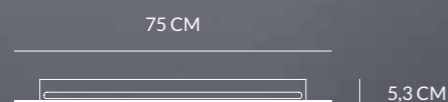
**0005.10.SA**  
SABBIA  
SAND

KELVIN  
COLOUR TEMPERATURE  
**3.000 K**

LUMEN  
**1.630 LM**

VATTAGGIO  
WATTAGE  
**24 W**

DIREZIONE DELLA LUCE  
LIGHT DIRECTION  
**UP AND DOWN**



**0005.11.BI**  
BIANCO  
WHITE

**0005.11.NE**  
NERO  
BLACK

**0005.11.SA**  
SABBIA  
SAND

KELVIN  
COLOUR TEMPERATURE  
**3.000 K**

LUMEN  
**2.000 LM**

VATTAGGIO  
WATTAGE  
**31 W**

DIREZIONE DELLA LUCE  
LIGHT DIRECTION  
**UP AND DOWN**



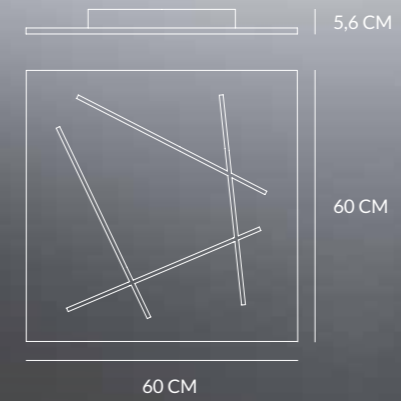
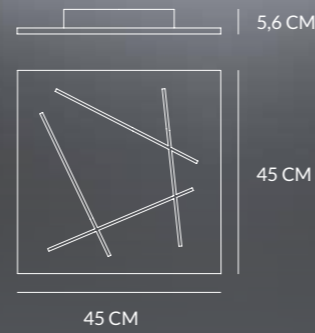
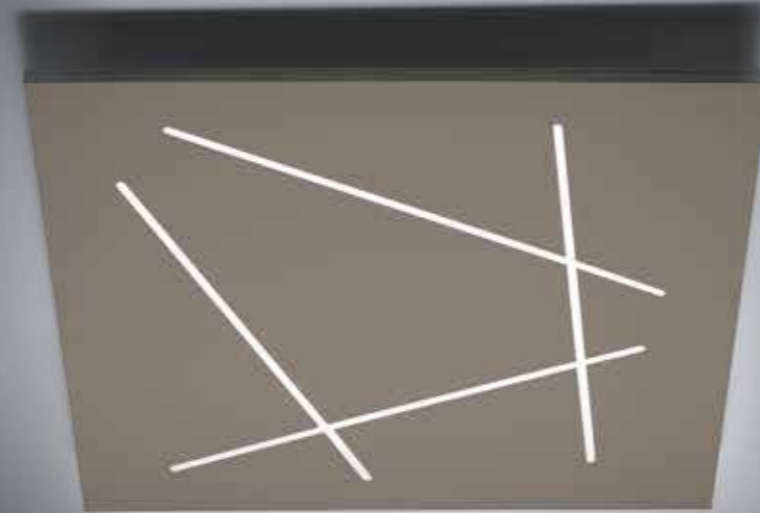
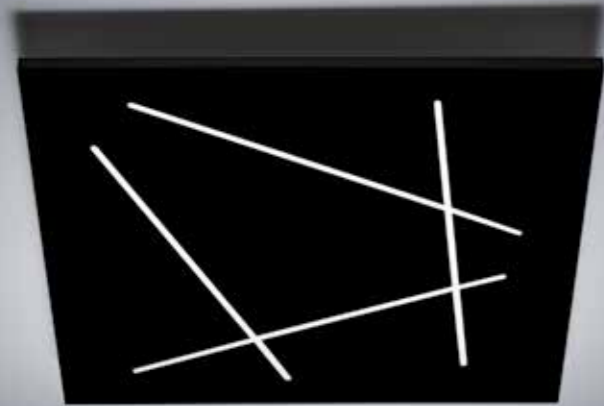
# V FLAT

PLAFONIERA CEILING LAMP



# FLAT

PLAFONIERA CEILING LAMP



**0002.20.BI W**  
BIANCO  
WHITE

**0002.20.NE W**  
NERO  
BLACK

**0002.20.SA W**  
SABBIA  
SAND

KELVIN  
COLOUR TEMPERATURE  
**3.000 K**

LUMEN  
**1.230 LM**

VATTAGGIO  
WATTAGE  
**31 W**

**0002.20.BI N**  
BIANCO  
WHITE

KELVIN  
COLOUR TEMPERATURE  
**4.000 K**

LUMEN  
**1.328 LM**

VATTAGGIO  
WATTAGE  
**31 W**

**0002.21.BI W**  
BIANCO  
WHITE

**0002.21.NE W**  
NERO  
BLACK

**0002.21.SA W**  
SABBIA  
SAND

KELVIN  
COLOUR TEMPERATURE  
**3.000 K**

LUMEN  
**1.630 LM**

VATTAGGIO  
WATTAGE  
**42 W**

**0002.21.BI N**  
BIANCO  
WHITE

KELVIN  
COLOUR TEMPERATURE  
**4.000 K**

LUMEN  
**2.073 LM**

VATTAGGIO  
WATTAGE  
**42 W**

**0002.22.BI W**  
BIANCO  
WHITE

**0002.22.NE W**  
NERO  
BLACK

**0002.22.SA W**  
SABBIA  
SAND

KELVIN  
COLOUR TEMPERATURE  
**3.000 K**

LUMEN  
**2.500 LM**

VATTAGGIO  
WATTAGE  
**51 W**

**0002.22.BI N**  
BIANCO  
WHITE

KELVIN  
COLOUR TEMPERATURE  
**4.000 K**

LUMEN  
**2.700 LM**

VATTAGGIO  
WATTAGE  
**51 W**



# CYBER INCONTRO

SKY FALL

SKY FALL LENS

HALO

SMASH

*L'INCONTRO tra il design, la funzionalità e la luce per soluzioni adattabili in tutti gli ambienti.*

*INCONTRO design meeting light and functionality to create solution for every kind of space.*

*INCONTRO - Когда дизайн встречается со светом и функциональностью для подходящих решений в любом интерьере.*

*EL INCONTRO entre el diseño, la funcionalidad y la luz crean soluciones adaptables a todos los ambientes.*

*INCONTRO - Design, funcionalidade e luz para soluções adaptáveis em todos os ambientes.*

*Le INCONTRO entre le design, la fonctionnalité et la lumière pour de solutions adaptables à toute pièce.*

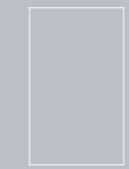
*INCONTRO as Treffen zwischen Design, Funktionalität und Licht für Lösungen , die für alle Umgebungen geeignet sind.*



# CYBER

PLAFONIERA

CEILING LAMP



15 CM



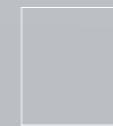
Ø 9 CM

**0008.20**  
BIANCO  
WHITE

KELVIN  
COLOUR TEMPERATURE  
3.000 K

LUMEN  
870 LM

VATTAGGIO  
WATTAGE  
11,5 W



11.2 CM



Ø 9 CM

**0008.21**  
BIANCO  
WHITE

KELVIN  
COLOUR TEMPERATURE  
3.000 K

LUMEN  
635 LM

VATTAGGIO  
WATTAGE  
7,5 W



10,3 CM



Ø 10 CM

**0008.22.BI**  
BIANCO  
WHITE

**0008.22.NE**  
NERO  
BLACK

KELVIN  
COLOUR TEMPERATURE  
3.000 K

LUMEN  
870 LM

VATTAGGIO  
WATTAGE  
11,5 W



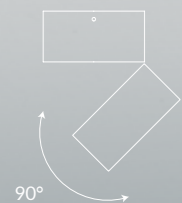
**0008.23.BI**  
BIANCO  
WHITE

**0008.23.NE**  
NERO  
BLACK

KELVIN  
COLOUR TEMPERATURE  
3.000 K

LUMEN  
1.474 LM

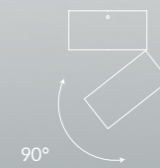
VATTAGGIO  
WATTAGE  
16 W



10,3 CM



Ø 10 CM



9,1 CM



Ø 7,5 CM

**0008.24.BI**  
BIANCO  
WHITE

**0008.24.NE**  
NERO  
BLACK

KELVIN  
COLOUR TEMPERATURE  
3.000 K

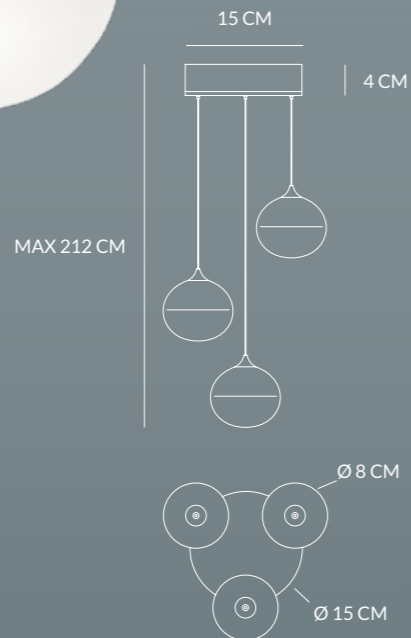
LUMEN  
945 LM

VATTAGGIO  
WATTAGE  
9,3 W

# SKY

# FALL

SOSPENSIONE PENDANT LAMP



**0021.31**  
**BIANCO**  
**WHITE**

KELVIN  
 COLOUR TEMPERATURE  
**3.000 K**

LUMEN  
**945 LM**

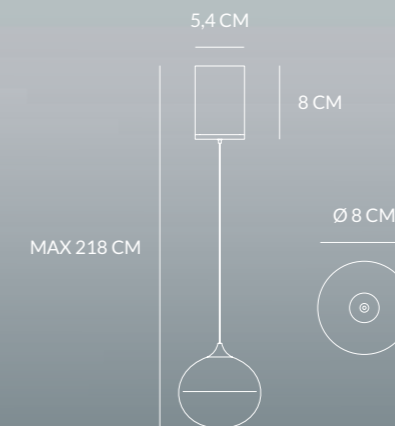
VATTAGGIO  
 WATTAGE  
**3 x 6 W**

**0021.30**  
**BIANCO**  
**WHITE**

KELVIN  
 COLOUR TEMPERATURE  
**3.000 K**

LUMEN  
**315 LM**

VATTAGGIO  
 WATTAGE  
**6 W**

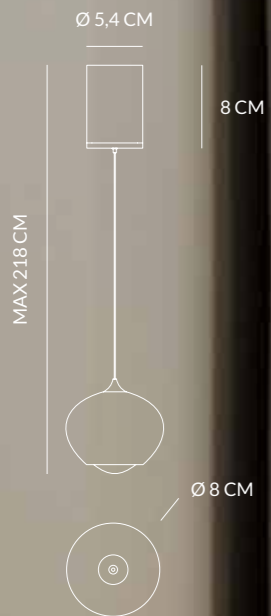




# SKY FALL LENS

SOSPENSIONE

PENDANT LAMP



**0021.32**  
BIANCO  
WHITE

KELVIN  
COLOUR TEMPERATURE  
**3.000 K**

LUMEN  
**315 LM**

VATTAGGIO  
WATTAGE  
**6 W**

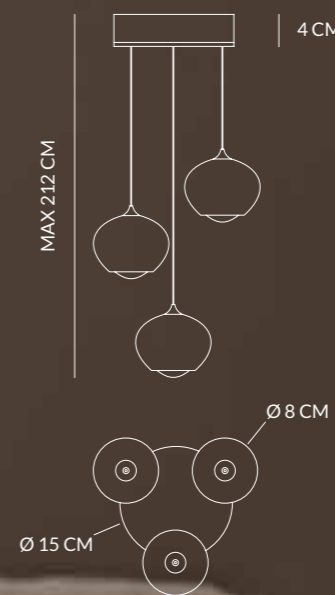


**0021.34**  
BIANCO  
WHITE

KELVIN  
COLOUR TEMPERATURE  
**3.000 K**

LUMEN  
**315 LM**

VATTAGGIO  
WATTAGE  
**6 W**



**0021.33**  
BIANCO  
WHITE

KELVIN  
COLOUR TEMPERATURE  
**3.000 K**

LUMEN  
**945 LM**

VATTAGGIO  
WATTAGE  
**3 x 6 W**

# SKY FALL LENS

LAMPADA A PARETE WALL LAMP



**0021.10.BI DIM**

BIANCO  
WHITE

**0021.10.NE DIM**

NERO  
BLACK

KELVIN  
COLOUR TEMPERATURE  
**3.000 K**

LUMEN  
**288 LM**

VATTAGGIO  
WATTAGE  
**2 x 3 W**

**DIMMERABILE  
DIMMABLE**

GRADO DI PROTEZIONE  
IP RATING  
**IP54**

DIREZIONE DELLA LUCE  
LIGHT DIRECTION  
**UP AND DOWN**



8,5 CM



10 CM



8,8 CM





# HALO

SOSPENSIONE  
LAMPADA A PARETE

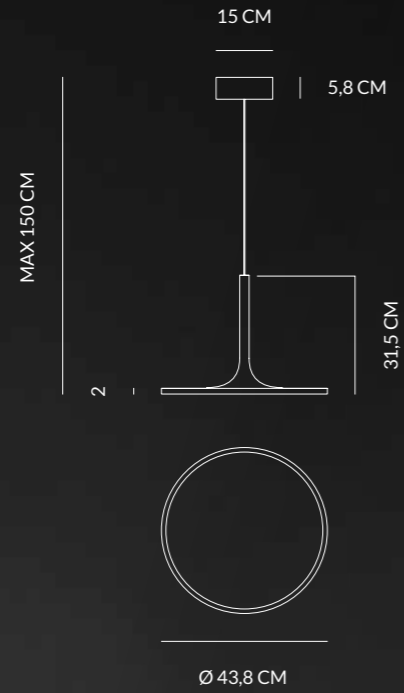
PENDANT LAMP  
WALL LAMP

**0004.30**  
BIANCO  
WHITE

KELVIN  
COLOUR TEMPERATURE  
**3.000 K**

LUMEN  
**1.700 LM**

VATTAGGIO  
WATTAGE  
**33 W**

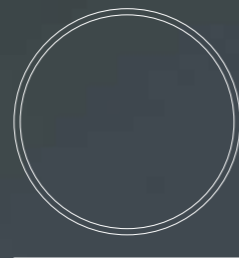


**0004.31**  
BIANCO  
WHITE

KELVIN  
COLOUR TEMPERATURE  
**3.000 K**

LUMEN  
**2.450 LM**

VATTAGGIO  
WATTAGE  
**49 W**

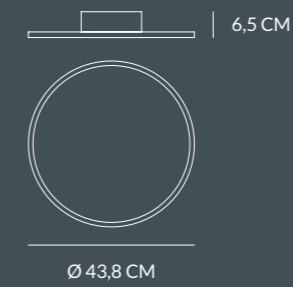


**0004.20**  
BIANCO  
WHITE

KELVIN  
COLOUR TEMPERATURE  
**3.000 K**

LUMEN  
**1.700 LM**

VATTAGGIO  
WATTAGE  
**35 W**

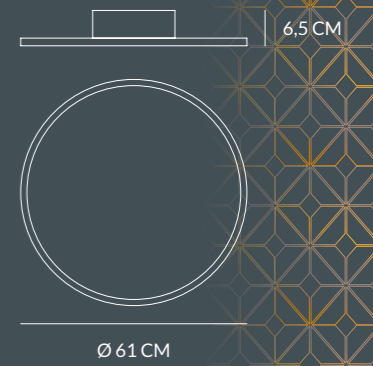


**0004.21**  
BIANCO  
WHITE

KELVIN  
COLOUR TEMPERATURE  
**3.000 K**

LUMEN  
**3.290 LM**

VATTAGGIO  
WATTAGE  
**49 W**



# SMASH

SOSPENSIONE PENDANT LAMP



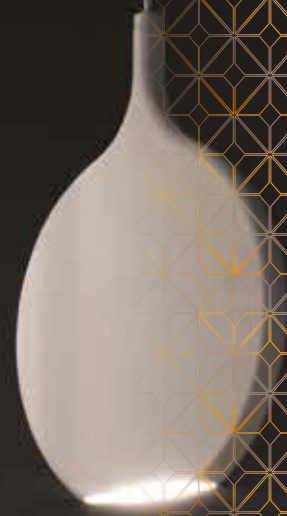
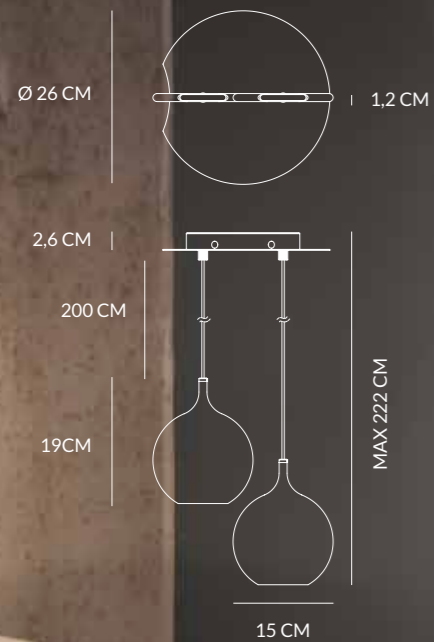
**0038.31**

**BIANCO  
WHITE**

KELVIN  
COLOUR TEMPERATURE  
**3.000 K**

LUMEN  
**1.440 LM**

VATTAGGIO  
WATTAGE  
**14,4 W**



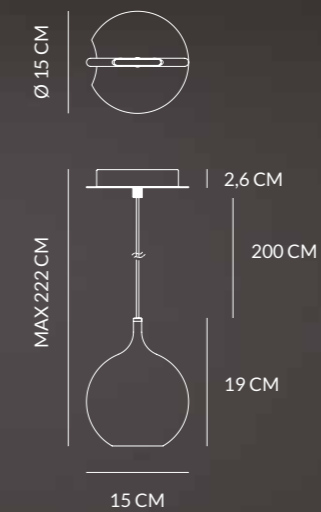
**0038.30**

**BIANCO  
WHITE**

KELVIN  
COLOUR TEMPERATURE  
**3.000 K**

LUMEN  
**720 LM**

VATTAGGIO  
WATTAGE  
**7,2 W**





# SQUADRATO

AXELLA

BETU

BLOCK

CUBE

FOIL

SPY

PUP

*Lo SQUADRATO con i suoi lineamenti ben definiti e marcati, offre semplicità e soluzioni funzionali.*

*SQUADRATO and its well-defined and marked features providing simplicity and functional solutions to decorate your projects.*

*SQUADRATO ровные четкие формы и простота функциональных решений.*

*El SQUADRATO con sus características bien definidas y marcadas, ofrece sencillez y soluciones funcionales.*

*SQUADRATO - As suas características bem definidas e marcadas, proporcionam simplicidade e soluções funcionais para decorar os seus projetos.*

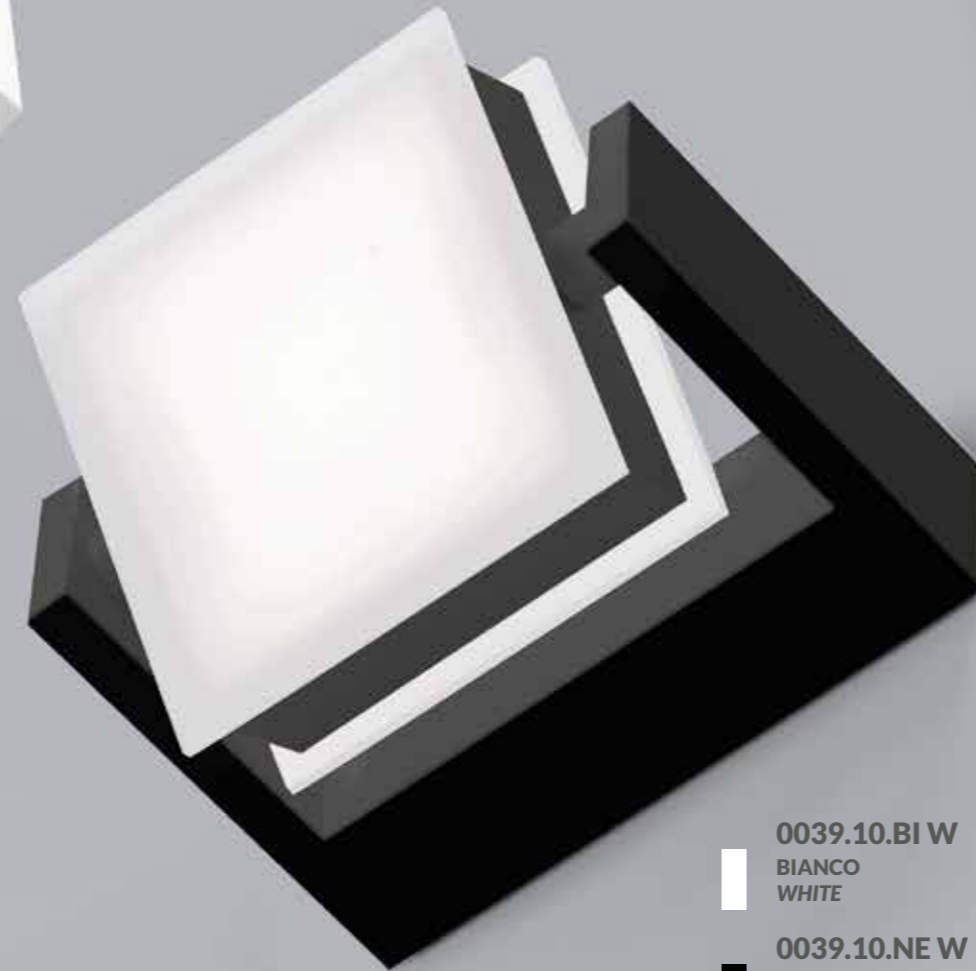
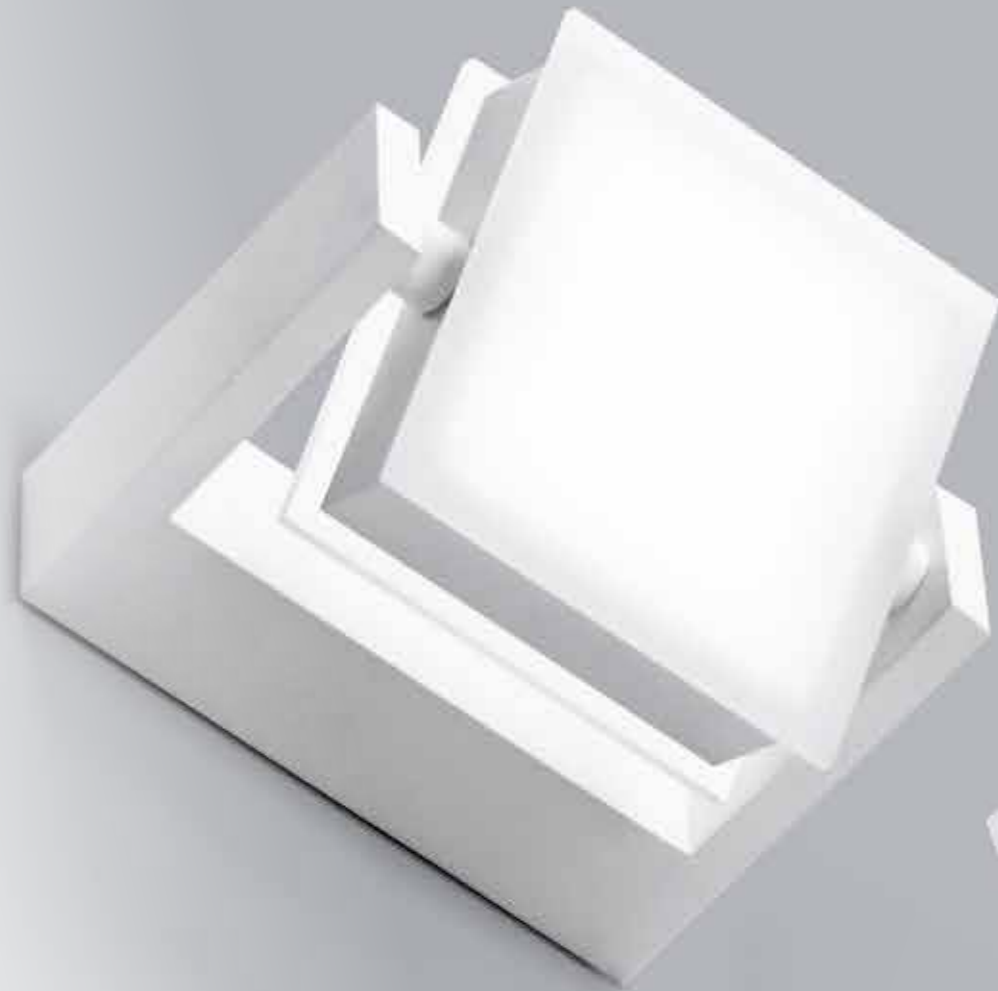
*SQUADRATO avec ses traits bien définis et marqués, offre simplicité et de solutions fonctionnelles.*

*Das SQUADRATO mit seinen gut definierten und markierten Merkmalen bietet Einfachheit und funktionale Lösungen.*



# AXELLA

LAMPADA A PARETE WALL LAMP



**0039.10.BI N**  
BIANCO  
WHITE

KELVIN  
COLOUR TEMPERATURE  
**4.000 K**

LUMEN  
**702 LM**

VATTAGGIO  
WATTAGE  
**10 W**

**0039.10.BI W**  
BIANCO  
WHITE

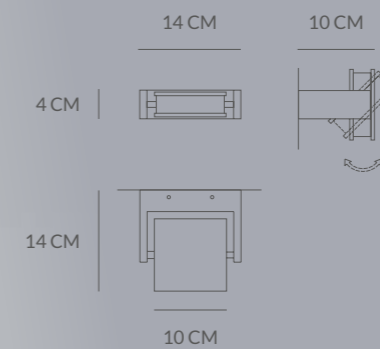
**0039.10.NE W**  
NERO  
BLACK

**0039.10.SA W**  
SABBIA  
SAND

KELVIN  
COLOUR TEMPERATURE  
**3.000 K**

LUMEN  
**650 LM**

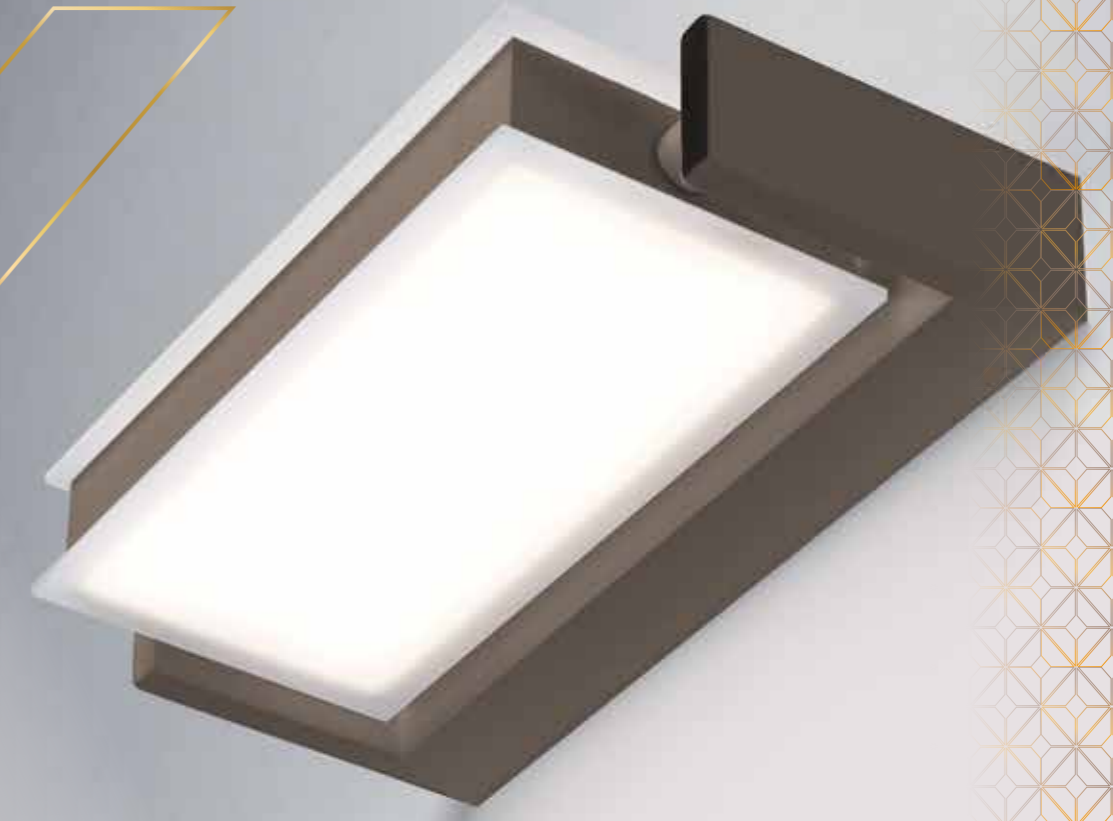
VATTAGGIO  
WATTAGE  
**10 W**





# AXELLA

LAMPADA A PARETE WALL LAMP



**0039.11.BI N**  
**BIANCO**  
**WHITE**

KELVIN  
 COLOUR TEMPERATURE  
**4.000 K**

LUMEN  
**1.263 LM**

VATTAGGIO  
 WATTAGE  
**18 W**

**0039.11.BI W**  
**BIANCO**  
**WHITE**

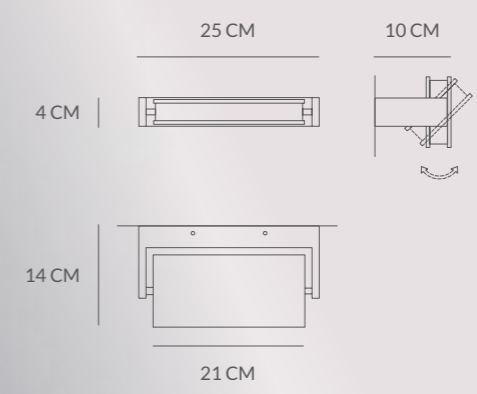
**0039.11.NE W**  
**NERO**  
**BLACK**

**0039.11.SA W**  
**SABBIA**  
**SAND**

KELVIN  
 COLOUR TEMPERATURE  
**3.000 K**

LUMEN  
**1.170 LM**

VATTAGGIO  
 WATTAGE  
**18 W**



# BETU

LAMPADA A PARETE WALL LAMP



**0057.10**  
**BIANCO**  
**SAND WHITE**

KELVIN  
COLOUR TEMPERATURE  
**3.000 K**

LUMEN  
**120 LM**

VATTAGGIO  
WATTAGE  
**2 W**

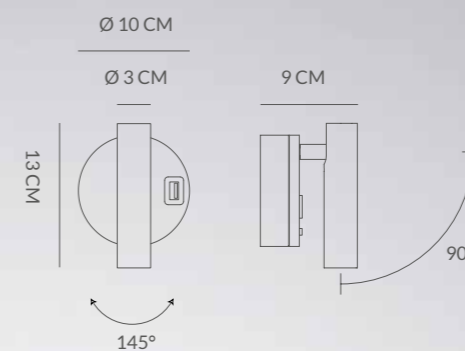


**0057.11**  
**NERO**  
**BLACK**

KELVIN  
COLOUR TEMPERATURE  
**3.000 K**

LUMEN  
**120 LM**

VATTAGGIO  
WATTAGE  
**2 W**





# BLOCK

LAMPADA A PARETE WALL LAMP



**0035.11.BI**  
BIANCO  
WHITE

**0035.11.NE**  
NERO  
BLACK

KELVIN  
COLOUR TEMPERATURE  
**3.000 K**

LUMEN  
**890 LM**

VATTAGGIO  
WATTAGE  
**16 W**

GRADO DI PROTEZIONE  
IP RATING  
**IP65**

DIREZIONE DELLA LUCE  
LIGHT DIRECTION  
**UP AND DOWN**



IP65



# CUBE

PLAFONIERA CEILING LAMP



**0006.20.BI**  
BIANCO  
WHITE



**0006.20.NE**  
NERO  
BLACK



KELVIN  
COLOUR TEMPERATURE  
**3.000 K**

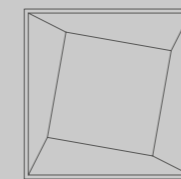
LUMEN  
**1.120 LM**

VATTAGGIO  
WATTAGE  
**11,5 W**

GRADO DI PROTEZIONE  
IP RATING  
**IP65**



10,5 CM



10,5 CM

10,5 CM



# FOIL

LAMPADA A PARETE WALL LAMP



## 0027.10 DIM

**BIANCO**  
**WHITE**  
KELVIN  
COLOUR TEMPERATURE  
**3.000 K**

LUMEN  
**800 LM**

VATTAGGIO  
WATTAGE  
**8 W**

**DIMMERABILE**  
**DIMMABLE**

GRADO DI PROTEZIONE  
IP RATING  
**IP65**

DIREZIONE DELLA LUCE  
LIGHT DIRECTION  
**SUPERIORE**  
**UP**



## 0027.11 DIM

**BIANCO**  
**WHITE**  
KELVIN  
COLOUR TEMPERATURE  
**3.000 K**

LUMEN  
**1.500 LM**

VATTAGGIO  
WATTAGE  
**15 W**

**DIMMERABILE**  
**DIMMABLE**

GRADO DI PROTEZIONE  
IP RATING  
**IP65**

DIREZIONE DELLA LUCE  
LIGHT DIRECTION  
**SUPERIORE**  
**UP**



# SPY

LAMPADA A PARETE WALL LAMP

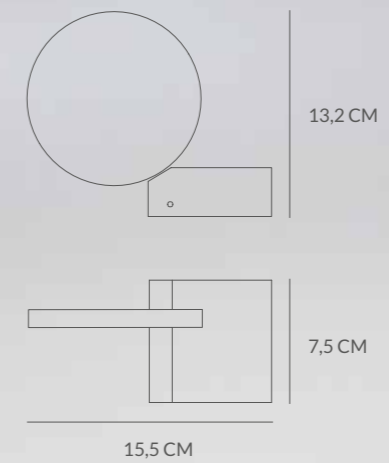


**0007.10**  
**BIANCO**  
**WHITE**

KELVIN  
COLOUR TEMPERATURE  
**3.000 K**

LUMEN  
**480 LM**

VATTAGGIO  
WATTAGE  
**8 W**







LAMPADA DA TAVOLO TABLE LAMP



**PUP METAL**  
**0028.71 DIM**  
**BIANCO**  
**WHITE**

KELVIN  
COLOUR TEMPERATURE  
**3.000 K**

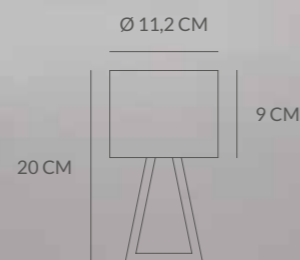
LUMEN  
**840 LM**

VATTAGGIO  
WATTAGE  
**11 W**

**DIMMERABILE**  
TRE LIVELLI DI LUMINOSITÀ,  
INTERRUTTORE TOUCH



**DIMMABLE**  
THREE LEVELS OF BRIGHTNESS,  
TOUCH SWITCH



**PUP GLASS**  
**0028.70 DIM**  
**BIANCO**  
**WHITE**

KELVIN  
COLOUR TEMPERATURE  
**3.000 K**

LUMEN  
**700 LM**

VATTAGGIO  
WATTAGE  
**7 W**

**DIMMERABILE**  
TRE LIVELLI DI LUMINOSITÀ,  
INTERRUTTORE TOUCH



**DIMMABLE**  
THREE LEVELS OF BRIGHTNESS,  
TOUCH SWITCH





DATI TECNICI

*TECHNICAL DATA*



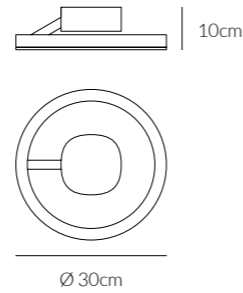
# HURRICANE

Plafoniera  
Ceiling lamp



**0001.20**  
CODICE EAN **8058776890013**  
**BIANCO/ WHITE**

KELVIN COLOUR TEMPERATURE <b>3.000 K</b>	ANGOLO BEAM ANGLE <b>120°</b>	VOLTAGGIO VOLTAGE <b>220-240V</b>
LUMEN <b>790 LM</b>	CRI <b>80</b>	FREQUENZA OPERATING FREQUENCY <b>50/60 HZ</b>
VATTAGGIO WATTAGE <b>16 W</b>	FATTORE DI POTENZA POWER FACTOR <b>&gt; 0.9</b>	
<b>NON DIMMERABILE NOT DIMMABLE</b>	<b>DRIVER INCLUSO DRIVER INCLUDED</b>	
GRADO DI PROTEZIONE IP RATING <b>IP20</b>	DURATA ORE LIFETIME HOURS <b>50.000</b>	
	MATERIALE MATERIAL <b>ALLUMINIO + ACRILICO ALUMINIUM + ACRYLIC</b>	



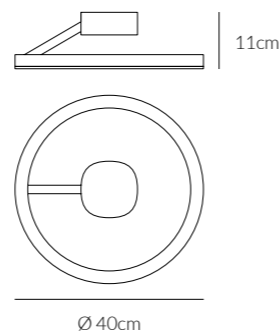
# HURRICANE

PLAFONIERA  
CEILING LAMP



**0001.21**  
CODICE EAN **8058776890020**  
**BIANCO/ WHITE**

KELVIN COLOUR TEMPERATURE <b>3.000 K</b>	ANGOLO BEAM ANGLE <b>120°</b>	VOLTAGGIO VOLTAGE <b>220-240V</b>
LUMEN <b>1.430 LM</b>	CRI <b>80</b>	FREQUENZA OPERATING FREQUENCY <b>50/60 HZ</b>
VATTAGGIO WATTAGE <b>21 W</b>	FATTORE DI POTENZA POWER FACTOR <b>&gt; 0.9</b>	
<b>NON DIMMERABILE NOT DIMMABLE</b>	<b>DRIVER INCLUSO DRIVER INCLUDED</b>	
GRADO DI PROTEZIONE IP RATING <b>IP20</b>	DURATA ORE LIFETIME HOURS <b>50.000</b>	
	MATERIALE MATERIAL <b>ALLUMINIO + ACRILICO ALUMINIUM + ACRYLIC</b>	



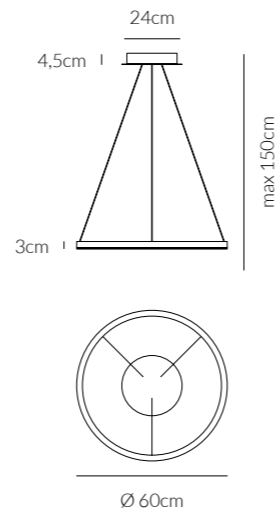
# HURRICANE

Sospensione  
Pendant lamp



**0001.30**  
CODICE EAN **8058776890037**  
**BIANCO/ WHITE**

KELVIN COLOUR TEMPERATURE <b>3.000 K</b>	ANGOLO BEAM ANGLE <b>120°</b>	VOLTAGGIO VOLTAGE <b>220-240V</b>
LUMEN <b>1.870 LM</b>	CRI <b>80</b>	FREQUENZA OPERATING FREQUENCY <b>50/60 HZ</b>
VATTAGGIO WATTAGE <b>38 W</b>	FATTORE DI POTENZA POWER FACTOR <b>&gt; 0.9</b>	
<b>NON DIMMERABILE NOT DIMMABLE</b>	<b>DRIVER INCLUSO DRIVER INCLUDED</b>	
GRADO DI PROTEZIONE IP RATING <b>IP20</b>	DURATA ORE LIFETIME HOURS <b>50.000</b>	
	MATERIALE MATERIAL <b>ALLUMINIO + ACRILICO ALUMINIUM + ACRYLIC</b>	



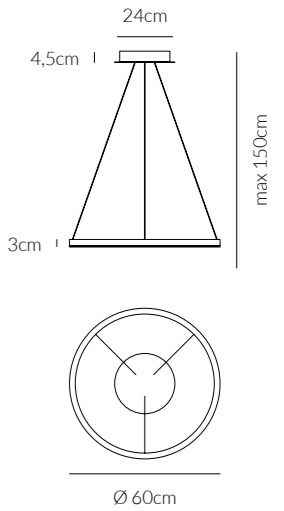
# HURRICANE

Sospensione  
Pendant lamp



**0001.30 DIM**  
CODICE EAN **8058776894462**  
**BIANCO/ WHITE**

KELVIN COLOUR TEMPERATURE <b>3.000 K</b>	ANGOLO BEAM ANGLE <b>120°</b>	VOLTAGGIO VOLTAGE <b>220-240V</b>
LUMEN <b>1.870 LM</b>	CRI <b>80</b>	FREQUENZA OPERATING FREQUENCY <b>50/60 HZ</b>
VATTAGGIO WATTAGE <b>38 W</b>	FATTORE DI POTENZA POWER FACTOR <b>&gt; 0.9</b>	
<b>DIMMERABILE DIMMABLE</b>	<b>DRIVER INCLUSO DRIVER INCLUDED</b>	
GRADO DI PROTEZIONE IP RATING <b>IP20</b>	DURATA ORE LIFETIME HOURS <b>50.000</b>	
	MATERIALE MATERIAL <b>ALLUMINIO + ACRILICO ALUMINIUM + ACRYLIC</b>	



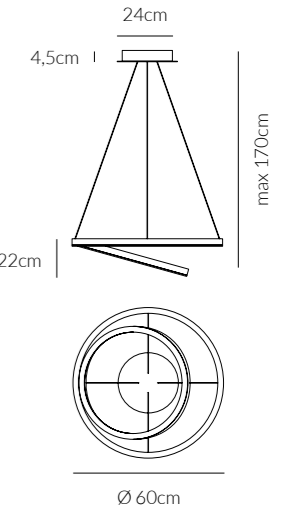
# HURRICANE

Sospensione  
Pendant lamp



**0001.31**  
CODICE EAN **8058776890044**  
**BIANCO/ WHITE**

KELVIN COLOUR TEMPERATURE <b>3.000 K</b>	ANGOLO BEAM ANGLE <b>120°</b>	VOLTAGGIO VOLTAGE <b>220-240V</b>
LUMEN <b>3.120 LM</b>	CRI <b>80</b>	FREQUENZA OPERATING FREQUENCY <b>50/60 HZ</b>
VATTAGGIO WATTAGE <b>60 W</b>	FATTORE DI POTENZA POWER FACTOR <b>&gt; 0.9</b>	
<b>NON DIMMERABILE NOT DIMMABLE</b>	<b>DRIVER INCLUSO DRIVER INCLUDED</b>	
GRADO DI PROTEZIONE IP RATING <b>IP20</b>	DURATA ORE LIFETIME HOURS <b>50.000</b>	
	MATERIALE MATERIAL <b>ALLUMINIO + ACRILICO ALUMINIUM + ACRYLIC</b>	



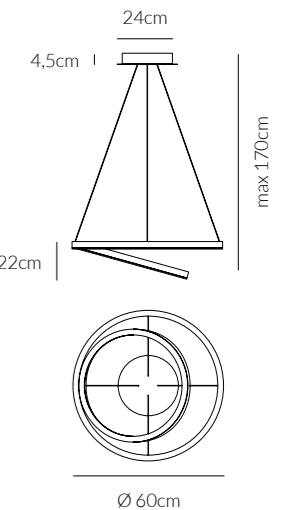
# HURRICANE

Sospensione  
Pendant lamp



**0001.31 DIM**  
CODICE EAN **8058776894479**  
**BIANCO/ WHITE**

KELVIN COLOUR TEMPERATURE <b>3.000 K</b>	ANGOLO BEAM ANGLE <b>120°</b>	VOLTAGGIO VOLTAGE <b>220-240V</b>
LUMEN <b>3.120 LM</b>	CRI <b>80</b>	FREQUENZA OPERATING FREQUENCY <b>50/60 HZ</b>
VATTAGGIO WATTAGE <b>60 W</b>	FATTORE DI POTENZA POWER FACTOR <b>&gt; 0.9</b>	
<b>DIMMERABILE DIMMABLE</b>	<b>DRIVER INCLUSO DRIVER INCLUDED</b>	
GRADO DI PROTEZIONE IP RATING <b>IP20</b>	DURATA ORE LIFETIME HOURS <b>50.000</b>	
	MATERIALE MATERIAL <b>ALLUMINIO + ACRILICO ALUMINIUM + ACRYLIC</b>	



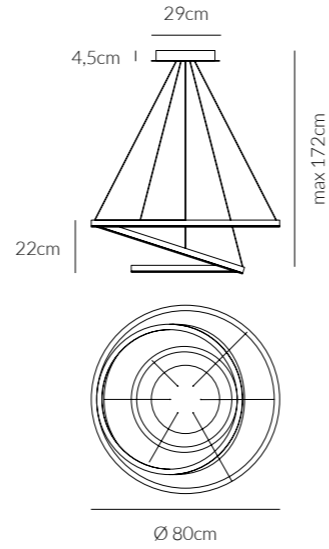
# HURRICANE

Sospensione  
Pendant lamp



**0001.32**  
CODICE EAN **8058776890051**  
**BIANCO/ WHITE**

KELVIN COLOUR TEMPERATURE <b>3.000 K</b>	ANGOLO BEAM ANGLE <b>120°</b>	VOLTAGGIO VOLTAGE <b>220-240V</b>
LUMEN <b>5.140 LM</b>	CRI <b>80</b>	FREQUENZA OPERATING FREQUENCY <b>50/60 HZ</b>
VATTAGGIO WATTAGE <b>105 W</b>	FATTORE DI POTENZA POWER FACTOR <b>&gt; 0.9</b>	
<b>NON DIMMERABILE</b> <b>NOT DIMMABLE</b>	<b>DRIVER INCLUSO</b> <b>DRIVER INCLUDED</b>	
GRADO DI PROTEZIONE IP RATING <b>IP20</b>	DURATA ORE LIFETIME HOURS <b>50.000</b>	
MATERIALE MATERIAL <b>ALLUMINIO + ACRILICO</b> <b>ALUMINIUM + ACRYLIC</b>		



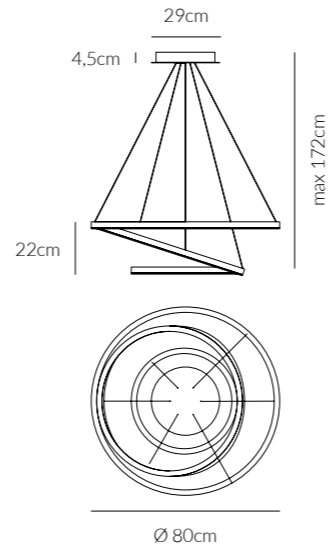
# HURRICANE

Sospensione  
Pendant lamp



**0001.32 DIM**  
CODICE EAN **8058776894486**  
**BIANCO/ WHITE**

KELVIN COLOUR TEMPERATURE <b>3.000 K</b>	ANGOLO BEAM ANGLE <b>120°</b>	VOLTAGGIO VOLTAGE <b>220-240V</b>
LUMEN <b>5.140 LM</b>	CRI <b>80</b>	FREQUENZA OPERATING FREQUENCY <b>50/60 HZ</b>
VATTAGGIO WATTAGE <b>105 W</b>	FATTORE DI POTENZA POWER FACTOR <b>&gt; 0.9</b>	
<b>DIMMERABILE</b> <b>DIMMABLE</b>	<b>DRIVER INCLUSO</b> <b>DRIVER INCLUDED</b>	
GRADO DI PROTEZIONE IP RATING <b>IP20</b>	DURATA ORE LIFETIME HOURS <b>50.000</b>	
MATERIALE MATERIAL <b>ALLUMINIO + ACRILICO</b> <b>ALUMINIUM + ACRYLIC</b>		



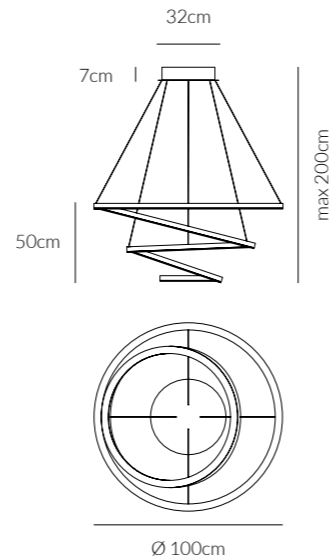
# HURRICANE

Sospensione  
Pendant lamp



**0001.33**  
CODICE EAN **8058776890068**  
**BIANCO/ WHITE**

KELVIN COLOUR TEMPERATURE <b>3.000 K</b>	ANGOLO BEAM ANGLE <b>120°</b>	VOLTAGGIO VOLTAGE <b>220-240V</b>
LUMEN <b>6.400 LM</b>	CRI <b>80</b>	FREQUENZA OPERATING FREQUENCY <b>50/60 HZ</b>
VATTAGGIO WATTAGE <b>175 W</b>	FATTORE DI POTENZA POWER FACTOR <b>&gt; 0.9</b>	
<b>NON DIMMERABILE</b> <b>NOT DIMMABLE</b>	<b>DRIVER INCLUSO</b> <b>DRIVER INCLUDED</b>	
GRADO DI PROTEZIONE IP RATING <b>IP20</b>	DURATA ORE LIFETIME HOURS <b>50.000</b>	
MATERIALE MATERIAL <b>ALLUMINIO + ACRILICO</b> <b>ALUMINIUM + ACRYLIC</b>		



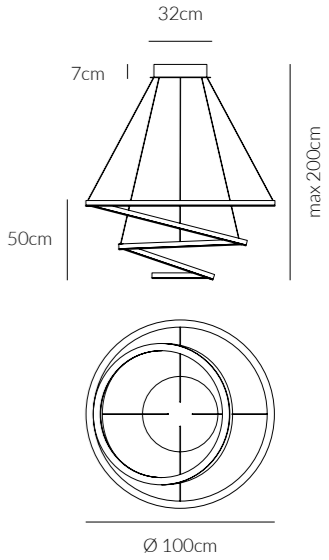
# HURRICANE

Sospensione  
Pendant lamp



**0001.33 DIM**  
CODICE EAN **8058776894493**  
**BIANCO/ WHITE**

KELVIN COLOUR TEMPERATURE <b>3.000 K</b>	ANGOLO BEAM ANGLE <b>120°</b>	VOLTAGGIO VOLTAGE <b>220-240V</b>
LUMEN <b>6.400 LM</b>	CRI <b>80</b>	FREQUENZA OPERATING FREQUENCY <b>50/60 HZ</b>
VATTAGGIO WATTAGE <b>175 W</b>	FATTORE DI POTENZA POWER FACTOR <b>&gt; 0.9</b>	
<b>DIMMERABILE</b> <b>DIMMABLE</b>	<b>DRIVER INCLUSO</b> <b>DRIVER INCLUDED</b>	
GRADO DI PROTEZIONE IP RATING <b>IP20</b>	DURATA ORE LIFETIME HOURS <b>50.000</b>	
MATERIALE MATERIAL <b>ALLUMINIO + ACRILICO</b> <b>ALUMINIUM + ACRYLIC</b>		



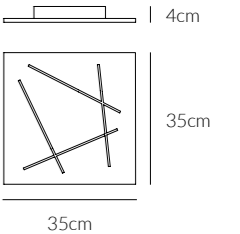
# FLAT

Plafoniera  
Ceiling lamp



**0002.20.BI W**  
CODICE EAN **8058776890075**  
**BIANCO/ WHITE**

KELVIN COLOUR TEMPERATURE <b>3.000 K</b>	ANGOLO BEAM ANGLE <b>120°</b>	VOLTAGGIO VOLTAGE <b>220-240V</b>
LUMEN <b>1.230 LM</b>	CRI <b>80</b>	FREQUENZA OPERATING FREQUENCY <b>50/60 HZ</b>
VATTAGGIO WATTAGE <b>31 W</b>	FATTORE DI POTENZA POWER FACTOR <b>&gt; 0.9</b>	
<b>NON DIMMERABILE</b> <b>NOT DIMMABLE</b>	<b>DRIVER INCLUSO</b> <b>DRIVER INCLUDED</b>	
GRADO DI PROTEZIONE IP RATING <b>IP20</b>	DURATA ORE LIFETIME HOURS <b>50.000</b>	
MATERIALE MATERIAL <b>ALLUMINIO + ACRILICO</b> <b>ALUMINIUM + ACRYLIC</b>		



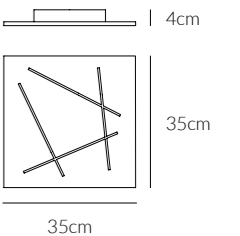
# FLAT

Plafoniera  
Ceiling lamp



**0002.20.BI N**  
CODICE EAN **8058776898699**  
**BIANCO/ WHITE**

KELVIN COLOUR TEMPERATURE <b>4.000 K</b>	ANGOLO BEAM ANGLE <b>120°</b>	VOLTAGGIO VOLTAGE <b>220-240V</b>
LUMEN <b>1.328 LM</b>	CRI <b>80</b>	FREQUENZA OPERATING FREQUENCY <b>50/60 HZ</b>
VATTAGGIO WATTAGE <b>31 W</b>	FATTORE DI POTENZA POWER FACTOR <b>&gt; 0.9</b>	
<b>NON DIMMERABILE</b> <b>NOT DIMMABLE</b>	<b>DRIVER INCLUSO</b> <b>DRIVER INCLUDED</b>	
GRADO DI PROTEZIONE IP RATING <b>IP20</b>	DURATA ORE LIFETIME HOURS <b>50.000</b>	
MATERIALE MATERIAL <b>ALLUMINIO + ACRILICO</b> <b>ALUMINIUM + ACRYLIC</b>		





# FLAT

Plafoniera  
Ceiling lamp



**0002.21.BI W**  
CODICE EAN 8058776890082  
BIANCO/ WHITE

KELVIN  
COLOUR TEMPERATURE  
**3.000 K**

LUMEN  
**1.630 LM**

VATTAGGIO  
WATTAGE  
**42 W**

**NON DIMMERABILE  
NOT DIMMABLE**

GRADO DI PROTEZIONE  
IP RATING  
**IP20**

MATERIALE  
MATERIAL  
**ALLUMINIO + ACRILICO  
ALUMINIUM + ACRYLIC**

ANGOLO  
BEAM ANGLE  
**120°**

CRI  
**80**

FATTORE DI POTENZA  
POWER FACTOR  
**> 0.9**

**DRIVER INCLUSO  
DRIVER INCLUDED**

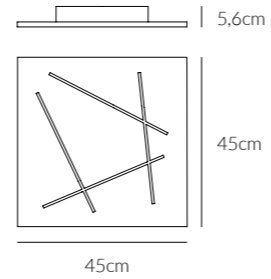
DURATA ORE  
LIFETIME HOURS  
**50.000**

**0002.21 NE W**  
CODICE EAN 8059606142258  
NERO/BLACK

VOLTAGGIO  
VOLTAGE  
**220-240V**

FREQUENZA  
OPERATING FREQUENCY  
**50/60 HZ**

**0002.21 SA W**  
CODICE EAN 8059606142265  
SABBIA/SAND



# FLAT

Plafoniera  
Ceiling lamp



**0002.22.BI N**  
CODICE EAN 8058776898798  
BIANCO/ WHITE

KELVIN  
COLOUR TEMPERATURE  
**4.000 K**

LUMEN  
**2.700 LM**

VATTAGGIO  
WATTAGE  
**51 W**

**NON DIMMERABILE  
NOT DIMMABLE**

GRADO DI PROTEZIONE  
IP RATING  
**IP20**

MATERIALE  
MATERIAL  
**ALLUMINIO + ACRILICO  
ALUMINIUM + ACRYLIC**

ANGOLO  
BEAM ANGLE  
**120°**

CRI  
**80**

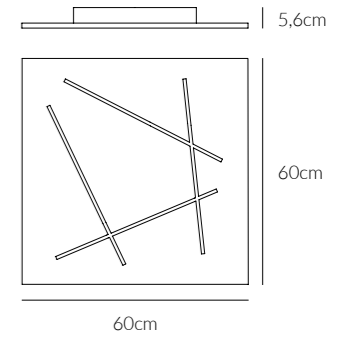
FATTORE DI POTENZA  
POWER FACTOR  
**> 0.9**

**DRIVER INCLUSO  
DRIVER INCLUDED**

DURATA ORE  
LIFETIME HOURS  
**50.000**

VOLTAGGIO  
VOLTAGE  
**220-240V**

FREQUENZA  
OPERATING FREQUENCY  
**50/60 HZ**



# FLAT

Plafoniera  
Ceiling lamp



**0002.21.BI N**  
CODICE EAN 8058776898705  
BIANCO/ WHITE

KELVIN  
COLOUR TEMPERATURE  
**4.000 K**

LUMEN  
**2.073 LM**

VATTAGGIO  
WATTAGE  
**42 W**

**NON DIMMERABILE  
NOT DIMMABLE**

GRADO DI PROTEZIONE  
IP RATING  
**IP20**

MATERIALE  
MATERIAL  
**ALLUMINIO + ACRILICO  
ALUMINIUM + ACRYLIC**

ANGOLO  
BEAM ANGLE  
**120°**

CRI  
**80**

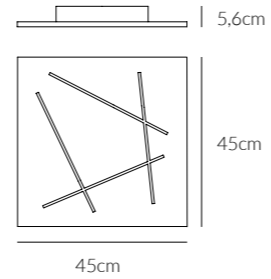
FATTORE DI POTENZA  
POWER FACTOR  
**> 0.9**

**DRIVER INCLUSO  
DRIVER INCLUDED**

DURATA ORE  
LIFETIME HOURS  
**50.000**

VOLTAGGIO  
VOLTAGE  
**220-240V**

FREQUENZA  
OPERATING FREQUENCY  
**50/60 HZ**



# HALO

Plafoniera  
Ceiling lamp



**0004.20**  
CODICE EAN 8058776890136  
BIANCO/ WHITE

KELVIN  
COLOUR TEMPERATURE  
**3.000 K**

LUMEN  
**1.700 LM**

VATTAGGIO  
WATTAGE  
**35 W**

**NON DIMMERABILE  
NOT DIMMABLE**

GRADO DI PROTEZIONE  
IP RATING  
**IP20**

MATERIALE  
MATERIAL  
**ALLUMINIO + ACRILICO  
ALUMINIUM + ACRYLIC**

ANGOLO  
BEAM ANGLE  
**120°**

CRI  
**80**

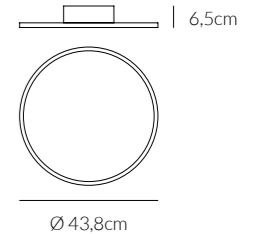
FATTORE DI POTENZA  
POWER FACTOR  
**> 0.9**

**DRIVER INCLUSO  
DRIVER INCLUDED**

DURATA ORE  
LIFETIME HOURS  
**50.000**

VOLTAGGIO  
VOLTAGE  
**220-240V**

FREQUENZA  
OPERATING FREQUENCY  
**50/60 HZ**



# FLAT

Plafoniera  
Ceiling lamp



**0002.22.BI W**  
CODICE EAN 8058776890099  
BIANCO/ WHITE

KELVIN  
COLOUR TEMPERATURE  
**3.000 K**

LUMEN  
**2.500 LM**

VATTAGGIO  
WATTAGE  
**51 W**

**NON DIMMERABILE  
NOT DIMMABLE**

GRADO DI PROTEZIONE  
IP RATING  
**IP20**

MATERIALE  
MATERIAL  
**ALLUMINIO + ACRILICO  
ALUMINIUM + ACRYLIC**

ANGOLO  
BEAM ANGLE  
**120°**

CRI  
**80**

FATTORE DI POTENZA  
POWER FACTOR  
**> 0.9**

**DRIVER INCLUSO  
DRIVER INCLUDED**

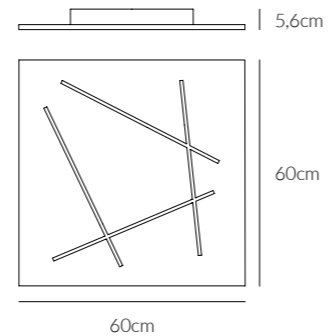
DURATA ORE  
LIFETIME HOURS  
**50.000**

**0002.22 NE W**  
CODICE EAN 8059606142272  
NERO/BLACK

VOLTAGGIO  
VOLTAGE  
**220-240V**

FREQUENZA  
OPERATING FREQUENCY  
**50/60 HZ**

**0002.22 SA W**  
CODICE EAN 8059606142289  
SABBIA/SAND



# HALO

Plafoniera  
Ceiling lamp



**0004.21**  
CODICE EAN 8058776890143  
BIANCO/ WHITE

KELVIN  
COLOUR TEMPERATURE  
**3.000 K**

LUMEN  
**3.290 LM**

VATTAGGIO  
WATTAGE  
**49 W**

**NON DIMMERABILE  
NOT DIMMABLE**

GRADO DI PROTEZIONE  
IP RATING  
**IP20**

MATERIALE  
MATERIAL  
**ALLUMINIO + ACRILICO  
ALUMINIUM + ACRYLIC**

ANGOLO  
BEAM ANGLE  
**120°**

CRI  
**80**

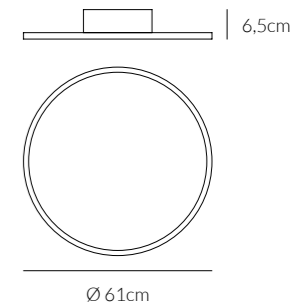
FATTORE DI POTENZA  
POWER FACTOR  
**> 0.9**

**DRIVER INCLUSO  
DRIVER INCLUDED**

DURATA ORE  
LIFETIME HOURS  
**50.000**

VOLTAGGIO  
VOLTAGE  
**220-240V**

FREQUENZA  
OPERATING FREQUENCY  
**50/60 HZ**



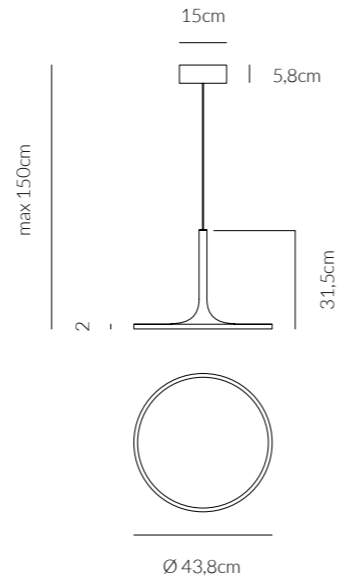
# HALO

Sospensione  
Pendant lamp



**0004.30**  
CODICE EAN **8058776890150**  
**BIANCO/ WHITE**

KELVIN COLOUR TEMPERATURE <b>3.000 K</b>	ANGOLO BEAM ANGLE <b>120°</b>	VOLTAGGIO VOLTAGE <b>220-240V</b>
LUMEN <b>1.700 LM</b>	CRI <b>80</b>	FREQUENZA OPERATING FREQUENCY <b>50/60 HZ</b>
VATTAGGIO WATTAGE <b>33 W</b>	FATTORE DI POTENZA POWER FACTOR <b>&gt; 0.9</b>	
<b>NON DIMMERABILE</b> <b>NOT DIMMABLE</b>	<b>DRIVER INCLUSO</b> <b>DRIVER INCLUDED</b>	
GRADO DI PROTEZIONE IP RATING <b>IP20</b>	DURATA ORE LIFETIME HOURS <b>50.000</b>	
MATERIALE MATERIAL <b>ALLUMINIO + ACRILICO</b> <b>ALUMINIUM + ACRYLIC</b>		



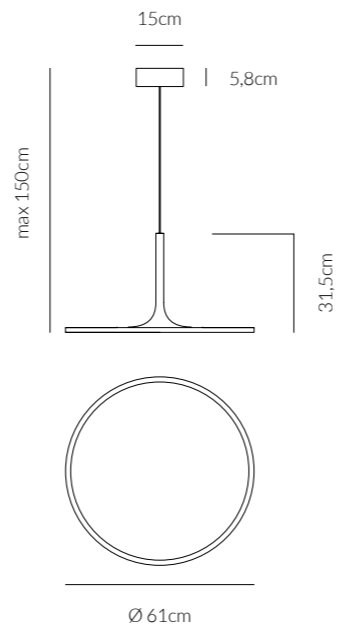
# HALO

Sospensione  
Pendant lamp



**0004.31**  
CODICE EAN **8058776890167**  
**BIANCO/ WHITE**

KELVIN COLOUR TEMPERATURE <b>3.000 K</b>	ANGOLO BEAM ANGLE <b>120°</b>	VOLTAGGIO VOLTAGE <b>220-240V</b>
LUMEN <b>2.450 LM</b>	CRI <b>80</b>	FREQUENZA OPERATING FREQUENCY <b>50/60 HZ</b>
VATTAGGIO WATTAGE <b>49 W</b>	FATTORE DI POTENZA POWER FACTOR <b>&gt; 0.9</b>	
<b>NON DIMMERABILE</b> <b>NOT DIMMABLE</b>	<b>DRIVER INCLUSO</b> <b>DRIVER INCLUDED</b>	
GRADO DI PROTEZIONE IP RATING <b>IP20</b>	DURATA ORE LIFETIME HOURS <b>50.000</b>	
MATERIALE MATERIAL <b>ALLUMINIO + ACRILICO</b> <b>ALUMINIUM + ACRYLIC</b>		



# LINE

Lampada a parete  
Wall lamp

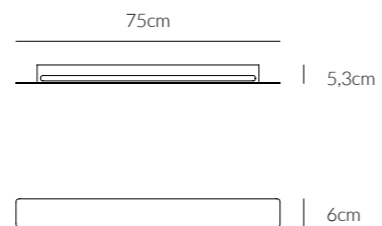


**0005.10.BI**  
CODICE EAN **8058776890174**  
**BIANCO/ WHITE**

**0005.10 NE**  
CODICE EAN **8059606142333**  
**NERO/BLACK**

**0005.10 SA**  
CODICE EAN **8059606142340**  
**SABBIA/SAND**

KELVIN COLOUR TEMPERATURE <b>3.000 K</b>	ANGOLO BEAM ANGLE <b>120°</b>	VOLTAGGIO VOLTAGE <b>100-240V</b>
LUMEN <b>1.630 LM</b>	CRI <b>80</b>	FREQUENZA OPERATING FREQUENCY <b>50/60 HZ</b>
VATTAGGIO WATTAGE <b>24 W</b>	FATTORE DI POTENZA POWER FACTOR <b>&gt; 0.9</b>	
<b>NON DIMMERABILE</b> <b>NOT DIMMABLE</b>	<b>DRIVER INCLUSO</b> <b>DRIVER INCLUDED</b>	
GRADO DI PROTEZIONE IP RATING <b>IP20</b>	DURATA ORE LIFETIME HOURS <b>50.000</b>	
MATERIALE MATERIAL <b>ALLUMINIO + ACRILICO</b> <b>ALUMINIUM + ACRYLIC</b>		



# LINE

Lampada a parete  
Wall lamp

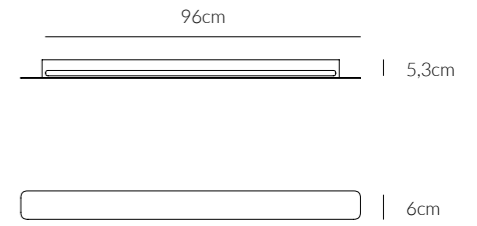


**0005.11.BI**  
CODICE EAN **8058776890181**  
**BIANCO/ WHITE**

**0005.11 NE**  
CODICE EAN **8059606142357**  
**NERO/BLACK**

**0005.11 SA**  
CODICE EAN **8059606142364**  
**SABBIA/SAND**

KELVIN COLOUR TEMPERATURE <b>3.000 K</b>	ANGOLO BEAM ANGLE <b>120°</b>	VOLTAGGIO VOLTAGE <b>100-240V</b>
LUMEN <b>2.000 LM</b>	CRI <b>80</b>	FREQUENZA OPERATING FREQUENCY <b>50/60 HZ</b>
VATTAGGIO WATTAGE <b>31 W</b>	FATTORE DI POTENZA POWER FACTOR <b>&gt; 0.9</b>	
<b>NON DIMMERABILE</b> <b>NOT DIMMABLE</b>	<b>DRIVER INCLUSO</b> <b>DRIVER INCLUDED</b>	
GRADO DI PROTEZIONE IP RATING <b>IP20</b>	DURATA ORE LIFETIME HOURS <b>50.000</b>	
MATERIALE MATERIAL <b>ALLUMINIO + ACRILICO</b> <b>ALUMINIUM + ACRYLIC</b>		



# CUBE

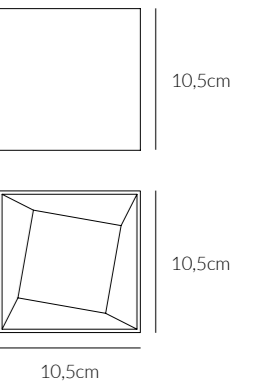
Plafoniera  
Ceiling lamp



**0006.20.BI**  
CODICE EAN **8058776890198**  
**BIANCO/ WHITE**

**0006.20 NE**  
CODICE EAN **8059606140025**  
**NERO/BLACK**

KELVIN COLOUR TEMPERATURE <b>3.000 K</b>	ANGOLO BEAM ANGLE <b>90°</b>	VOLTAGGIO VOLTAGE <b>220-240V</b>
LUMEN <b>1.120 LM</b>	CRI <b>80</b>	FREQUENZA OPERATING FREQUENCY <b>50/60 HZ</b>
VATTAGGIO WATTAGE <b>11,5 W</b>	FATTORE DI POTENZA POWER FACTOR <b>&gt; 0.9</b>	
<b>NON DIMMERABILE</b> <b>NOT DIMMABLE</b>	<b>DRIVER INCLUSO</b> <b>DRIVER INCLUDED</b>	
GRADO DI PROTEZIONE IP RATING <b>IP44</b>	DURATA ORE LIFETIME HOURS <b>35.000</b>	
MATERIALE MATERIAL <b>ALLUMINIO + ACRILICO</b> <b>ALUMINIUM + ACRYLIC</b>		



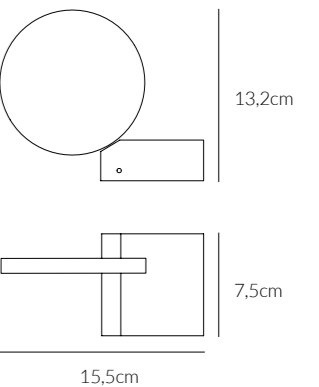
# SPY

Lampada a parete  
Wall lamp



**0007.10**  
CODICE EAN **8058776890204**  
**BIANCO/ WHITE**

KELVIN COLOUR TEMPERATURE <b>3.000 K</b>	ANGOLO BEAM ANGLE <b>74°</b>	VOLTAGGIO VOLTAGE <b>100-240V</b>
LUMEN <b>480 LM</b>	CRI <b>80</b>	FREQUENZA OPERATING FREQUENCY <b>50/60 HZ</b>
VATTAGGIO WATTAGE <b>8 W</b>	FATTORE DI POTENZA POWER FACTOR <b>&gt; 0.9</b>	
<b>NON DIMMERABILE</b> <b>NOT DIMMABLE</b>	<b>DRIVER INCLUSO</b> <b>DRIVER INCLUDED</b>	
GRADO DI PROTEZIONE IP RATING <b>IP20</b>	DURATA ORE LIFETIME HOURS <b>35.000</b>	
MATERIALE MATERIAL <b>ALLUMINIO + ACRILICO</b> <b>ALUMINIUM + ACRYLIC</b>		





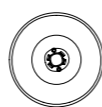
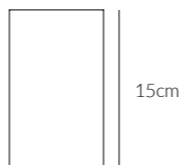
# CYBER

Plafoniera  
Ceiling lamp



**0008.20**  
CODICE EAN **8058776890211**  
**BIANCO/ WHITE**

KELVIN COLOUR TEMPERATURE <b>3.000 K</b>	ANGOLO BEAM ANGLE <b>45°</b>	VOLTAGGIO VOLTAGE <b>220-240V</b>
LUMEN <b>870 LM</b>	CRI <b>80</b>	FREQUENZA OPERATING FREQUENCY <b>50/60 HZ</b>
VATTAGGIO WATTAGE <b>11,5 W</b>	FATTORE DI POTENZA POWER FACTOR <b>&gt; 0.9</b>	
<b>NON DIMMERABILE NOT DIMMABLE</b>	<b>DRIVER INCLUSO DRIVER INCLUDED</b>	
GRADO DI PROTEZIONE IP RATING <b>IP20</b>	DURATA ORE LIFETIME HOURS <b>35.000</b>	
MATERIALE MATERIAL <b>ALLUMINIO ALUMINIUM</b>		



Ø 9cm

# CYBER

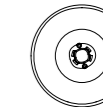
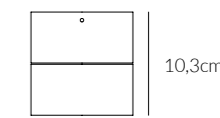
Plafoniera  
Ceiling lamp



**0008.23.BI**  
CODICE EAN **8058776890242**  
**BIANCO/ WHITE**

**0008.23 NE**  
CODICE EAN **8059606140063**  
**NERO/BLACK**

KELVIN COLOUR TEMPERATURE <b>3.000 K</b>	ANGOLO BEAM ANGLE <b>50°</b>	VOLTAGGIO VOLTAGE <b>220-240V</b>
LUMEN <b>1.474 LM</b>	CRI <b>80</b>	FREQUENZA OPERATING FREQUENCY <b>50/60 HZ</b>
VATTAGGIO WATTAGE <b>16 W</b>	FATTORE DI POTENZA POWER FACTOR <b>&gt; 0.9</b>	
<b>NON DIMMERABILE NOT DIMMABLE</b>	<b>DRIVER INCLUSO DRIVER INCLUDED</b>	
GRADO DI PROTEZIONE IP RATING <b>IP20</b>	DURATA ORE LIFETIME HOURS <b>35.000</b>	
MATERIALE MATERIAL <b>ALLUMINIO ALUMINIUM</b>		



Ø 10cm

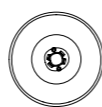
# CYBER

Plafoniera  
Ceiling lamp



**0008.21**  
CODICE EAN **8058776890228**  
**BIANCO/ WHITE**

KELVIN COLOUR TEMPERATURE <b>3.000 K</b>	ANGOLO BEAM ANGLE <b>45°</b>	VOLTAGGIO VOLTAGE <b>220-240V</b>
LUMEN <b>635 LM</b>	CRI <b>80</b>	FREQUENZA OPERATING FREQUENCY <b>50/60 HZ</b>
VATTAGGIO WATTAGE <b>7,5 W</b>	FATTORE DI POTENZA POWER FACTOR <b>&gt; 0.9</b>	
<b>NON DIMMERABILE NOT DIMMABLE</b>	<b>DRIVER INCLUSO DRIVER INCLUDED</b>	
GRADO DI PROTEZIONE IP RATING <b>IP20</b>	DURATA ORE LIFETIME HOURS <b>35.000</b>	
MATERIALE MATERIAL <b>ALLUMINIO ALUMINIUM</b>		



Ø 9cm

# CYBER

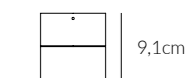
Plafoniera  
Ceiling lamp



**0008.24.BI**  
CODICE EAN **8058776895186**  
**BIANCO/ WHITE**

**0008.24 NE**  
CODICE EAN **8059606140087**  
**NERO/BLACK**

KELVIN COLOUR TEMPERATURE <b>3.000 K</b>	ANGOLO BEAM ANGLE <b>34°</b>	VOLTAGGIO VOLTAGE <b>220-240V</b>
LUMEN <b>945 LM</b>	CRI <b>80</b>	FREQUENZA OPERATING FREQUENCY <b>50/60 HZ</b>
VATTAGGIO WATTAGE <b>9,3 W</b>	FATTORE DI POTENZA POWER FACTOR <b>&gt; 0.9</b>	
<b>NON DIMMERABILE NOT DIMMABLE</b>	<b>DRIVER INCLUSO DRIVER INCLUDED</b>	
GRADO DI PROTEZIONE IP RATING <b>IP20</b>	DURATA ORE LIFETIME HOURS <b>35.000</b>	
MATERIALE MATERIAL <b>ALLUMINIO ALUMINIUM</b>		



Ø 7,5cm

# CYBER

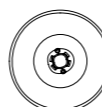
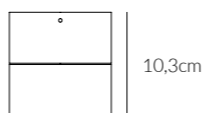
Plafoniera  
Ceiling lamp



**0008.22.BI**  
CODICE EAN **8058776890235**  
**BIANCO/ WHITE**

**0008.22 NE**  
CODICE EAN **8059606140049**  
**NERO/BLACK**

KELVIN COLOUR TEMPERATURE <b>3.000 K</b>	ANGOLO BEAM ANGLE <b>45°</b>	VOLTAGGIO VOLTAGE <b>220-240V</b>
LUMEN <b>870 LM</b>	CRI <b>80</b>	FREQUENZA OPERATING FREQUENCY <b>50/60 HZ</b>
VATTAGGIO WATTAGE <b>11,5 W</b>	FATTORE DI POTENZA POWER FACTOR <b>&gt; 0.9</b>	
<b>NON DIMMERABILE NOT DIMMABLE</b>	<b>DRIVER INCLUSO DRIVER INCLUDED</b>	
GRADO DI PROTEZIONE IP RATING <b>IP20</b>	DURATA ORE LIFETIME HOURS <b>35.000</b>	
MATERIALE MATERIAL <b>ALLUMINIO ALUMINIUM</b>		



Ø 10cm

# SKY FALL LENS

Lampada a parete  
Wall lamp



**0021.10.BI DIM**  
CODICE EAN **8058776890297**  
**BIANCO/ WHITE**

**0021.10.NE DIM**  
CODICE EAN **8059606141466**  
**NERO/BLACK**

KELVIN  
COLOUR TEMPERATURE  
**3.000 K**

ANGOLO  
BEAM ANGLE  
**204°**

VOLTAGGIO  
VOLTAGE  
**100-240V**

LUMEN  
**288 LM**

CRI  
**90**

FREQUENZA  
OPERATING FREQUENCY  
**50/60 HZ**

VATTAGGIO  
WATTAGE  
**2X3 W**

FATTORE DI POTENZA  
POWER FACTOR  
**> 0.5**

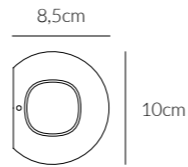
**DIMMERABILE**  
**DIMMABLE**

**DRIVER INCLUSO**  
**DRIVER INCLUDED**

GRADO DI PROTEZIONE  
IP RATING  
**IP54**

DURATA ORE  
LIFETIME HOURS  
**50.000**

MATERIALE  
MATERIAL  
**ALLUMINIO + VETRO**  
**ALUMINIUM + GLASS**



# SKY FALL

Sospensione  
Pendant lamp



**0021.30**  
CODICE EAN **8058776890303**  
**BIANCO/ WHITE**

KELVIN  
COLOUR TEMPERATURE  
**3.000 K**

ANGOLO  
BEAM ANGLE  
**120°**

VOLTAGGIO  
VOLTAGE  
**220-240V**

LUMEN  
**315 LM**

CRI  
**90**

FREQUENZA  
OPERATING FREQUENCY  
**50/60 HZ**

VATTAGGIO  
WATTAGE  
**6 W**

FATTORE DI POTENZA  
POWER FACTOR  
**> 0.9**

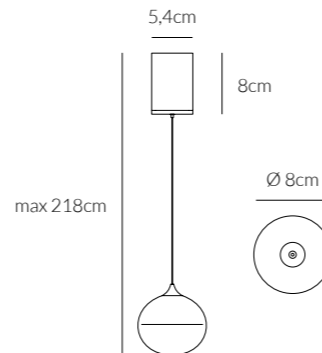
**NON DIMMERABILE**  
**NOT DIMMABLE**

**DRIVER INCLUSO**  
**DRIVER INCLUDED**

GRADO DI PROTEZIONE  
IP RATING  
**IP20**

DURATA ORE  
LIFETIME HOURS  
**50.000**

MATERIALE  
MATERIAL  
**ALLUMINIO + ACRILICO**  
**ALUMINIUM + ACRYLIC**



# SKY FALL LENS

Sospensione  
Pendant lamp



**0021.32**  
CODICE EAN **8058776890327**  
**BIANCO/ WHITE**

KELVIN  
COLOUR TEMPERATURE  
**3.000 K**

ANGOLO  
BEAM ANGLE  
**120°**

VOLTAGGIO  
VOLTAGE  
**220-240V**

LUMEN  
**315 LM**

CRI  
**90**

FREQUENZA  
OPERATING FREQUENCY  
**50/60 HZ**

VATTAGGIO  
WATTAGE  
**6 W**

FATTORE DI POTENZA  
POWER FACTOR  
**> 0.9**

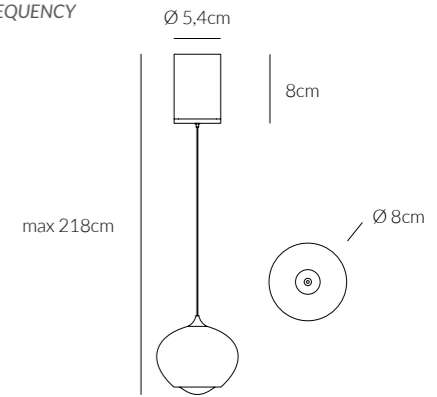
**NON DIMMERABILE**  
**NOT DIMMABLE**

**DRIVER INCLUSO**  
**DRIVER INCLUDED**

GRADO DI PROTEZIONE  
IP RATING  
**IP20**

DURATA ORE  
LIFETIME HOURS  
**50.000**

MATERIALE  
MATERIAL  
**ALLUMINIO + VETRO**  
**ALUMINIUM + GLASS**



# SKY FALL LENS

Sospensione  
Pendant lamp



**0021.33**  
CODICE EAN **8058776890334**  
**BIANCO/ WHITE**

KELVIN  
COLOUR TEMPERATURE  
**3.000 K**

ANGOLO  
BEAM ANGLE  
**120°**

VOLTAGGIO  
VOLTAGE  
**220-240V**

LUMEN  
**945 LM**

CRI  
**90**

FREQUENZA  
OPERATING FREQUENCY  
**50/60 HZ**

VATTAGGIO  
WATTAGE  
**3X6 W**

FATTORE DI POTENZA  
POWER FACTOR  
**> 0.9**

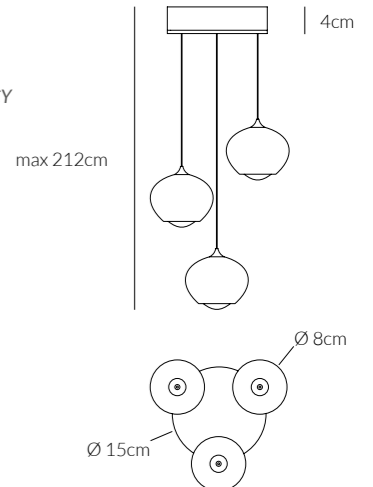
**NON DIMMERABILE**  
**NOT DIMMABLE**

**DRIVER INCLUSO**  
**DRIVER INCLUDED**

GRADO DI PROTEZIONE  
IP RATING  
**IP20**

DURATA ORE  
LIFETIME HOURS  
**50.000**

MATERIALE  
MATERIAL  
**ALLUMINIO + VETRO**  
**ALUMINIUM + GLASS**



# SKY FALL

Sospensione  
Pendant lamp



**0021.31**  
CODICE EAN **8058776890310**  
**BIANCO/ WHITE**

KELVIN  
COLOUR TEMPERATURE  
**3.000 K**

ANGOLO  
BEAM ANGLE  
**120°**

VOLTAGGIO  
VOLTAGE  
**220-240V**

LUMEN  
**945 LM**

CRI  
**90**

FREQUENZA  
OPERATING FREQUENCY  
**50/60 HZ**

VATTAGGIO  
WATTAGE  
**3X6 W**

FATTORE DI POTENZA  
POWER FACTOR  
**> 0.9**

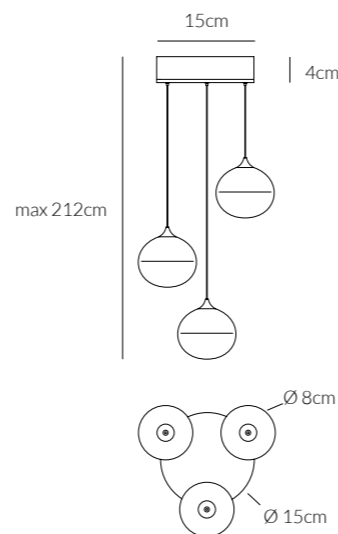
**NON DIMMERABILE**  
**NOT DIMMABLE**

**DRIVER INCLUSO**  
**DRIVER INCLUDED**

GRADO DI PROTEZIONE  
IP RATING  
**IP20**

DURATA ORE  
LIFETIME HOURS  
**50.000**

MATERIALE  
MATERIAL  
**ALLUMINIO + ACRILICO**  
**ALUMINIUM + ACRYLIC**



# SKY FALL LENS

Sospensione  
Pendant lamp



**0021.34**  
CODICE EAN **8058776890341**  
**BIANCO/ WHITE**

KELVIN  
COLOUR TEMPERATURE  
**3.000 K**

ANGOLO  
BEAM ANGLE  
**120°**

VOLTAGGIO  
VOLTAGE  
**220-240V**

LUMEN  
**315 LM**

CRI  
**90**

FREQUENZA  
OPERATING FREQUENCY  
**50/60 HZ**

VATTAGGIO  
WATTAGE  
**6 W**

FATTORE DI POTENZA  
POWER FACTOR  
**> 0.9**

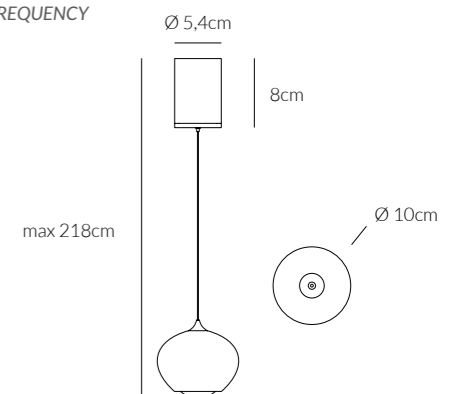
**NON DIMMERABILE**  
**NOT DIMMABLE**

**DRIVER INCLUSO**  
**DRIVER INCLUDED**

GRADO DI PROTEZIONE  
IP RATING  
**IP20**

DURATA ORE  
LIFETIME HOURS  
**50.000**

MATERIALE  
MATERIAL  
**ALLUMINIO + VETRO**  
**ALUMINIUM + GLASS**





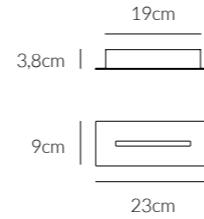
WAY

Plafoniera  
Ceiling lamp



**0023.20**  
CODICE EAN **8058776891928**  
**BIANCO/ WHITE**

KELVIN COLOUR TEMPERATURE <b>3.000 K</b>	ANGOLO BEAM ANGLE <b>120°</b>	VOLTAGGIO VOLTAGE <b>220-240V</b>
LUMEN <b>260 LM</b>	CRI <b>80</b>	FREQUENZA OPERATING FREQUENCY <b>50/60 HZ</b>
VATTAGGIO WATTAGE <b>9 W</b>	FATTORE DI POTENZA POWER FACTOR <b>&gt; 0.9</b>	
<b>NON DIMMERABILE NOT DIMMABLE</b>	<b>DRIVER INCLUSO DRIVER INCLUDED</b>	
GRADO DI PROTEZIONE IP RATING <b>IP20</b>	DURATA ORE LIFETIME HOURS <b>50.000</b>	
MATERIALE MATERIAL <b>ALLUMINIO + FERRO + ACRILICO ALUMINIUM + IRON + ACRYLIC</b>		



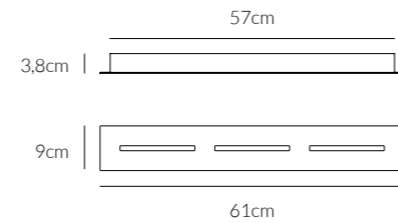
WAY

Plafoniera  
Ceiling lamp



**0023.21**  
CODICE EAN **8058776891935**  
**BIANCO/ WHITE**

KELVIN COLOUR TEMPERATURE <b>3.000 K</b>	ANGOLO BEAM ANGLE <b>120°</b>	VOLTAGGIO VOLTAGE <b>220-240V</b>
LUMEN <b>700 LM</b>	CRI <b>80</b>	FREQUENZA OPERATING FREQUENCY <b>50/60 HZ</b>
VATTAGGIO WATTAGE <b>25 W</b>	FATTORE DI POTENZA POWER FACTOR <b>&gt; 0.9</b>	
<b>NON DIMMERABILE NOT DIMMABLE</b>	<b>DRIVER INCLUSO DRIVER INCLUDED</b>	
GRADO DI PROTEZIONE IP RATING <b>IP20</b>	DURATA ORE LIFETIME HOURS <b>50.000</b>	
MATERIALE MATERIAL <b>ALLUMINIO + FERRO + ACRILICO ALUMINIUM + IRON + ACRYLIC</b>		



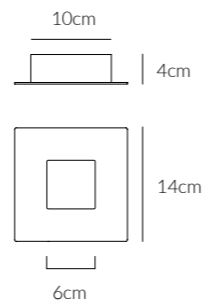
SQUARE

Plafoniera  
Ceiling lamp



**0024.20**  
CODICE EAN **8058776891942**  
**BIANCO/ WHITE**

KELVIN COLOUR TEMPERATURE <b>3.000 K</b>	ANGOLO BEAM ANGLE <b>120°</b>	VOLTAGGIO VOLTAGE <b>220-240V</b>
LUMEN <b>392 LM</b>	CRI <b>80</b>	FREQUENZA OPERATING FREQUENCY <b>50/60 HZ</b>
VATTAGGIO WATTAGE <b>8 W</b>	FATTORE DI POTENZA POWER FACTOR <b>&gt; 0.5</b>	
<b>NON DIMMERABILE NOT DIMMABLE</b>	<b>DRIVER INCLUSO DRIVER INCLUDED</b>	
GRADO DI PROTEZIONE IP RATING <b>IP20</b>	DURATA ORE LIFETIME HOURS <b>50.000</b>	
MATERIALE MATERIAL <b>ALLUMINIO + FERRO + ACRILICO ALUMINIUM + IRON + ACRYLIC</b>		



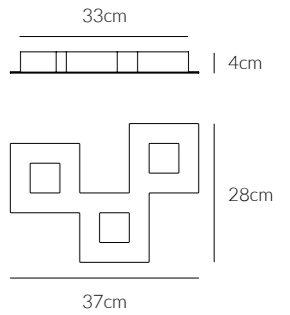
SQUARE

Plafoniera  
Ceiling lamp



**0024.21**  
CODICE EAN **8058776891959**  
**BIANCO/ WHITE**

KELVIN COLOUR TEMPERATURE <b>3.000 K</b>	ANGOLO BEAM ANGLE <b>120°</b>	VOLTAGGIO VOLTAGE <b>220-240V</b>
LUMEN <b>980 LM</b>	CRI <b>80</b>	FREQUENZA OPERATING FREQUENCY <b>50/60 HZ</b>
VATTAGGIO WATTAGE <b>20 W</b>	FATTORE DI POTENZA POWER FACTOR <b>&gt; 0.5</b>	
<b>NON DIMMERABILE NOT DIMMABLE</b>	<b>DRIVER INCLUSO DRIVER INCLUDED</b>	
GRADO DI PROTEZIONE IP RATING <b>IP20</b>	DURATA ORE LIFETIME HOURS <b>50.000</b>	
MATERIALE MATERIAL <b>ALLUMINIO + FERRO + ACRILICO ALUMINIUM + IRON + ACRYLIC</b>		



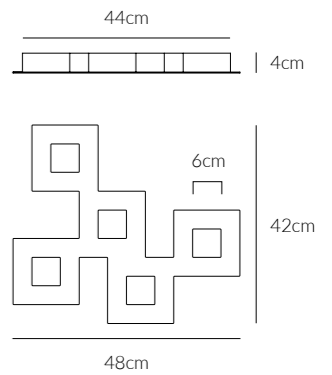
SQUARE

Plafoniera  
Ceiling lamp



**0024.22**  
CODICE EAN **8058776891966**  
**BIANCO/ WHITE**

KELVIN COLOUR TEMPERATURE <b>3.000 K</b>	ANGOLO BEAM ANGLE <b>120°</b>	VOLTAGGIO VOLTAGE <b>220-240V</b>
LUMEN <b>1.730 LM</b>	CRI <b>80</b>	FREQUENZA OPERATING FREQUENCY <b>50/60 HZ</b>
VATTAGGIO WATTAGE <b>37 W</b>	FATTORE DI POTENZA POWER FACTOR <b>&gt; 0.5</b>	
<b>NON DIMMERABILE NOT DIMMABLE</b>	<b>DRIVER INCLUSO DRIVER INCLUDED</b>	
GRADO DI PROTEZIONE IP RATING <b>IP20</b>	DURATA ORE LIFETIME HOURS <b>50.000</b>	
MATERIALE MATERIAL <b>ALLUMINIO + FERRO + ACRILICO ALUMINIUM + IRON + ACRYLIC</b>		



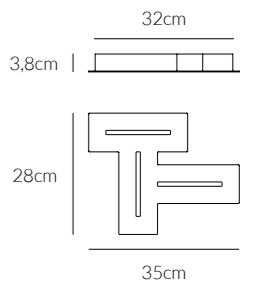
MAZE

Plafoniera  
Ceiling lamp



**0025.20**  
CODICE EAN **8058776891973**  
**BIANCO/ WHITE**

KELVIN COLOUR TEMPERATURE <b>3.000 K</b>	ANGOLO BEAM ANGLE <b>120°</b>	VOLTAGGIO VOLTAGE <b>220-240V</b>
LUMEN <b>620 LM</b>	CRI <b>80</b>	FREQUENZA OPERATING FREQUENCY <b>50/60 HZ</b>
VATTAGGIO WATTAGE <b>24 W</b>	FATTORE DI POTENZA POWER FACTOR <b>&gt; 0.9</b>	
<b>NON DIMMERABILE NOT DIMMABLE</b>	<b>DRIVER INCLUSO DRIVER INCLUDED</b>	
GRADO DI PROTEZIONE IP RATING <b>IP20</b>	DURATA ORE LIFETIME HOURS <b>50.000</b>	
MATERIALE MATERIAL <b>ALLUMINIO + FERRO + ACRILICO ALUMINIUM + IRON + ACRYLIC</b>		



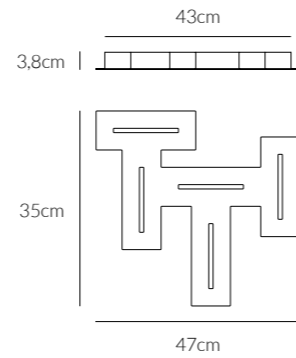
# MAZE

Plafoniera  
Ceiling lamp



**0025.21**  
CODICE EAN **8058776891980**  
**BIANCO/ WHITE**

KELVIN COLOUR TEMPERATURE <b>3.000 K</b>	ANGOLO BEAM ANGLE <b>120°</b>	VOLTAGGIO VOLTAGE <b>220-240V</b>
LUMEN <b>800 LM</b>	CRI <b>80</b>	FREQUENZA OPERATING FREQUENCY <b>50/60 HZ</b>
VATTAGGIO WATTAGE <b>37 W</b>	FATTORE DI POTENZA POWER FACTOR <b>&gt; 0.9</b>	
<b>NON DIMMERABILE</b> <b>NOT DIMMABLE</b>	<b>DRIVER INCLUSO</b> <b>DRIVER INCLUDED</b>	
GRADO DI PROTEZIONE IP RATING <b>IP20</b>	DURATA ORE LIFETIME HOURS <b>50.000</b>	
MATERIALE MATERIAL <b>ALLUMINIO + FERRO + ACRILICO</b> <b>ALUMINIUM + IRON + ACRYLIC</b>		



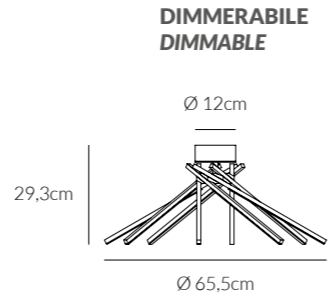
# SHANG

Plafoniera  
Ceiling lamp



**0026.20**  
CODICE EAN **8058776895513**  
**BIANCO/ WHITE**

KELVIN COLOUR TEMPERATURE <b>3.000 K</b>	ANGOLO BEAM ANGLE <b>120°</b>	VOLTAGGIO VOLTAGE <b>220-240V</b>
LUMEN <b>2.100 LM</b>	CRI <b>90</b>	FREQUENZA OPERATING FREQUENCY <b>50/60 HZ</b>
VATTAGGIO WATTAGE <b>21 W</b>	FATTORE DI POTENZA POWER FACTOR <b>&gt; 0.9</b>	
<b>NON DIMMERABILE</b> <b>NOT DIMMABLE</b>	<b>DRIVER INCLUSO</b> <b>DRIVER INCLUDED</b>	
GRADO DI PROTEZIONE IP RATING <b>IP20</b>	DURATA ORE LIFETIME HOURS <b>50.000</b>	
MATERIALE MATERIAL <b>ALLUMINIO + ACRILICO</b> <b>ALUMINIUM + ACRYLIC</b>		



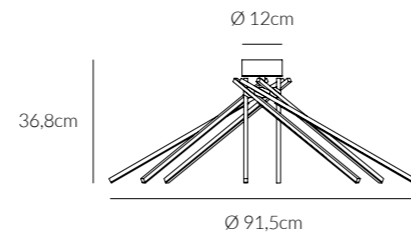
# SHANG

Plafoniera  
Ceiling lamp



**0026.21**  
CODICE EAN **8058776895520**  
**BIANCO/ WHITE**

KELVIN COLOUR TEMPERATURE <b>3.000 K</b>	ANGOLO BEAM ANGLE <b>120°</b>	VOLTAGGIO VOLTAGE <b>220-240V</b>
LUMEN <b>3.000 LM</b>	CRI <b>90</b>	FREQUENZA OPERATING FREQUENCY <b>50/60 HZ</b>
VATTAGGIO WATTAGE <b>30 W</b>	FATTORE DI POTENZA POWER FACTOR <b>&gt; 0.9</b>	
<b>NON DIMMERABILE</b> <b>NOT DIMMABLE</b>	<b>DRIVER INCLUSO</b> <b>DRIVER INCLUDED</b>	
GRADO DI PROTEZIONE IP RATING <b>IP20</b>	DURATA ORE LIFETIME HOURS <b>50.000</b>	
MATERIALE MATERIAL <b>ALLUMINIO + ACRILICO</b> <b>ALUMINIUM + ACRYLIC</b>		



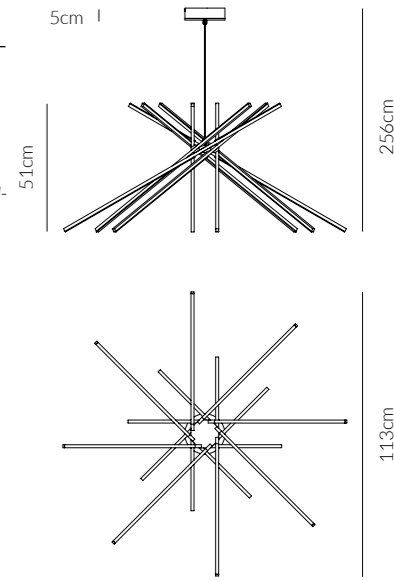
# SHANG

Sospensione  
Pendant lamp



**0026.32**  
CODICE EAN **8058776893557**  
**BIANCO/ WHITE**

KELVIN COLOUR TEMPERATURE <b>3.000 K</b>	ANGOLO BEAM ANGLE <b>240°</b>	VOLTAGGIO VOLTAGE <b>100-240V</b>
LUMEN <b>5.000 LM</b>	CRI <b>90</b>	FREQUENZA OPERATING FREQUENCY <b>50/60 HZ</b>
VATTAGGIO WATTAGE <b>54 W</b>	FATTORE DI POTENZA POWER FACTOR <b>&gt; 0.9</b>	
<b>NON DIMMERABILE</b> <b>NOT DIMMABLE</b>	<b>DRIVER INCLUSO</b> <b>DRIVER INCLUDED</b>	
GRADO DI PROTEZIONE IP RATING <b>IP20</b>	DURATA ORE LIFETIME HOURS <b>50.000</b>	
MATERIALE MATERIAL <b>ALLUMINIO + ACRILICO</b> <b>ALUMINIUM + ACRYLIC</b>		



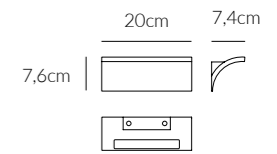
# FOIL

Lampada a parete  
Wall lamp



**0027.10 DIM**  
CODICE EAN **8058776893564**  
**BIANCO/ WHITE**

KELVIN COLOUR TEMPERATURE <b>3.000 K</b>	ANGOLO BEAM ANGLE <b>104°</b>	VOLTAGGIO VOLTAGE <b>220-240V</b>
LUMEN <b>800 LM</b>	CRI <b>90</b>	FREQUENZA OPERATING FREQUENCY <b>50/60 HZ</b>
VATTAGGIO WATTAGE <b>8 W</b>	FATTORE DI POTENZA POWER FACTOR <b>&gt; 0.9</b>	
<b>DIMMERABILE</b> <b>DIMMABLE</b>	<b>DRIVER INCLUSO</b> <b>DRIVER INCLUDED</b>	
GRADO DI PROTEZIONE IP RATING <b>IP54</b>	DURATA ORE LIFETIME HOURS <b>50.000</b>	
MATERIALE MATERIAL <b>ALLUMINIO + ACRILICO</b> <b>ALUMINIUM + ACRYLIC</b>		



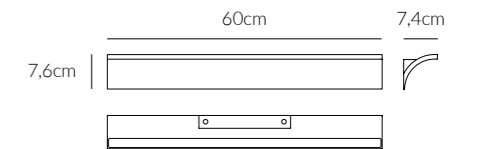
# FOIL

Lampada a parete  
Wall lamp



**0027.11 DIM**  
CODICE EAN **8058776893571**  
**BIANCO/ WHITE**

KELVIN COLOUR TEMPERATURE <b>3.000 K</b>	ANGOLO BEAM ANGLE <b>88°</b>	VOLTAGGIO VOLTAGE <b>220-240V</b>
LUMEN <b>1.500 LM</b>	CRI <b>90</b>	FREQUENZA OPERATING FREQUENCY <b>50/60 HZ</b>
VATTAGGIO WATTAGE <b>15 W</b>	FATTORE DI POTENZA POWER FACTOR <b>&gt; 0.9</b>	
<b>DIMMERABILE</b> <b>DIMMABLE</b>	<b>DRIVER INCLUSO</b> <b>DRIVER INCLUDED</b>	
GRADO DI PROTEZIONE IP RATING <b>IP54</b>	DURATA ORE LIFETIME HOURS <b>50.000</b>	
MATERIALE MATERIAL <b>ALLUMINIO + ACRILICO</b> <b>ALUMINIUM + ACRYLIC</b>		





# PUP GLASS

Lampada da tavolo  
Table lamp

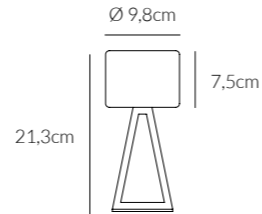


TRE LIVELLI DI LUMINOSITÀ,  
INTERRUTTORE TOUCH.  
THREE LEVELS OF BRIGHTNESS,  
TOUCH SWITCH.



**0028.70 DIM**  
CODICE EAN **8058776893588**  
**BIANCO/ WHITE**

KELVIN COLOUR TEMPERATURE <b>3.000 K</b>	ANGOLO BEAM ANGLE <b>UP 120° - DOWN 38°</b>	VOLTAGGIO VOLTAGE <b>220-240V</b>
LUMEN <b>700 LM</b>	CRI <b>90</b>	FREQUENZA OPERATING FREQUENCY <b>50/60 HZ</b>
VATTAGGIO WATTAGE <b>7 W</b>	FATTORE DI POTENZA POWER FACTOR <b>&gt; 0.5</b>	
<b>DIMMERABILE DIMMABLE</b>	<b>DRIVER INCLUSO DRIVER INCLUDED</b>	
GRADO DI PROTEZIONE IP RATING <b>IP20</b>	DURATA ORE LIFETIME HOURS <b>50.000</b>	
MATERIALE MATERIAL <b>ALLUMINIO + ACRILICO ALUMINIUM + ACRYLIC</b>		



# PUP METAL

Lampada da tavolo  
Table lamp

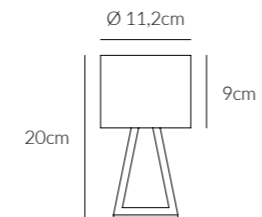


TRE LIVELLI DI LUMINOSITÀ,  
INTERRUTTORE TOUCH.  
THREE LEVELS OF BRIGHTNESS,  
TOUCH SWITCH.



**0028.71 DIM**  
CODICE EAN **8058776893595**  
**BIANCO/ WHITE**

KELVIN COLOUR TEMPERATURE <b>3.000 K</b>	ANGOLO BEAM ANGLE <b>UP 120° - DOWN 38°</b>	VOLTAGGIO VOLTAGE <b>220-240V</b>
LUMEN <b>840 LM</b>	CRI <b>90</b>	FREQUENZA OPERATING FREQUENCY <b>50/60 HZ</b>
VATTAGGIO WATTAGE <b>11 W</b>	FATTORE DI POTENZA POWER FACTOR <b>&gt; 0.5</b>	
<b>DIMMERABILE DIMMABLE</b>	<b>DRIVER INCLUSO DRIVER INCLUDED</b>	
GRADO DI PROTEZIONE IP RATING <b>IP20</b>	DURATA ORE LIFETIME HOURS <b>50.000</b>	
MATERIALE MATERIAL <b>ALLUMINIO + ACRILICO ALUMINIUM + ACRYLIC</b>		



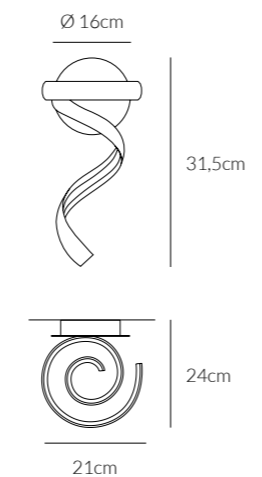
# FLAME

Lampada a parete  
Wall lamp



<b>0029.10.BI W</b> CODICE EAN <b>8058776894509</b> <b>BIANCO/ WHITE</b>	<b>0029.10.NE W</b> CODICE EAN <b>8059606142203</b> <b>NERO/BLACK</b>	<b>0029.10 SA W</b> CODICE EAN <b>8059606142210</b> <b>SABBIA/SAND</b>
--	---	--

KELVIN COLOUR TEMPERATURE <b>3.000 K</b>	ANGOLO BEAM ANGLE <b>120°</b>	VOLTAGGIO VOLTAGE <b>220-240V</b>
LUMEN <b>720 LM</b>	CRI <b>80</b>	FREQUENZA OPERATING FREQUENCY <b>50/60 HZ</b>
VATTAGGIO WATTAGE <b>12 W</b>	FATTORE DI POTENZA POWER FACTOR <b>&gt; 0.5</b>	
<b>NON DIMMERABILE NOT DIMMABLE</b>	<b>DRIVER INCLUSO DRIVER INCLUDED</b>	
GRADO DI PROTEZIONE IP RATING <b>IP20</b>	DURATA ORE LIFETIME HOURS <b>50.000</b>	
MATERIALE MATERIAL <b>ALLUMINIO + SILICONE ALUMINIUM + SILICONE</b>		



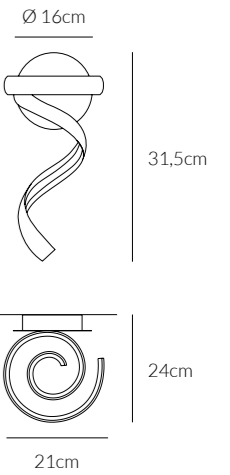
# FLAME

Lampada a parete  
Wall lamp



**0029.10.BI N**  
CODICE EAN **8058776898804**  
**BIANCO/ WHITE**

KELVIN COLOUR TEMPERATURE <b>4.000 K</b>	ANGOLO BEAM ANGLE <b>120°</b>	VOLTAGGIO VOLTAGE <b>220-240V</b>
LUMEN <b>777 LM</b>	CRI <b>80</b>	FREQUENZA OPERATING FREQUENCY <b>50/60 HZ</b>
VATTAGGIO WATTAGE <b>12 W</b>	FATTORE DI POTENZA POWER FACTOR <b>&gt; 0.5</b>	
<b>NON DIMMERABILE NOT DIMMABLE</b>	<b>DRIVER INCLUSO DRIVER INCLUDED</b>	
GRADO DI PROTEZIONE IP RATING <b>IP20</b>	DURATA ORE LIFETIME HOURS <b>50.000</b>	
MATERIALE MATERIAL <b>ALLUMINIO + SILICONE ALUMINIUM + SILICONE</b>		



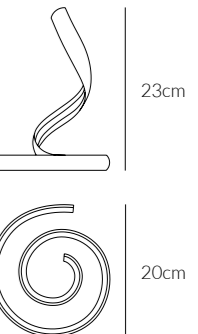
# FLAME

Lampada da tavolo  
Table lamp



<b>0029.40.BI W</b> CODICE EAN <b>8058776892444</b> <b>BIANCO/ WHITE</b>	<b>0029.40.NE W</b> CODICE EAN <b>8059606142180</b> <b>NERO/BLACK</b>	<b>0029.40 SA W</b> CODICE EAN <b>8059606142197</b> <b>SABBIA/SAND</b>
--	---	--

KELVIN COLOUR TEMPERATURE <b>3.000 K</b>	ANGOLO BEAM ANGLE <b>120°</b>	VOLTAGGIO VOLTAGE <b>220-240V</b>
LUMEN <b>720 LM</b>	CRI <b>80</b>	FREQUENZA OPERATING FREQUENCY <b>50/60 HZ</b>
VATTAGGIO WATTAGE <b>12 W</b>	FATTORE DI POTENZA POWER FACTOR <b>&gt; 0.5</b>	
<b>NON DIMMERABILE NOT DIMMABLE</b>	<b>DRIVER INCLUSO DRIVER INCLUDED</b>	
GRADO DI PROTEZIONE IP RATING <b>IP20</b>	DURATA ORE LIFETIME HOURS <b>50.000</b>	
MATERIALE MATERIAL <b>ALLUMINIO + SILICONE ALUMINIUM + SILICONE</b>		



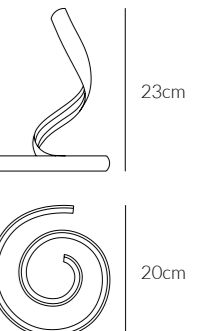
# FLAME

Lampada da tavolo  
Table lamp



**0029.40.BI N**  
CODICE EAN **8058776898811**  
**BIANCO/ WHITE**

KELVIN COLOUR TEMPERATURE <b>4.000 K</b>	ANGOLO BEAM ANGLE <b>120°</b>	VOLTAGGIO VOLTAGE <b>220-240V</b>
LUMEN <b>777 LM</b>	CRI <b>80</b>	FREQUENZA OPERATING FREQUENCY <b>50/60 HZ</b>
VATTAGGIO WATTAGE <b>12 W</b>	FATTORE DI POTENZA POWER FACTOR <b>&gt; 0.5</b>	
<b>NON DIMMERABILE NOT DIMMABLE</b>	<b>DRIVER INCLUSO DRIVER INCLUDED</b>	
GRADO DI PROTEZIONE IP RATING <b>IP20</b>	DURATA ORE LIFETIME HOURS <b>50.000</b>	
MATERIALE MATERIAL <b>ALLUMINIO + SILICONE ALUMINIUM + SILICONE</b>		



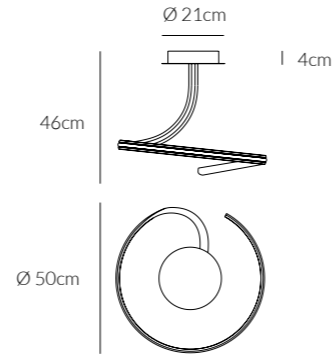
# RIBBON

Sospensione  
Pendant lamp



**0030.20 W**  
CODICE EAN 8058776894523  
BIANCO/ WHITE

KELVIN COLOUR TEMPERATURE <b>3.000 K</b>	ANGOLO BEAM ANGLE <b>120°</b>	VOLTAGGIO VOLTAGE <b>220-240V</b>
LUMEN <b>1.200 LM</b>	CRI <b>80</b>	FREQUENZA OPERATING FREQUENCY <b>50/60 HZ</b>
VATTAGGIO WATTAGE <b>20 W</b>	FATTORE DI POTENZA POWER FACTOR <b>&gt; 0.9</b>	
<b>NON DIMMERABILE</b> <b>NOT DIMMABLE</b>	<b>DRIVER INCLUSO</b> <b>DRIVER INCLUDED</b>	
GRADO DI PROTEZIONE IP RATING <b>IP20</b>	DURATA ORE LIFETIME HOURS <b>50.000</b>	
MATERIALE MATERIAL <b>ALLUMINIO + SILICONE</b> <b>ALUMINIUM + SILICONE</b>		



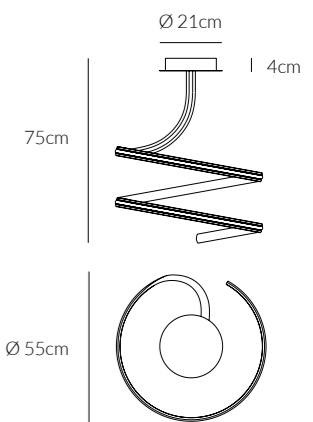
# RIBBON

Sospensione  
Pendant lamp



**0030.21 DIM N**  
CODICE EAN 8058776898835  
BIANCO/ WHITE

KELVIN COLOUR TEMPERATURE <b>4.000 K</b>	ANGOLO BEAM ANGLE <b>120°</b>	VOLTAGGIO VOLTAGE <b>220-240V</b>
LUMEN <b>3.132 LM</b>	CRI <b>80</b>	FREQUENZA OPERATING FREQUENCY <b>50/60 HZ</b>
VATTAGGIO WATTAGE <b>48 W</b>	FATTORE DI POTENZA POWER FACTOR <b>&gt; 0.9</b>	
<b>DIMMERABILE</b> <b>DIMMABLE</b>	<b>DRIVER INCLUSO</b> <b>DRIVER INCLUDED</b>	
GRADO DI PROTEZIONE IP RATING <b>IP20</b>	DURATA ORE LIFETIME HOURS <b>50.000</b>	
MATERIALE MATERIAL <b>ALLUMINIO + SILICONE</b> <b>ALUMINIUM + SILICONE</b>		



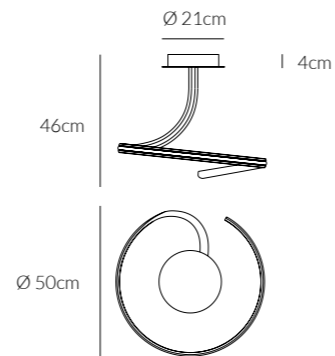
# RIBBON

Sospensione  
Pendant lamp



**0030.20 N**  
CODICE EAN 8058776898828  
BIANCO/ WHITE

KELVIN COLOUR TEMPERATURE <b>4.000 K</b>	ANGOLO BEAM ANGLE <b>120°</b>	VOLTAGGIO VOLTAGE <b>220-240V</b>
LUMEN <b>1.296 LM</b>	CRI <b>80</b>	FREQUENZA OPERATING FREQUENCY <b>50/60 HZ</b>
VATTAGGIO WATTAGE <b>20 W</b>	FATTORE DI POTENZA POWER FACTOR <b>&gt; 0.9</b>	
<b>NON DIMMERABILE</b> <b>NOT DIMMABLE</b>	<b>DRIVER INCLUSO</b> <b>DRIVER INCLUDED</b>	
GRADO DI PROTEZIONE IP RATING <b>IP20</b>	DURATA ORE LIFETIME HOURS <b>50.000</b>	
MATERIALE MATERIAL <b>ALLUMINIO + SILICONE</b> <b>ALUMINIUM + SILICONE</b>		



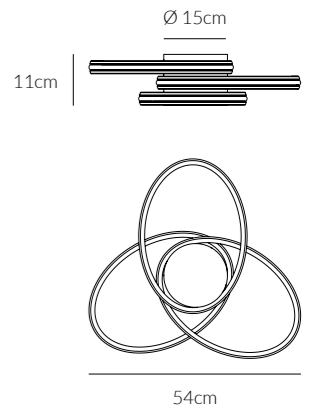
# CLOVER

Plafoniera  
Ceiling lamp



**0031.20 W**  
CODICE EAN 8058776895049  
BIANCO/ WHITE

KELVIN COLOUR TEMPERATURE <b>3.000 K</b>	ANGOLO BEAM ANGLE <b>120°</b>	VOLTAGGIO VOLTAGE <b>220-240V</b>
LUMEN <b>2.000 LM</b>	CRI <b>80</b>	FREQUENZA OPERATING FREQUENCY <b>50/60 HZ</b>
VATTAGGIO WATTAGE <b>33 W</b>	FATTORE DI POTENZA POWER FACTOR <b>&gt; 0.9</b>	
<b>NON DIMMERABILE</b> <b>NOT DIMMABLE</b>	<b>DRIVER INCLUSO</b> <b>DRIVER INCLUDED</b>	
GRADO DI PROTEZIONE IP RATING <b>IP20</b>	DURATA ORE LIFETIME HOURS <b>50.000</b>	
MATERIALE MATERIAL <b>ALLUMINIO + SILICONE</b> <b>ALUMINIUM + SILICONE</b>		



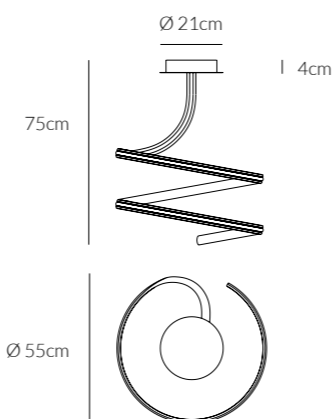
# RIBBON

Sospensione  
Pendant lamp



**0030.21 DIM W**  
CODICE EAN 8058776894547  
BIANCO/ WHITE

KELVIN COLOUR TEMPERATURE <b>3.000 K</b>	ANGOLO BEAM ANGLE <b>120°</b>	VOLTAGGIO VOLTAGE <b>220-240V</b>
LUMEN <b>2.900 LM</b>	CRI <b>80</b>	FREQUENZA OPERATING FREQUENCY <b>50/60 HZ</b>
VATTAGGIO WATTAGE <b>48 W</b>	FATTORE DI POTENZA POWER FACTOR <b>&gt; 0.9</b>	
<b>DIMMERABILE</b> <b>DIMMABLE</b>	<b>DRIVER INCLUSO</b> <b>DRIVER INCLUDED</b>	
GRADO DI PROTEZIONE IP RATING <b>IP20</b>	DURATA ORE LIFETIME HOURS <b>50.000</b>	
MATERIALE MATERIAL <b>ALLUMINIO + SILICONE</b> <b>ALUMINIUM + SILICONE</b>		



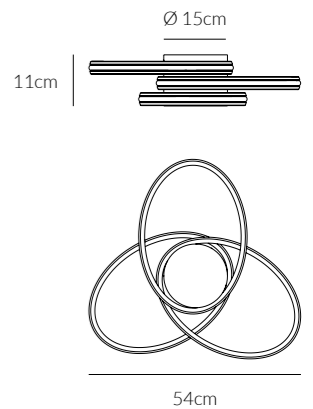
# CLOVER

Plafoniera  
Ceiling lamp



**0031.20 N**  
CODICE EAN 8058776898842  
BIANCO/ WHITE

KELVIN COLOUR TEMPERATURE <b>4.000 K</b>	ANGOLO BEAM ANGLE <b>120°</b>	VOLTAGGIO VOLTAGE <b>220-240V</b>
LUMEN <b>2.160 LM</b>	CRI <b>80</b>	FREQUENZA OPERATING FREQUENCY <b>50/60 HZ</b>
VATTAGGIO WATTAGE <b>33 W</b>	FATTORE DI POTENZA POWER FACTOR <b>&gt; 0.9</b>	
<b>NON DIMMERABILE</b> <b>NOT DIMMABLE</b>	<b>DRIVER INCLUSO</b> <b>DRIVER INCLUDED</b>	
GRADO DI PROTEZIONE IP RATING <b>IP20</b>	DURATA ORE LIFETIME HOURS <b>50.000</b>	
MATERIALE MATERIAL <b>ALLUMINIO + SILICONE</b> <b>ALUMINIUM + SILICONE</b>		





# CLOVER

Plafoniera  
Ceiling lamp



**0031.21 DIM W**  
CODICE EAN **8058776895056**  
**BIANCO/ WHITE**

KELVIN  
COLOUR TEMPERATURE  
**3.000 K**

ANGOLO  
BEAM ANGLE  
**120°**

VOLTAGGIO  
VOLTAGE  
**220-240V**

LUMEN  
**2.900 LM**

CRI  
**80**

FREQUENZA  
OPERATING FREQUENCY  
**50/60 HZ**

VATTAGGIO  
WATTAGE  
**47 W**

FATTORE DI POTENZA  
POWER FACTOR  
**> 0.9**

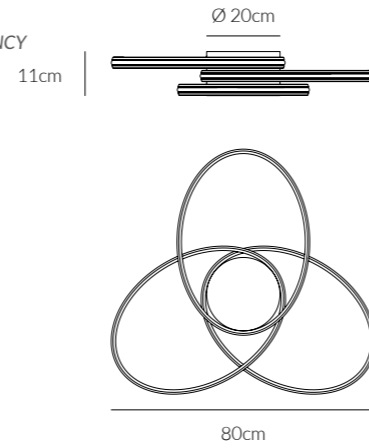
**DIMMERABILE  
DIMMABLE**

**DRIVER INCLUSO  
DRIVER INCLUDED**

GRADO DI PROTEZIONE  
IP RATING  
**IP20**

DURATA ORE  
LIFETIME HOURS  
**50.000**

MATERIALE  
MATERIAL  
**ALLUMINIO + SILICONE  
ALUMINIUM + SILICONE**



# CLOVER

Plafoniera  
Ceiling lamp



**0031.21 DIM N**  
CODICE EAN **8058776898859**  
**BIANCO/ WHITE**

KELVIN  
COLOUR TEMPERATURE  
**4.000 K**

ANGOLO  
BEAM ANGLE  
**120°**

VOLTAGGIO  
VOLTAGE  
**220-240V**

LUMEN  
**3.132 LM**

CRI  
**80**

FREQUENZA  
OPERATING FREQUENCY  
**50/60 HZ**

VATTAGGIO  
WATTAGE  
**47 W**

FATTORE DI POTENZA  
POWER FACTOR  
**> 0.9**

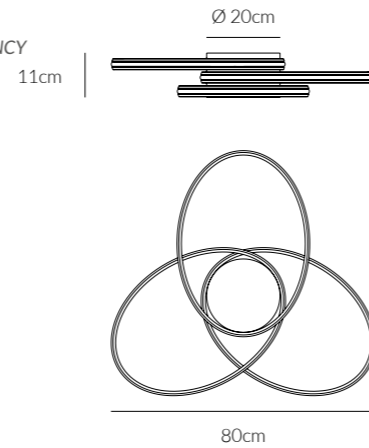
**DIMMERABILE  
DIMMABLE**

**DRIVER INCLUSO  
DRIVER INCLUDED**

GRADO DI PROTEZIONE  
IP RATING  
**IP20**

DURATA ORE  
LIFETIME HOURS  
**50.000**

MATERIALE  
MATERIAL  
**ALLUMINIO + SILICONE  
ALUMINIUM + SILICONE**



# CIRCUIT

Plafoniera  
Ceiling lamp



**0032.20.BI DIM W**  
CODICE EAN **8058776896213**  
**BIANCO/ WHITE**

KELVIN  
COLOUR TEMPERATURE  
**3.000 K**

ANGOLO  
BEAM ANGLE  
**120°**

VOLTAGGIO  
VOLTAGE  
**220-240V**

LUMEN  
**2.500 LM**

CRI  
**80**

FREQUENZA  
OPERATING FREQUENCY  
**50/60 HZ**

VATTAGGIO  
WATTAGE  
**40 W**

FATTORE DI POTENZA  
POWER FACTOR  
**> 0.9**

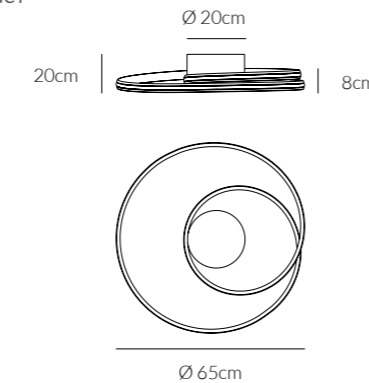
**DIMMERABILE  
DIMMABLE**

**DRIVER INCLUSO  
DRIVER INCLUDED**

GRADO DI PROTEZIONE  
IP RATING  
**IP20**

DURATA ORE  
LIFETIME HOURS  
**50.000**

MATERIALE  
MATERIAL  
**ALLUMINIO + SILICONE  
ALUMINIUM + SILICONE**



# CIRCUIT

Plafoniera  
Ceiling lamp



**0032.20.BI DIM N**  
CODICE EAN **8058776898866**  
**BIANCO/ WHITE**

KELVIN  
COLOUR TEMPERATURE  
**4.000 K**

ANGOLO  
BEAM ANGLE  
**120°**

VOLTAGGIO  
VOLTAGE  
**220-240V**

LUMEN  
**2.700 LM**

CRI  
**80**

FREQUENZA  
OPERATING FREQUENCY  
**50/60 HZ**

VATTAGGIO  
WATTAGE  
**40 W**

FATTORE DI POTENZA  
POWER FACTOR  
**> 0.9**

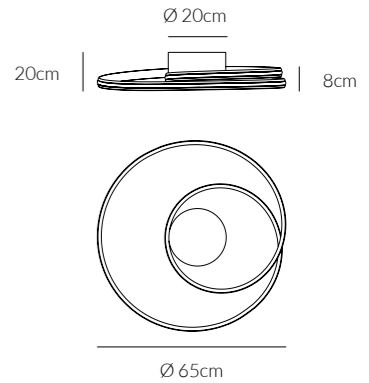
**DIMMERABILE  
DIMMABLE**

**DRIVER INCLUSO  
DRIVER INCLUDED**

GRADO DI PROTEZIONE  
IP RATING  
**IP20**

DURATA ORE  
LIFETIME HOURS  
**50.000**

MATERIALE  
MATERIAL  
**ALLUMINIO + SILICONE  
ALUMINIUM + SILICONE**



# CIRCUIT

Sospensione  
Pendant lamp



**0032.30.BI DIM W**  
CODICE EAN **8058776895063**  
**BIANCO/ WHITE**

KELVIN  
COLOUR TEMPERATURE  
**3.000 K**

ANGOLO  
BEAM ANGLE  
**120°**

VOLTAGGIO  
VOLTAGE  
**220-240V**

LUMEN  
**2.500 LM**

CRI  
**80**

FREQUENZA  
OPERATING FREQUENCY  
**50/60 HZ**

VATTAGGIO  
WATTAGE  
**40 W**

FATTORE DI POTENZA  
POWER FACTOR  
**> 0.9**

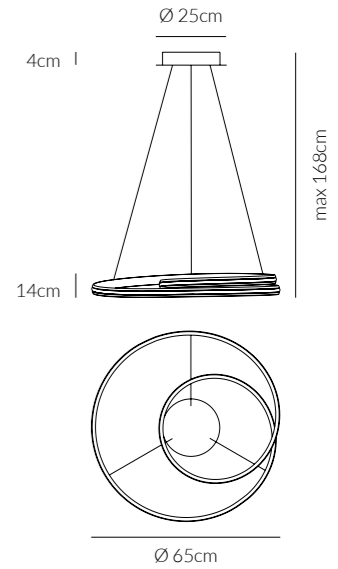
**DIMMERABILE  
DIMMABLE**

**DRIVER INCLUSO  
DRIVER INCLUDED**

GRADO DI PROTEZIONE  
IP RATING  
**IP20**

DURATA ORE  
LIFETIME HOURS  
**50.000**

MATERIALE  
MATERIAL  
**ALLUMINIO + SILICONE  
ALUMINIUM + SILICONE**



# RINGS

Sospensione  
Pendant lamp



**0033.30 DIM W**  
CODICE EAN **8058776895070**  
**BIANCO/ WHITE**

KELVIN  
COLOUR TEMPERATURE  
**3.000 K**

ANGOLO  
BEAM ANGLE  
**120°**

VOLTAGGIO  
VOLTAGE  
**220-240V**

LUMEN  
**2.900 LM**

CRI  
**80**

FREQUENZA  
OPERATING FREQUENCY  
**50/60 HZ**

VATTAGGIO  
WATTAGE  
**47 W**

FATTORE DI POTENZA  
POWER FACTOR  
**> 0.9**

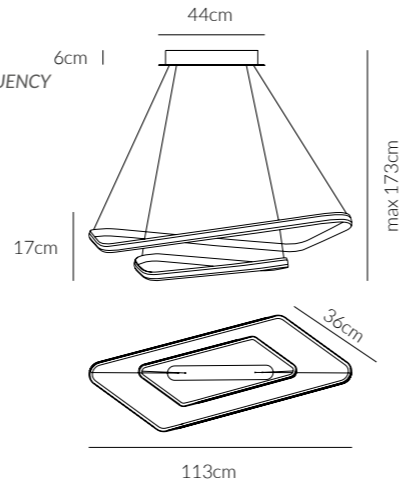
**DIMMERABILE  
DIMMABLE**

**DRIVER INCLUSO  
DRIVER INCLUDED**

GRADO DI PROTEZIONE  
IP RATING  
**IP20**

DURATA ORE  
LIFETIME HOURS  
**50.000**

MATERIALE  
MATERIAL  
**ALLUMINIO + SILICONE  
ALUMINIUM + SILICONE**



# RINGS

Sospensione  
Pendant lamp



**0033.30 DIM N**  
CODICE EAN **8058776898880**  
**BIANCO/ WHITE**

KELVIN  
COLOUR TEMPERATURE  
**4.000 K**

ANGOLO  
BEAM ANGLE  
**120°**

VOLTAGGIO  
VOLTAGE  
**220-240V**

LUMEN  
**3.132 LM**

CRI  
**80**

FREQUENZA  
OPERATING FREQUENCY  
**50/60 HZ**

VATTAGGIO  
WATTAGE  
**47 W**

FATTORE DI POTENZA  
POWER FACTOR  
**> 0.9**

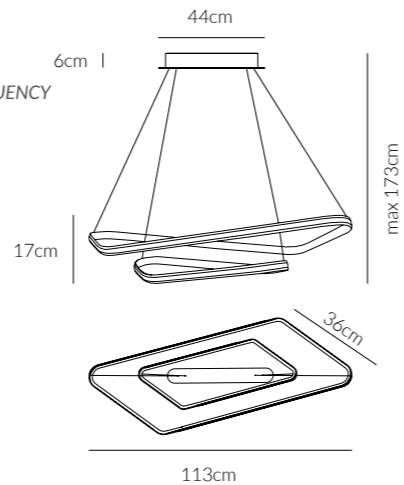
**DIMMERABILE  
DIMMABLE**

**DRIVER INCLUSO  
DRIVER INCLUDED**

GRADO DI PROTEZIONE  
IP RATING  
**IP20**

DURATA ORE  
LIFETIME HOURS  
**50.000**

MATERIALE  
MATERIAL  
**ALLUMINIO + SILICONE  
ALUMINIUM + SILICONE**



# CURLS

Sospensione  
Pendant lamp



**0034.30 DIM W**  
CODICE EAN **8058776895360**  
**BIANCO/ WHITE**

KELVIN  
COLOUR TEMPERATURE  
**3.000 K**

ANGOLO  
BEAM ANGLE  
**120°**

VOLTAGGIO  
VOLTAGE  
**220-240V**

LUMEN  
**3.600 LM**

CRI  
**80**

FREQUENZA  
OPERATING FREQUENCY  
**50/60 HZ**

VATTAGGIO  
WATTAGE  
**60 W**

FATTORE DI POTENZA  
POWER FACTOR  
**> 0.9**

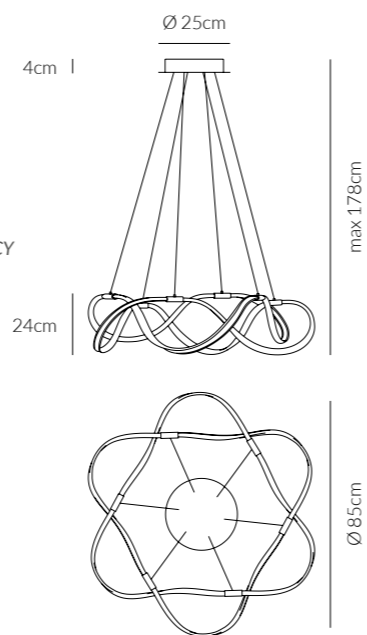
**DIMMERABILE  
DIMMABLE**

**DRIVER INCLUSO  
DRIVER INCLUDED**

GRADO DI PROTEZIONE  
IP RATING  
**IP20**

DURATA ORE  
LIFETIME HOURS  
**50.000**

MATERIALE  
MATERIAL  
**ALLUMINIO + SILICONE  
ALUMINIUM + SILICONE**



# CURLS

Sospensione  
Pendant lamp



**0034.30 DIM N**  
CODICE EAN **8058776898897**  
**BIANCO/ WHITE**

KELVIN  
COLOUR TEMPERATURE  
**4.000 K**

ANGOLO  
BEAM ANGLE  
**120°**

VOLTAGGIO  
VOLTAGE  
**220-240V**

LUMEN  
**3.888 LM**

CRI  
**80**

FREQUENZA  
OPERATING FREQUENCY  
**50/60 HZ**

VATTAGGIO  
WATTAGE  
**60 W**

FATTORE DI POTENZA  
POWER FACTOR  
**> 0.9**

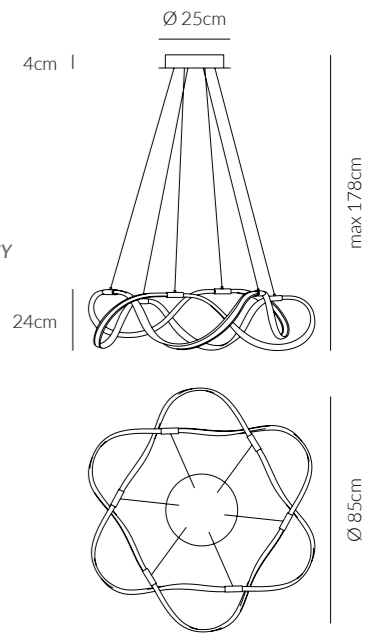
**DIMMERABILE  
DIMMABLE**

**DRIVER INCLUSO  
DRIVER INCLUDED**

GRADO DI PROTEZIONE  
IP RATING  
**IP20**

DURATA ORE  
LIFETIME HOURS  
**50.000**

MATERIALE  
MATERIAL  
**ALLUMINIO + SILICONE  
ALUMINIUM + SILICONE**



# BLOCK

Lampada a parete  
Wall lamp



**0035.11.BI**  
CODICE EAN **8058776895223**  
**BIANCO/ WHITE**

**0035.11.NE**  
CODICE EAN **8059606140001**  
**NERO/BLACK**

KELVIN  
COLOUR TEMPERATURE  
**3.000 K**

ANGOLO  
BEAM ANGLE  
**240°**

VOLTAGGIO  
VOLTAGE  
**100-240V**

LUMEN  
**890 LM**

CRI  
**80**

FREQUENZA  
OPERATING FREQUENCY  
**50/60 HZ**

VATTAGGIO  
WATTAGE  
**16 W**

FATTORE DI POTENZA  
POWER FACTOR  
**> 0.9**

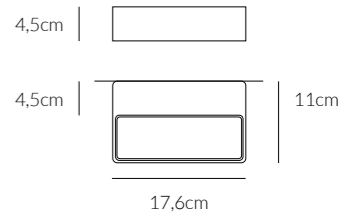
**NON DIMMERABILE  
NOT DIMMABLE**

**DRIVER INCLUSO  
DRIVER INCLUDED**

GRADO DI PROTEZIONE  
IP RATING  
**IP65**

DURATA ORE  
LIFETIME HOURS  
**35.000**

MATERIALE  
MATERIAL  
**ALLUMINIO + VETRO  
ALUMINIUM + GLASS**



# SPIRAL

Sospensione  
Pendant lamp



**0036.30 DIM W**  
CODICE EAN **8058776894561**  
**BIANCO/ WHITE**

KELVIN  
COLOUR TEMPERATURE  
**3.000 K**

ANGOLO  
BEAM ANGLE  
**120°**

VOLTAGGIO  
VOLTAGE  
**220-240V**

LUMEN  
**2.500 LM**

CRI  
**80**

FREQUENZA  
OPERATING FREQUENCY  
**50/60 HZ**

VATTAGGIO  
WATTAGE  
**40 W**

FATTORE DI POTENZA  
POWER FACTOR  
**> 0.9**

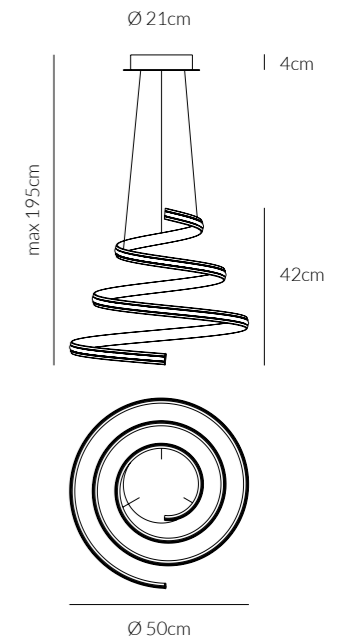
**DIMMERABILE  
DIMMABLE**

**DRIVER INCLUSO  
DRIVER INCLUDED**

GRADO DI PROTEZIONE  
IP RATING  
**IP20**

DURATA ORE  
LIFETIME HOURS  
**50.000**

MATERIALE  
MATERIAL  
**ALLUMINIO + SILICONE  
ALUMINIUM + SILICONE**





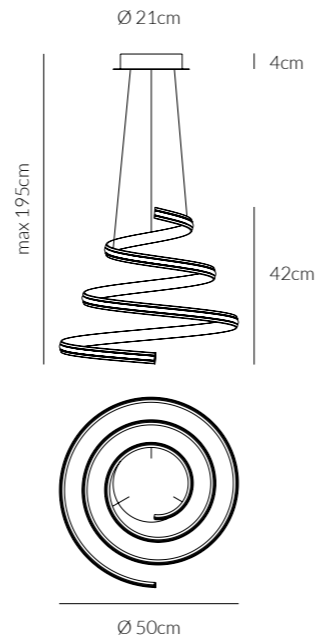
# SPIRAL

Sospensione  
Pendant lamp



**0036.30 DIM N**  
CODICE EAN **8058776898903**  
**BIANCO/ WHITE**

KELVIN COLOUR TEMPERATURE <b>4.000 K</b>	ANGOLO BEAM ANGLE <b>120°</b>	VOLTAGGIO VOLTAGE <b>220-240V</b>
LUMEN <b>2.700 LM</b>	CRI <b>80</b>	FREQUENZA OPERATING FREQUENCY <b>50/60 HZ</b>
VATTAGGIO WATTAGE <b>40 W</b>	FATTORE DI POTENZA POWER FACTOR <b>&gt; 0.9</b>	
<b>DIMMERABILE DIMMABLE</b>	<b>DRIVER INCLUSO DRIVER INCLUDED</b>	
GRADO DI PROTEZIONE IP RATING <b>IP20</b>	DURATA ORE LIFETIME HOURS <b>50.000</b>	
MATERIALE MATERIAL <b>ALLUMINIO + SILICONE ALUMINIUM + SILICONE</b>		



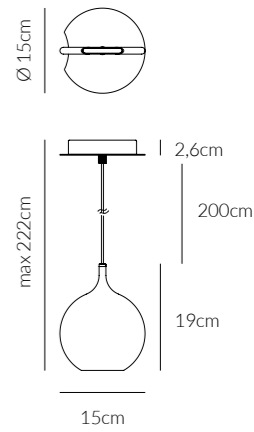
# SMASH

Sospensione  
Pendant lamp



**0038.30**  
CODICE EAN **8058776895537**  
**BIANCO/ WHITE**

KELVIN COLOUR TEMPERATURE <b>3.000 K</b>	ANGOLO BEAM ANGLE <b>92,5°</b>	VOLTAGGIO VOLTAGE <b>100-240V</b>
LUMEN <b>720 LM</b>	CRI <b>90</b>	FREQUENZA OPERATING FREQUENCY <b>50/60 HZ</b>
VATTAGGIO WATTAGE <b>7,2 W</b>	FATTORE DI POTENZA POWER FACTOR <b>&gt; 0.5</b>	
<b>NON DIMMERABILE NOT DIMMABLE</b>	<b>DRIVER INCLUSO DRIVER INCLUDED</b>	
GRADO DI PROTEZIONE IP RATING <b>IP20</b>	DURATA ORE LIFETIME HOURS <b>50.000</b>	
MATERIALE MATERIAL <b>ALLUMINIO + ACRILICO ALUMINIUM + ACRYLIC</b>		



# BRACKET

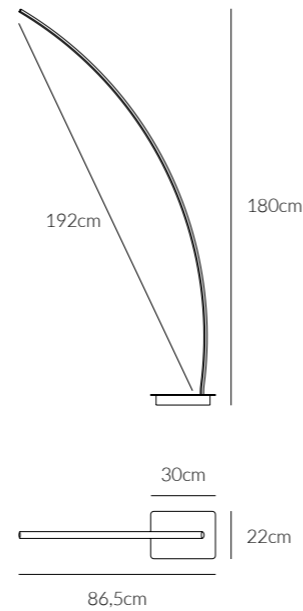
Lampada da terra  
Floor lamp



**0037.50.BI W**  
CODICE EAN **8058776895506**  
**BIANCO/ WHITE**

**0037.50.NE W**  
CODICE EAN **8059606142227**  
**NERO/BLACK**

KELVIN COLOUR TEMPERATURE <b>3.000 K</b>	ANGOLO BEAM ANGLE <b>120°</b>	VOLTAGGIO VOLTAGE <b>220-240V</b>
LUMEN <b>1.980 LM</b>	CRI <b>80</b>	FREQUENZA OPERATING FREQUENCY <b>50/60 HZ</b>
VATTAGGIO WATTAGE <b>33 W</b>	FATTORE DI POTENZA POWER FACTOR <b>&gt; 0.9</b>	
<b>NON DIMMERABILE NOT DIMMABLE</b>	<b>DRIVER INCLUSO DRIVER INCLUDED</b>	
GRADO DI PROTEZIONE IP RATING <b>IP20</b>	DURATA ORE LIFETIME HOURS <b>50.000</b>	
MATERIALE MATERIAL <b>ALLUMINIO + SILICONE ALUMINIUM + SILICONE</b>		



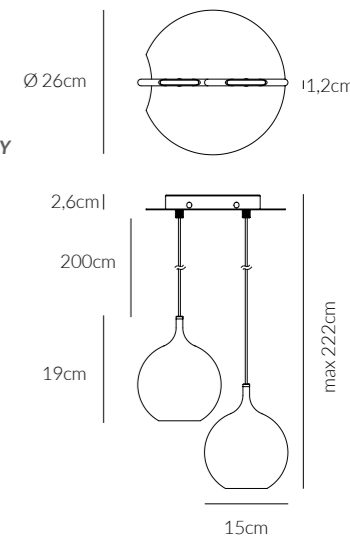
# SMASH

Sospensione  
Pendant lamp



**0038.31**  
CODICE EAN **8058776896183**  
**BIANCO/ WHITE**

KELVIN COLOUR TEMPERATURE <b>3.000 K</b>	ANGOLO BEAM ANGLE <b>92,5°</b>	VOLTAGGIO VOLTAGE <b>220-240V</b>
LUMEN <b>1.440 LM</b>	CRI <b>90</b>	FREQUENZA OPERATING FREQUENCY <b>50/60 HZ</b>
VATTAGGIO WATTAGE <b>14,4 W</b>	FATTORE DI POTENZA POWER FACTOR <b>&gt; 0.9</b>	
<b>NON DIMMERABILE NOT DIMMABLE</b>	<b>DRIVER INCLUSO DRIVER INCLUDED</b>	
GRADO DI PROTEZIONE IP RATING <b>IP20</b>	DURATA ORE LIFETIME HOURS <b>50.000</b>	
MATERIALE MATERIAL <b>ALLUMINIO + ACRILICO ALUMINIUM + ACRYLIC</b>		



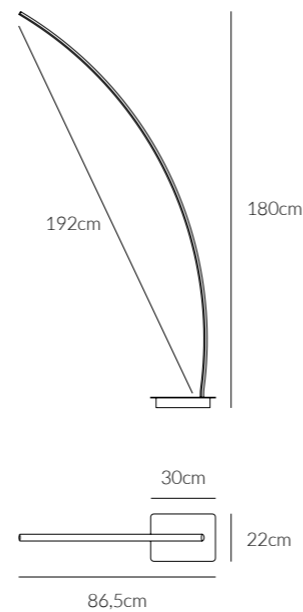
# BRACKET

Lampada da terra  
Floor lamp



**0037.50.BI N**  
CODICE EAN **8058776898910**  
**BIANCO/ WHITE**

KELVIN COLOUR TEMPERATURE <b>4.000 K</b>	ANGOLO BEAM ANGLE <b>120°</b>	VOLTAGGIO VOLTAGE <b>220-240V</b>
LUMEN <b>2.138 LM</b>	CRI <b>80</b>	FREQUENZA OPERATING FREQUENCY <b>50/60 HZ</b>
VATTAGGIO WATTAGE <b>33 W</b>	FATTORE DI POTENZA POWER FACTOR <b>&gt; 0.9</b>	
<b>NON DIMMERABILE NOT DIMMABLE</b>	<b>DRIVER INCLUSO DRIVER INCLUDED</b>	
GRADO DI PROTEZIONE IP RATING <b>IP20</b>	DURATA ORE LIFETIME HOURS <b>50.000</b>	
MATERIALE MATERIAL <b>ALLUMINIO + SILICONE ALUMINIUM + SILICONE</b>		



# AXELLA

Lampada a parete  
Wall lamp

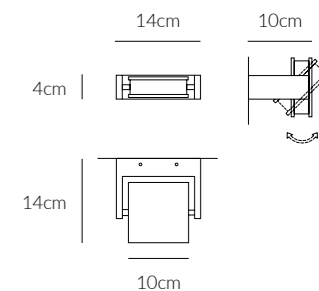


**0039.10.BI W**  
CODICE EAN **8058776896190**  
**BIANCO/ WHITE**

**0039.10.NE W**  
CODICE EAN **8059606142296**  
**NERO/BLACK**

**0039.10.SA W**  
CODICE EAN **8059606142302**  
**SABBIA/SAND**

KELVIN COLOUR TEMPERATURE <b>3.000 K</b>	ANGOLO BEAM ANGLE <b>330°</b>	VOLTAGGIO VOLTAGE <b>220-240V</b>
LUMEN <b>650 LM</b>	CRI <b>80</b>	FREQUENZA OPERATING FREQUENCY <b>50/60 HZ</b>
VATTAGGIO WATTAGE <b>10 W</b>	FATTORE DI POTENZA POWER FACTOR <b>&gt; 0.5</b>	
<b>NON DIMMERABILE NOT DIMMABLE</b>	<b>DRIVER INCLUSO DRIVER INCLUDED</b>	
GRADO DI PROTEZIONE IP RATING <b>IP20</b>	DURATA ORE LIFETIME HOURS <b>35.000</b>	
MATERIALE MATERIAL <b>ALLUMINIO + ACRILICO ALUMINIUM + ACRYLIC</b>		



# AXELLA

Lampada a parete  
Wall lamp



**0039.10.BI N**  
CODICE EAN **8058776898927**  
**BIANCO/ WHITE**

KELVIN  
COLOUR TEMPERATURE  
**4.000 K**

LUMEN  
**702 LM**

VATTAGGIO  
WATTAGE  
**10 W**

**NON DIMMERABILE**  
**NOT DIMMABLE**

GRADO DI PROTEZIONE  
IP RATING  
**IP20**

MATERIALE  
MATERIAL  
**ALLUMINIO + ACRILICO**  
**ALUMINIUM + ACRYLIC**

ANGOLO  
BEAM ANGLE  
**330°**

CRI  
**80**

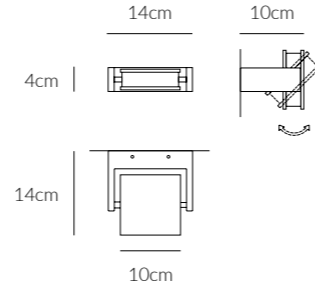
FATTORE DI POTENZA  
POWER FACTOR  
**> 0.5**

**DRIVER INCLUSO**  
**DRIVER INCLUDED**

DURATA ORE  
LIFETIME HOURS  
**35.000**

VOLTAGGIO  
VOLTAGE  
**220-240V**

FREQUENZA  
OPERATING FREQUENCY  
**50/60 HZ**



# LIL WAVE

Sospensione *Pendant lamp*



**0040.30**  
CODICE EAN **8058776899085**  
**BIANCO/ WHITE**

KELVIN  
COLOUR TEMPERATURE  
**3.000 K**

LUMEN  
**1.680 LM**

VATTAGGIO  
WATTAGE  
**30 W**

**NON DIMMERABILE**  
**NOT DIMMABLE**

GRADO DI PROTEZIONE  
IP RATING  
**IP20**

MATERIALE  
MATERIAL  
**ALLUMINIO + ACRILICO**  
**ALUMINIUM + ACRYLIC**

ANGOLO  
BEAM ANGLE  
**330°**

CRI  
**80**

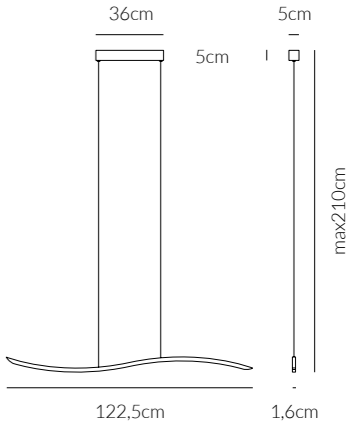
FATTORE DI POTENZA  
POWER FACTOR  
**> 0.9**

**DRIVER INCLUSO**  
**DRIVER INCLUDED**

DURATA ORE  
LIFETIME HOURS  
**50.000**

VOLTAGGIO  
VOLTAGE  
**220-240V**

FREQUENZA  
OPERATING FREQUENCY  
**50/60 HZ**



# AXELLA

Lampada a parete  
Wall lamp



**0039.11.BI W**  
CODICE EAN **8058776896206**  
**BIANCO/ WHITE**

**0039.11.NE W**  
CODICE EAN **8059606142319**  
**NERO/BLACK**

**0039.11.SA W**  
CODICE EAN **8059606142326**  
**SABBIA/SAND**

KELVIN  
COLOUR TEMPERATURE  
**3.000 K**

LUMEN  
**1.170 LM**

VATTAGGIO  
WATTAGE  
**18 W**

**NON DIMMERABILE**  
**NOT DIMMABLE**

GRADO DI PROTEZIONE  
IP RATING  
**IP20**

MATERIALE  
MATERIAL  
**ALLUMINIO + ACRILICO**  
**ALUMINIUM + ACRYLIC**

ANGOLO  
BEAM ANGLE  
**330°**

CRI  
**80**

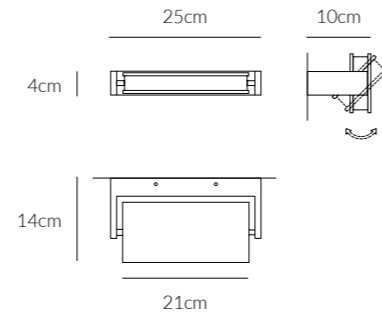
FATTORE DI POTENZA  
POWER FACTOR  
**> 0.9**

**DRIVER INCLUSO**  
**DRIVER INCLUDED**

DURATA ORE  
LIFETIME HOURS  
**35.000**

VOLTAGGIO  
VOLTAGE  
**220-240V**

FREQUENZA  
OPERATING FREQUENCY  
**50/60 HZ**



# LIL WAVE

Sospensione *Pendant lamp*



**0040.32 DIM**  
CODICE EAN **8058776899108**  
**BIANCO/ WHITE**

**0040.33 DIM**  
CODICE EAN **8058776899115**  
**NERO/BLACK**

KELVIN  
COLOUR TEMPERATURE  
**3.000 K**

LUMEN  
**4.860 LM**

VATTAGGIO  
WATTAGE  
**80 W**

**DIMMERABILE**  
**DIMMABLE**

GRADO DI PROTEZIONE  
IP RATING  
**IP20**

MATERIALE  
MATERIAL  
**ALLUMINIO + ACRILICO**  
**ALUMINIUM + ACRYLIC**

ANGOLO  
BEAM ANGLE  
**330°**

CRI  
**80**

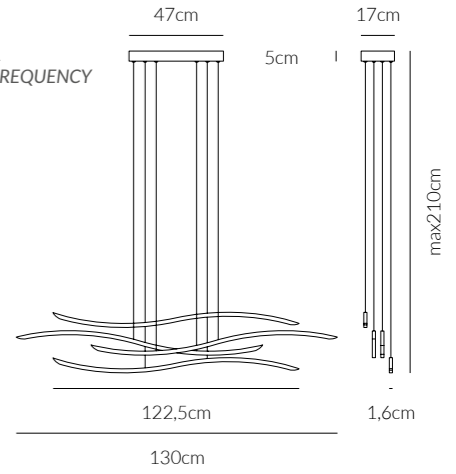
FATTORE DI POTENZA  
POWER FACTOR  
**> 0.9**

**DRIVER INCLUSO**  
**DRIVER INCLUDED**

DURATA ORE  
LIFETIME HOURS  
**50.000**

VOLTAGGIO  
VOLTAGE  
**220-240V**

FREQUENZA  
OPERATING FREQUENCY  
**50/60 HZ**



# AXELLA

Lampada a parete  
Wall lamp



**0039.11.BI N**  
CODICE EAN **8058776898934**  
**BIANCO/ WHITE**

KELVIN  
COLOUR TEMPERATURE  
**4.000 K**

LUMEN  
**1.263 LM**

VATTAGGIO  
WATTAGE  
**18 W**

**NON DIMMERABILE**  
**NOT DIMMABLE**

GRADO DI PROTEZIONE  
IP RATING  
**IP20**

MATERIALE  
MATERIAL  
**ALLUMINIO + ACRILICO**  
**ALUMINIUM + ACRYLIC**

ANGOLO  
BEAM ANGLE  
**330°**

CRI  
**80**

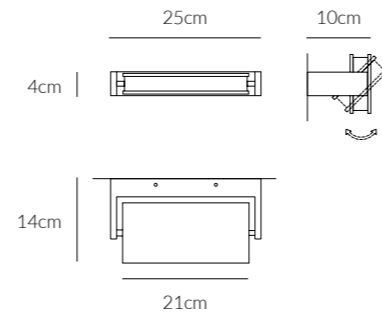
FATTORE DI POTENZA  
POWER FACTOR  
**> 0.9**

**DRIVER INCLUSO**  
**DRIVER INCLUDED**

DURATA ORE  
LIFETIME HOURS  
**35.000**

VOLTAGGIO  
VOLTAGE  
**220-240V**

FREQUENZA  
OPERATING FREQUENCY  
**50/60 HZ**





# BOW

Plafoniera  
Ceiling lamp

Lampada a parete  
Wall lamp



**0041.20.BI**  
CODICE EAN 8058776899146  
BIANCO/ WHITE

**0041.20.NE**  
CODICE EAN 8059606142708  
NERO/BLACK

KELVIN  
COLOUR TEMPERATURE  
**3.000 K**

ANGOLO  
BEAM ANGLE  
**120°**

VOLTAGGIO  
VOLTAGE  
**220-240V**

LUMEN  
**2.520 LM**

CRI  
**≥ 80**

FREQUENZA  
OPERATING FREQUENCY  
**50/60 HZ**

VATTAGGIO  
WATTAGE  
**36 W**

FATTORE DI POTENZA  
POWER FACTOR  
**> 0.9**

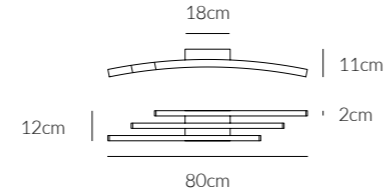
**NON DIMMERABILE**  
**NOT DIMMABLE**

**DRIVER INCLUSO**  
**DRIVER INCLUDED**

GRADO DI PROTEZIONE  
IP RATING  
**IP20**

DURATA ORE  
LIFETIME HOURS  
**30.000**

MATERIALE  
MATERIAL  
**ALLUMINIO + POLICARBONATO**  
**ALUMINIUM + POLYCARBONATE**



# BOW

Plafoniera  
Ceiling lamp

Lampada a parete  
Wall lamp



**0041.21.BI**  
CODICE EAN 8058776899139  
BIANCO/ WHITE

**0041.21.NE**  
CODICE EAN 8059606142685  
NERO/BLACK

KELVIN  
COLOUR TEMPERATURE  
**3.000 K**

ANGOLO  
BEAM ANGLE  
**120°**

VOLTAGGIO  
VOLTAGE  
**220-240V**

LUMEN  
**3.360 LM**

CRI  
**≥ 80**

FREQUENZA  
OPERATING FREQUENCY  
**50/60 HZ**

VATTAGGIO  
WATTAGE  
**48 W**

FATTORE DI POTENZA  
POWER FACTOR  
**> 0.9**

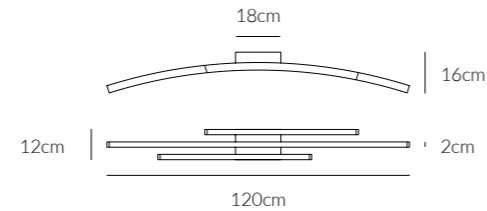
**NON DIMMERABILE**  
**NOT DIMMABLE**

**DRIVER INCLUSO**  
**DRIVER INCLUDED**

GRADO DI PROTEZIONE  
IP RATING  
**IP20**

DURATA ORE  
LIFETIME HOURS  
**30.000**

MATERIALE  
MATERIAL  
**ALLUMINIO + POLICARBONATO**  
**ALUMINIUM + POLYCARBONATE**



# BOW

Plafoniera  
Ceiling lamp

Lampada a parete  
Wall lamp



**0041.22.BI**  
CODICE EAN 8058776899160  
BIANCO/ WHITE

**0041.22.NE**  
CODICE EAN 8059606142715  
NERO/BLACK

KELVIN  
COLOUR TEMPERATURE  
**3.000 K**

ANGOLO  
BEAM ANGLE  
**120°**

VOLTAGGIO  
VOLTAGE  
**220-240V**

LUMEN  
**2.100 LM**

CRI  
**≥ 80**

FREQUENZA  
OPERATING FREQUENCY  
**50/60 HZ**

VATTAGGIO  
WATTAGE  
**30 W**

FATTORE DI POTENZA  
POWER FACTOR  
**> 0.9**

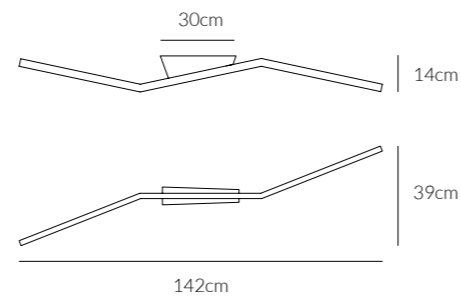
**NON DIMMERABILE**  
**NOT DIMMABLE**

**DRIVER INCLUSO**  
**DRIVER INCLUDED**

GRADO DI PROTEZIONE  
IP RATING  
**IP20**

DURATA ORE  
LIFETIME HOURS  
**30.000**

MATERIALE  
MATERIAL  
**ALLUMINIO + POLICARBONATO**  
**ALUMINIUM + POLYCARBONATE**



# BOW

Sospensione  
Pendant lamp



**0041.30.BI**  
CODICE EAN 8058776899122  
BIANCO/ WHITE

**0041.30.NE**  
CODICE EAN 8059606142678  
NERO/BLACK

KELVIN  
COLOUR TEMPERATURE  
**3.000 K**

ANGOLO  
BEAM ANGLE  
**120°**

VOLTAGGIO  
VOLTAGE  
**220-240V**

LUMEN  
**2.030 LM**

CRI  
**≥ 80**

FREQUENZA  
OPERATING FREQUENCY  
**50/60 HZ**

VATTAGGIO  
WATTAGE  
**30 W**

FATTORE DI POTENZA  
POWER FACTOR  
**> 0.9**

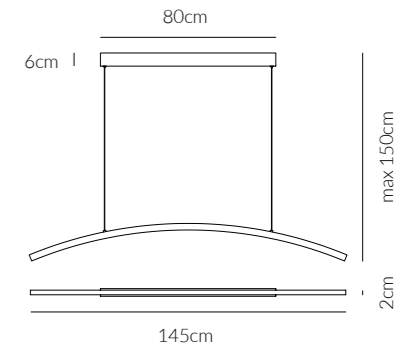
**NON DIMMERABILE**  
**NOT DIMMABLE**

**DRIVER INCLUSO**  
**DRIVER INCLUDED**

GRADO DI PROTEZIONE  
IP RATING  
**IP20**

DURATA ORE  
LIFETIME HOURS  
**30.000**

MATERIALE  
MATERIAL  
**ALLUMINIO + POLICARBONATO**  
**ALUMINIUM + POLYCARBONATE**



# BOW

Lampada da terra  
Floor lamp



**0041.50.BI**  
CODICE EAN 8058776899153  
BIANCO/ WHITE

**0041.50.NE**  
CODICE EAN 8059606142692  
NERO/BLACK

KELVIN  
COLOUR TEMPERATURE  
**3.000 K**

ANGOLO  
BEAM ANGLE  
**120°**

VOLTAGGIO  
VOLTAGE  
**220-240V**

LUMEN  
**2.030 LM**

CRI  
**≥ 80**

FREQUENZA  
OPERATING FREQUENCY  
**50/60 HZ**

VATTAGGIO  
WATTAGE  
**26 W**

FATTORE DI POTENZA  
POWER FACTOR  
**> 0.9**

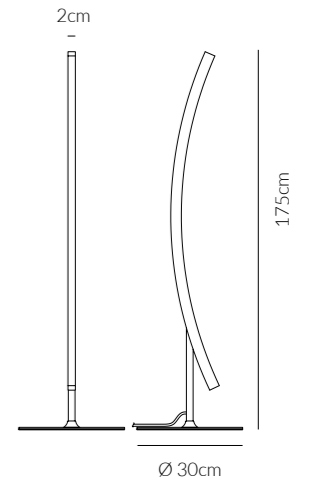
**NON DIMMERABILE**  
**NOT DIMMABLE**

**DRIVER INCLUSO**  
**DRIVER INCLUDED**

GRADO DI PROTEZIONE  
IP RATING  
**IP20**

DURATA ORE  
LIFETIME HOURS  
**30.000**

MATERIALE  
MATERIAL  
**ALLUMINIO + POLICARBONATO**  
**ALUMINIUM + POLYCARBONATE**



# INNER R

Plafoniera  
Ceiling lamp  
Lampada a parete  
Wall lamp



**0043.20.BI**  
CODICE EAN 8058776899177  
BIANCO/WHITE

KELVIN  
COLOUR TEMPERATURE  
**3.000 K**

LUMEN  
**2.400 LM**

VATTAGGIO  
WATTAGE  
**40 W**

**NON DIMMERABILE  
NOT DIMMABLE**

GRADO DI PROTEZIONE  
IP RATING  
**IP20**

MATERIALE  
MATERIAL  
**ALLUMINIO + ACRILICO  
ALUMINIUM + ACRYLIC**

ANGOLO  
BEAM ANGLE  
**120°**

CRI  
**≥ 80**

FATTORE DI POTENZA  
POWER FACTOR  
**> 0.9**

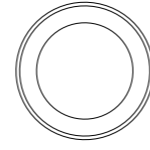
**DRIVER INCLUSO  
DRIVER INCLUDED**

DURATA ORE  
LIFETIME HOURS  
**30.000**

**0043.20.NE**  
CODICE EAN 8059606141503  
NERO/BLACK

VOLTAGGIO  
VOLTAGE  
**220-240V**

FREQUENZA  
OPERATING FREQUENCY  
**50/60 HZ**



Ø 48cm

**0043.20.SA**  
CODICE EAN 8059606141848  
SABBIA/SAND

# INNER R

Sospensione  
Pendant lamp



**0043.30.BI**  
CODICE EAN 8058776899238  
BIANCO/WHITE

KELVIN  
COLOUR TEMPERATURE  
**3.000 K**

LUMEN  
**3.000 LM**

VATTAGGIO  
WATTAGE  
**50 W**

**NON DIMMERABILE  
NOT DIMMABLE**

GRADO DI PROTEZIONE  
IP RATING  
**IP20**

MATERIALE  
MATERIAL  
**ALLUMINIO + ACRILICO  
ALUMINIUM + ACRYLIC**

ANGOLO  
BEAM ANGLE  
**120°**

CRI  
**≥ 80**

FATTORE DI POTENZA  
POWER FACTOR  
**> 0.9**

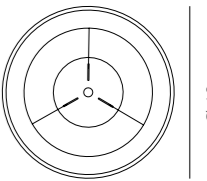
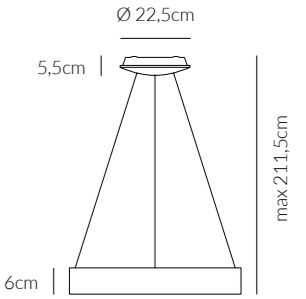
**DRIVER INCLUSO  
DRIVER INCLUDED**

DURATA ORE  
LIFETIME HOURS  
**30.000**

**0043.30.NE**  
CODICE EAN 8059606141534  
NERO/BLACK

VOLTAGGIO  
VOLTAGE  
**220-240V**

FREQUENZA  
OPERATING FREQUENCY  
**50/60 HZ**



Ø 60cm

**0043.30.SA**  
CODICE EAN 8059606141909  
SABBIA/SAND

# INNER R

Plafoniera  
Ceiling lamp  
Lampada a parete  
Wall lamp



**0043.21.BI**  
CODICE EAN 8058776899184  
BIANCO/WHITE

KELVIN  
COLOUR TEMPERATURE  
**3.000 K**

LUMEN  
**3.000 LM**

VATTAGGIO  
WATTAGE  
**50 W**

**NON DIMMERABILE  
NOT DIMMABLE**

GRADO DI PROTEZIONE  
IP RATING  
**IP20**

MATERIALE  
MATERIAL  
**ALLUMINIO + ACRILICO  
ALUMINIUM + ACRYLIC**

ANGOLO  
BEAM ANGLE  
**120°**

CRI  
**≥ 80**

FATTORE DI POTENZA  
POWER FACTOR  
**> 0.9**

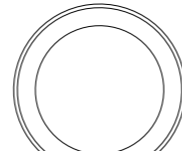
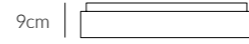
**DRIVER INCLUSO  
DRIVER INCLUDED**

DURATA ORE  
LIFETIME HOURS  
**30.000**

**0043.21.NE**  
CODICE EAN 8059606141510  
NERO/BLACK

VOLTAGGIO  
VOLTAGE  
**220-240V**

FREQUENZA  
OPERATING FREQUENCY  
**50/60 HZ**



Ø 60cm

**0043.21.SA**  
CODICE EAN 8059606141855  
SABBIA/SAND

# INNER R

Sospensione  
Pendant lamp



**0043.31.BI**  
CODICE EAN 8058776899245  
BIANCO/WHITE

KELVIN  
COLOUR TEMPERATURE  
**3.000 K**

LUMEN  
**4.800 LM**

VATTAGGIO  
WATTAGE  
**80 W**

**NON DIMMERABILE  
NOT DIMMABLE**

GRADO DI PROTEZIONE  
IP RATING  
**IP20**

MATERIALE  
MATERIAL  
**ALLUMINIO + ACRILICO  
ALUMINIUM + ACRYLIC**

ANGOLO  
BEAM ANGLE  
**120°**

CRI  
**≥ 80**

FATTORE DI POTENZA  
POWER FACTOR  
**> 0.9**

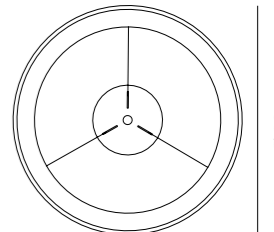
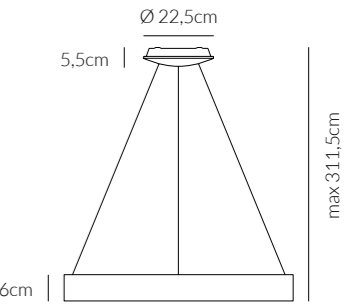
**DRIVER INCLUSO  
DRIVER INCLUDED**

DURATA ORE  
LIFETIME HOURS  
**30.000**

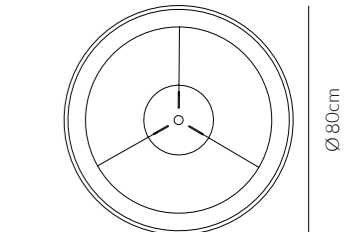
**0043.31.NE**  
CODICE EAN 8059606141541  
NERO/BLACK

VOLTAGGIO  
VOLTAGE  
**220-240V**

FREQUENZA  
OPERATING FREQUENCY  
**50/60 HZ**



Ø 80cm



**0043.31.SA**  
CODICE EAN 8059606141916  
SABBIA/SAND

# INNER R

Plafoniera  
Ceiling lamp  
Lampada a parete  
Wall lamp



**0043.22.BI**  
CODICE EAN 8058776899191  
BIANCO/WHITE

KELVIN  
COLOUR TEMPERATURE  
**3.000 K**

LUMEN  
**4.800 LM**

VATTAGGIO  
WATTAGE  
**80 W**

**NON DIMMERABILE  
NOT DIMMABLE**

GRADO DI PROTEZIONE  
IP RATING  
**IP20**

MATERIALE  
MATERIAL  
**ALLUMINIO + ACRILICO  
ALUMINIUM + ACRYLIC**

ANGOLO  
BEAM ANGLE  
**120°**

CRI  
**≥ 80**

FATTORE DI POTENZA  
POWER FACTOR  
**> 0.9**

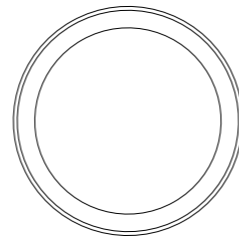
**DRIVER INCLUSO  
DRIVER INCLUDED**

DURATA ORE  
LIFETIME HOURS  
**30.000**

**0043.22.NE**  
CODICE EAN 8059606141527  
NERO/BLACK

VOLTAGGIO  
VOLTAGE  
**220-240V**

FREQUENZA  
OPERATING FREQUENCY  
**50/60 HZ**



Ø 80cm

**0043.22.SA**  
CODICE EAN 8059606141862  
SABBIA/SAND

# INNER S

Plafoniera  
Ceiling lamp  
Lampada a parete  
Wall lamp



**0044.20.BI**  
CODICE EAN 8058776899207  
BIANCO/WHITE

KELVIN  
COLOUR TEMPERATURE  
**3.000 K**

LUMEN  
**1.920 LM**

VATTAGGIO  
WATTAGE  
**32 W**

**NON DIMMERABILE  
NOT DIMMABLE**

GRADO DI PROTEZIONE  
IP RATING  
**IP20**

MATERIALE  
MATERIAL  
**ALLUMINIO + ACRILICO  
ALUMINIUM + ACRYLIC**

ANGOLO  
BEAM ANGLE  
**120°**

CRI  
**≥ 80**

FATTORE DI POTENZA  
POWER FACTOR  
**> 0.9**

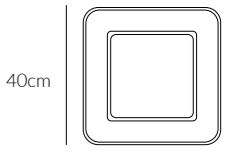
**DRIVER INCLUSO  
DRIVER INCLUDED**

DURATA ORE  
LIFETIME HOURS  
**30.000**

**0044.20.NE**  
CODICE EAN 8059606141558  
NERO/BLACK

VOLTAGGIO  
VOLTAGE  
**220-240V**

FREQUENZA  
OPERATING FREQUENCY  
**50/60 HZ**



40cm

**0044.20.SA**  
CODICE EAN 8059606141879  
SABBIA/SAND



# INNER S

Plafoniera  
Ceiling lamp

Lampada a parete  
Wall lamp



**0044.21.BI**  
CODICE EAN 8058776899214  
BIANCO/ WHITE

**0044.21.NE**  
CODICE EAN 8059606141565  
NERO/BLACK

**0044.21.SA**  
CODICE EAN 8059606141886  
SABBIA/SAND

KELVIN  
COLOUR TEMPERATURE  
**3.000 K**

LUMEN  
**3.000 LM**

VATTAGGIO  
WATTAGE  
**50 W**

**NON DIMMERA-  
BILE**  
**NOT DIMMABLE**

GRADO DI PROTE-  
ZIONE  
IP RATING  
**IP20**

MATERIALE  
MATERIAL  
**ALLUMINIO + ACRILICO**  
**ALUMINIUM + ACRYLIC**

ANGOLO  
BEAM ANGLE  
**120°**

CRI  
**≥ 80**

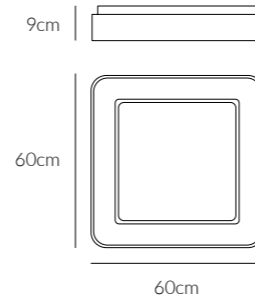
FATTORE DI POTENZA  
POWER FACTOR  
**> 0.9**

**DRIVER INCLUSO**  
**DRIVER INCLUDED**

DURATA ORE  
LIFETIME HOURS  
**30.000**

VOLTAGGIO  
VOLTAGE  
**220-240V**

FREQUENZA  
OPERATING FREQUENCY  
**50/60 HZ**



# INNER S

Plafoniera  
Ceiling lamp

Lampada a parete  
Wall lamp



**0044.22.BI**  
CODICE EAN 8058776899221  
BIANCO/ WHITE

**0044.22.NE**  
CODICE EAN 8059606141572  
NERO/BLACK

**0044.22.SA**  
CODICE EAN 8059606141893  
SABBIA/SAND

KELVIN  
COLOUR TEMPERATURE  
**3.000 K**

LUMEN  
**4.800 LM**

VATTAGGIO  
WATTAGE  
**80 W**

**NON DIMMERABILE**  
**NOT DIMMABLE**

GRADO DI PROTEZIONE  
IP RATING  
**IP20**

MATERIALE  
MATERIAL  
**ALLUMINIO + ACRILICO**  
**ALUMINIUM + ACRYLIC**

ANGOLO  
BEAM ANGLE  
**120°**

CRI  
**≥ 80**

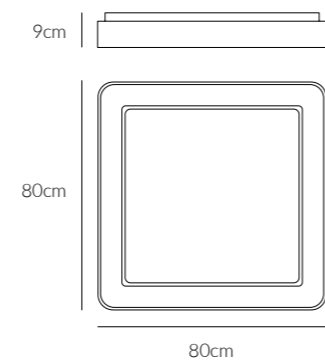
FATTORE DI POTENZA  
POWER FACTOR  
**> 0.9**

**DRIVER INCLUSO**  
**DRIVER INCLUDED**

DURATA ORE  
LIFETIME HOURS  
**30.000**

VOLTAGGIO  
VOLTAGE  
**220-240V**

FREQUENZA  
OPERATING FREQUENCY  
**50/60 HZ**



# INNER S

Sospensione  
Pendant lamp



KELVIN  
COLOUR TEMPERATURE  
**3.000 K**

LUMEN  
**3.000 LM**

VATTAGGIO  
WATTAGE  
**50 W**

**NON DIMMERABILE**  
**NOT DIMMABLE**

GRADO DI PROTEZIONE  
IP RATING  
**IP20**

MATERIALE  
MATERIAL  
**ALLUMINIO + ACRILICO**  
**ALUMINIUM + ACRYLIC**

ANGOLO  
BEAM ANGLE  
**120°**

CRI  
**≥ 80**

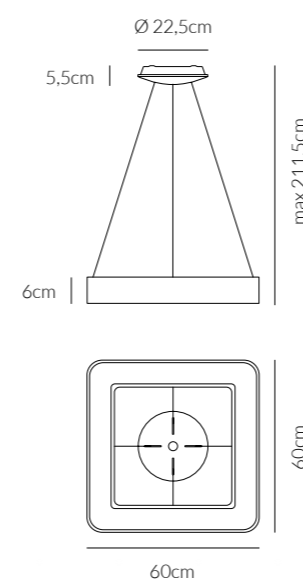
FATTORE DI POTENZA  
POWER FACTOR  
**> 0.9**

**DRIVER INCLUSO**  
**DRIVER INCLUDED**

DURATA ORE  
LIFETIME HOURS  
**30.000**

VOLTAGGIO  
VOLTAGE  
**220-240V**

FREQUENZA  
OPERATING FREQUENCY  
**50/60 HZ**



# INNER S

Sospensione  
Pendant lamp



**0044.31.BI**  
CODICE EAN 8058776899269  
BIANCO/ WHITE

**0044.31.NE**  
CODICE EAN 8059606141497  
NERO/BLACK

**0044.31.SA**  
CODICE EAN 8059606141930  
SABBIA/SAND

KELVIN  
COLOUR TEMPERATURE  
**3.000 K**

LUMEN  
**4.800 LM**

VATTAGGIO  
WATTAGE  
**80 W**

**NON DIMMERABILE**  
**NOT DIMMABLE**

GRADO DI PROTEZIONE  
IP RATING  
**IP20**

MATERIALE  
MATERIAL  
**ALLUMINIO + ACRILICO**  
**ALUMINIUM + ACRYLIC**

ANGOLO  
BEAM ANGLE  
**120°**

CRI  
**≥ 80**

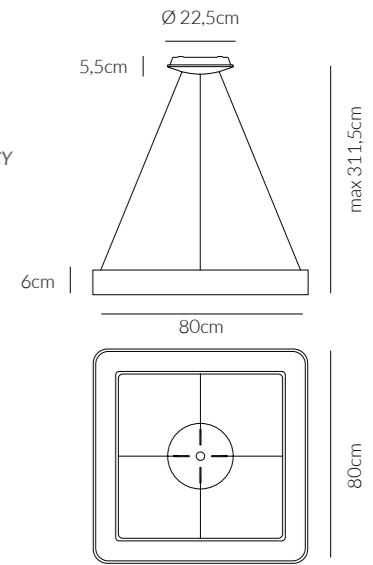
FATTORE DI POTENZA  
POWER FACTOR  
**> 0.9**

**DRIVER INCLUSO**  
**DRIVER INCLUDED**

DURATA ORE  
LIFETIME HOURS  
**30.000**

VOLTAGGIO  
VOLTAGE  
**220-240V**

FREQUENZA  
OPERATING FREQUENCY  
**50/60 HZ**



# TIPI

Sospensione  
Pendant lamp



**0045.30**  
CODICE EAN 8058776899290  
NERO/BLACK

KELVIN  
COLOUR TEMPERATURE  
**3.000 K**

LUMEN  
**9.240 LM**

VATTAGGIO  
WATTAGE  
**107 W**

**NON DIMMERABILE**  
**NOT DIMMABLE**

GRADO DI PROTEZIONE  
IP RATING  
**IP20**

MATERIALE  
MATERIAL  
**ALLUMINIO + ACRILICO**  
**ALUMINIUM + ACRYLIC**

VOLTAGGIO  
VOLTAGE  
**100-240V**

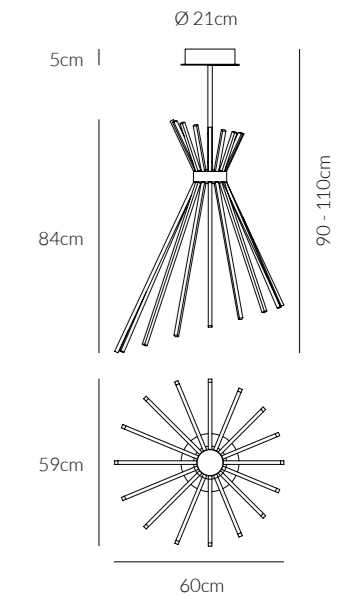
FREQUENZA  
OPERATING FREQUENCY  
**50/60 HZ**

CRI  
**≥ 90**

FATTORE DI POTENZA  
POWER FACTOR  
**> 0.9**

**DRIVER INCLUSO**  
**DRIVER INCLUDED**

DURATA ORE  
LIFETIME HOURS  
**50.000**



# HASHTAG

Plafoniera  
Ceiling lamp

Lampada a parete  
Wall lamp



**0046.20.BI**  
CODICE EAN 8058776899320  
BIANCO/ WHITE

**0046.20.NE**  
CODICE EAN 8059606142722  
NERO/BLACK

KELVIN  
COLOUR TEMPERATURE  
**3.000 K**

LUMEN  
**3.780 LM**

VATTAGGIO  
WATTAGE  
**42 W**

**NON DIMMERABILE**  
**NOT DIMMABLE**

GRADO DI PROTEZIONE  
IP RATING  
**IP20**

MATERIALE  
MATERIAL  
**ALLUMINIO + ACRILICO**  
**ALUMINIUM + ACRYLIC**

ANGOLO  
BEAM ANGLE  
**111°**

CRI  
**≥ 90**

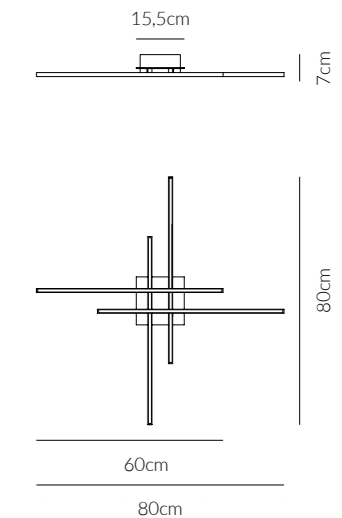
FATTORE DI POTENZA  
POWER FACTOR  
**> 0.9**

**DRIVER INCLUSO**  
**DRIVER INCLUDED**

DURATA ORE  
LIFETIME HOURS  
**50.000**

VOLTAGGIO  
VOLTAGE  
**220-240V**

FREQUENZA  
OPERATING FREQUENCY  
**50/60 HZ**



# HASHTAG

Plafoniera  
Ceiling lamp

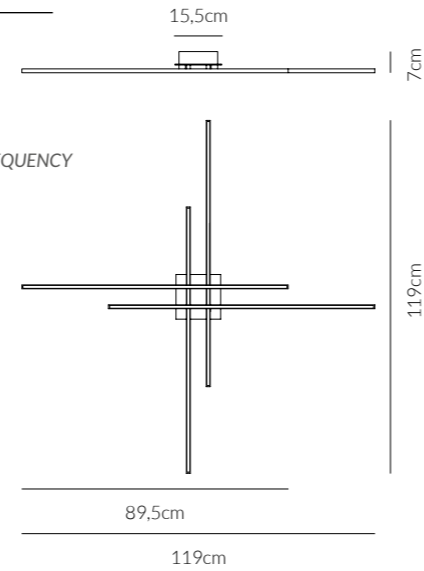
Lampada a parete  
Wall lamp



**0046.21.BI**  
CODICE EAN 8058776899337  
BIANCO/WHITE

**0046.21.NE**  
CODICE EAN 8059606142739  
NERO/BLACK

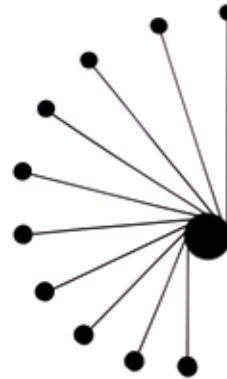
KELVIN COLOUR TEMPERATURE <b>3.000 K</b>	ANGOLO BEAM ANGLE <b>183°</b>	VOLTAGGIO VOLTAGE <b>100-240V</b>
LUMEN <b>5.040 LM</b>	CRI <b>≥ 90</b>	FREQUENZA OPERATING FREQUENCY <b>50/60 HZ</b>
VATTAGGIO WATTAGE <b>56 W</b>	FATTORE DI POTENZA POWER FACTOR <b>&gt; 0.9</b>	
<b>NON DIMMERABILE</b> <b>NOT DIMMABLE</b>	<b>DRIVER INCLUSO</b> <b>DRIVER INCLUDED</b>	
GRADO DI PROTEZIONE IP RATING <b>IP20</b>	DURATA ORE LIFETIME HOURS <b>50.000</b>	
MATERIALE MATERIAL <b>ALLUMINIO + ACRILICO</b> <b>ALUMINIUM + ACRYLIC</b>		



# HELIX

Plafoniera  
Ceiling lamp

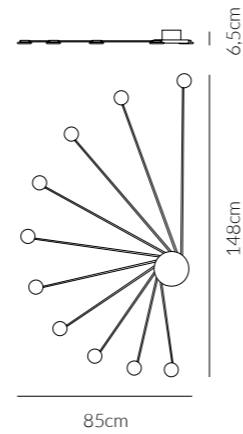
Lampada a parete  
Wall lamp



**0047.10.BI**  
CODICE EAN 8059606141459  
BIANCO/WHITE

**0047.10.NE**  
CODICE EAN 8058776899351  
NERO/BLACK

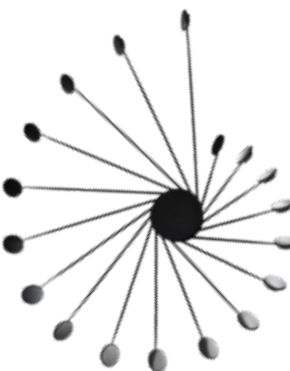
KELVIN COLOUR TEMPERATURE <b>3.000 K</b>	ANGOLO BEAM ANGLE <b>183°</b>	VOLTAGGIO VOLTAGE <b>220-240V</b>
LUMEN <b>2.100 LM</b>	CRI <b>≥ 90</b>	FREQUENZA OPERATING FREQUENCY <b>50/60 HZ</b>
VATTAGGIO WATTAGE <b>10X2 W</b>	FATTORE DI POTENZA POWER FACTOR <b>&gt; 0.9</b>	
<b>NON DIMMERABILE</b> <b>NOT DIMMABLE</b>	<b>DRIVER INCLUSO</b> <b>DRIVER INCLUDED</b>	
GRADO DI PROTEZIONE IP RATING <b>IP20</b>	DURATA ORE LIFETIME HOURS <b>50.000</b>	
MATERIALE MATERIAL <b>ALLUMINIO + VETRO</b> <b>ALUMINIUM + GLASS</b>		



# HELIX

Plafoniera  
Ceiling lamp

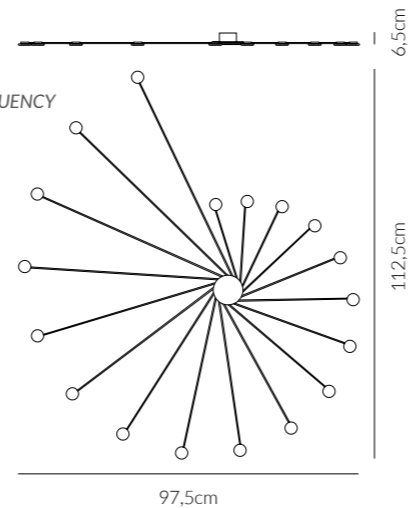
Lampada a parete  
Wall lamp



**0047.11.BI DIM**  
CODICE EAN 8059606141442  
BIANCO/WHITE

**0047.11.NE**  
CODICE EAN 8058776899344  
NERO/BLACK

KELVIN COLOUR TEMPERATURE <b>3.000 K</b>	ANGOLO BEAM ANGLE <b>183°</b>	VOLTAGGIO VOLTAGE <b>220-240V</b>
LUMEN <b>3.780 LM</b>	CRI <b>≥ 90</b>	FREQUENZA OPERATING FREQUENCY <b>50/60 HZ</b>
VATTAGGIO WATTAGE <b>18X2 W</b>	FATTORE DI POTENZA POWER FACTOR <b>&gt; 0.9</b>	
<b>DIMMERABILE</b> <b>DIMMABLE</b>	<b>DRIVER INCLUSO</b> <b>DRIVER INCLUDED</b>	
GRADO DI PROTEZIONE IP RATING <b>IP20</b>	DURATA ORE LIFETIME HOURS <b>50.000</b>	
MATERIALE MATERIAL <b>ALLUMINIO + VETRO</b> <b>ALUMINIUM + GLASS</b>		



# CIAK

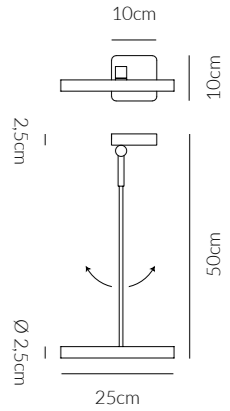
Plafoniera  
Ceiling lamp

Lampada a parete  
Wall lamp



**0048.10**  
CODICE EAN 8058776899375  
NERO/BLACK

KELVIN COLOUR TEMPERATURE <b>3.000 K</b>	ANGOLO BEAM ANGLE <b>25°</b>	VOLTAGGIO VOLTAGE <b>220-240V</b>
LUMEN <b>525 LM</b>	CRI <b>≥ 90</b>	FREQUENZA OPERATING FREQUENCY <b>50/60 HZ</b>
VATTAGGIO WATTAGE <b>6 W</b>	FATTORE DI POTENZA POWER FACTOR <b>0.4</b>	
<b>NON DIMMERABILE</b> <b>NOT DIMMABLE</b>	<b>DRIVER INCLUSO</b> <b>DRIVER INCLUDED</b>	
GRADO DI PROTEZIONE IP RATING <b>IP20</b>	DURATA ORE LIFETIME HOURS <b>50.000</b>	
MATERIALE MATERIAL <b>ALLUMINIO + VETRO</b> <b>ALUMINIUM + GLASS</b>		



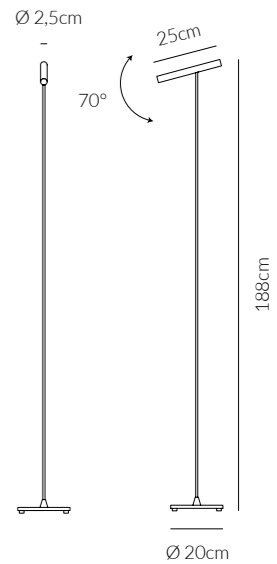
# CIAK

Lampada da terra  
Floor lamp



**0048.50 DIM**  
CODICE EAN 8058776899368  
NERO/BLACK

KELVIN COLOUR TEMPERATURE <b>3.000 K</b>	ANGOLO BEAM ANGLE <b>25°</b>	VOLTAGGIO VOLTAGE <b>220-240V</b>
LUMEN <b>735 LM</b>	CRI <b>≥ 90</b>	FREQUENZA OPERATING FREQUENCY <b>50/60 HZ</b>
VATTAGGIO WATTAGE <b>8,5 W</b>	FATTORE DI POTENZA POWER FACTOR <b>0.5</b>	
<b>DIMMERABILE</b> <b>DIMMABLE</b>	<b>DRIVER INCLUSO</b> <b>DRIVER INCLUDED</b>	
GRADO DI PROTEZIONE IP RATING <b>IP20</b>	DURATA ORE LIFETIME HOURS <b>50.000</b>	
MATERIALE MATERIAL <b>ALLUMINIO + VETRO</b> <b>ALUMINIUM + GLASS</b>		



# STICK

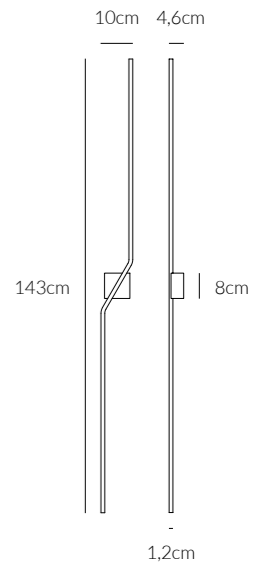
Plafoniera  
Ceiling lamp

Lampada a parete  
Wall lamp



**0049.10**  
CODICE EAN 8058776899382  
BIANCO/WHITE

KELVIN COLOUR TEMPERATURE <b>3.000 K</b>	ANGOLO BEAM ANGLE <b>25°</b>	VOLTAGGIO VOLTAGE <b>220-240V</b>
LUMEN <b>840 LM</b>	CRI <b>≥ 90</b>	FREQUENZA OPERATING FREQUENCY <b>50/60 HZ</b>
VATTAGGIO WATTAGE <b>10 W</b>	FATTORE DI POTENZA POWER FACTOR <b>&gt; 0.9</b>	
<b>NON DIMMERABILE</b> <b>NOT DIMMABLE</b>	<b>DRIVER INCLUSO</b> <b>DRIVER INCLUDED</b>	
GRADO DI PROTEZIONE IP RATING <b>IP54</b>	DURATA ORE LIFETIME HOURS <b>50.000</b>	
MATERIALE MATERIAL <b>ALLUMINIO + ACRILICO</b> <b>ALUMINIUM + ACRYLIC</b>		





# STICK

Lampada a parete  
Wall lamp



**0050.10**  
CODICE EAN 8058776899399  
**BIANCO/WHITE**

**KELVIN COLOUR TEMPERATURE 3.000 K**

**LUMEN 840 LM**

**VATTAGGIO WATTAGE 10 W**

**NON DIMMERABILE NOT DIMMABLE**

**GRADO DI PROTEZIONE IP RATING IP54**

**MATERIALE MATERIAL ALLUMINIO + ACRILICO ALUMINIUM + ACRYLIC**

**ANGOLO BEAM ANGLE 128°**

**CRI ≥ 90**

**FATTORE DI POTENZA POWER FACTOR > 0.9**

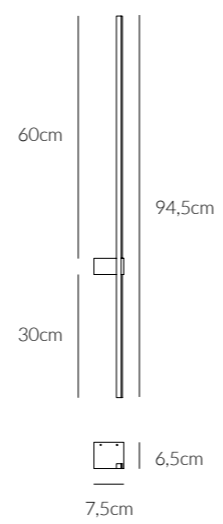
**DRIVER INCLUSO DRIVER INCLUDED**

**DURATA ORE LIFETIME HOURS 50.000**

**VOLTAGGIO VOLTAGE 220-240V**

**FREQUENZA OPERATING FREQUENCY 50/60 HZ**

## LUCE DESTRA RIGHT LIGHT



# STICK

Lampada a parete  
Wall lamp



**0050.11**  
CODICE EAN 8058776899405  
**BIANCO/WHITE**

**KELVIN COLOUR TEMPERATURE 3.000 K**

**LUMEN 840 LM**

**VATTAGGIO WATTAGE 10 W**

**NON DIMMERABILE NOT DIMMABLE**

**GRADO DI PROTEZIONE IP RATING IP54**

**MATERIALE MATERIAL ALLUMINIO + ACRILICO ALUMINIUM + ACRYLIC**

**ANGOLO BEAM ANGLE 128°**

**CRI 90**

**FATTORE DI POTENZA POWER FACTOR > 0.9**

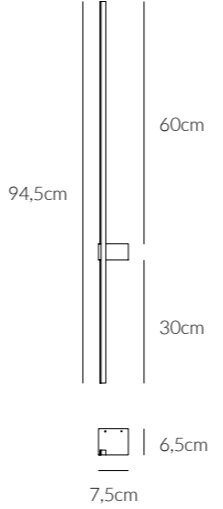
**DRIVER INCLUSO DRIVER INCLUDED**

**DURATA ORE LIFETIME HOURS 50.000**

**VOLTAGGIO VOLTAGE 220-240V**

**FREQUENZA OPERATING FREQUENCY 50/60 HZ**

## LUCE SINISTRA LEFT LIGHT



# GALILEO

Sospensione  
Pendant lamp



**0051.30**  
CODICE EAN 8058776899306  
**NERO/BLACK**

**KELVIN COLOUR TEMPERATURE 3.000 K**

**LUMEN 3.600 LM**

**VATTAGGIO WATTAGE 18X2 W**

**NON DIMMERABILE NOT DIMMABLE**

**GRADO DI PROTEZIONE IP RATING IP20**

**MATERIALE MATERIAL ALLUMINIO + ACRILICO ALUMINIUM + ACRYLIC**

**ANGOLO BEAM ANGLE 150°**

**CRI 80**

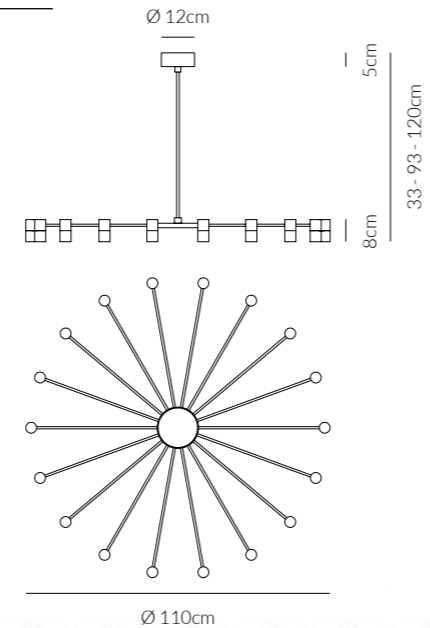
**FATTORE DI POTENZA POWER FACTOR > 0.5**

**DRIVER INCLUSO DRIVER INCLUDED**

**DURATA ORE LIFETIME HOURS 35.000**

**VOLTAGGIO VOLTAGE 220-240V**

**FREQUENZA OPERATING FREQUENCY 50/60 HZ**



# GALILEO

Sospensione  
Pendant lamp



**0051.31**  
CODICE EAN 8058776899313  
**NERO/BLACK**

**KELVIN COLOUR TEMPERATURE 3.000 K**

**LUMEN 3.600 LM**

**VATTAGGIO WATTAGE 18X2 W**

**NON DIMMERABILE NOT DIMMABLE**

**GRADO DI PROTEZIONE IP RATING IP20**

**MATERIALE MATERIAL ALLUMINIO + ACRILICO ALUMINIUM + ACRYLIC**

**ANGOLO BEAM ANGLE 150°**

**CRI ≥ 90**

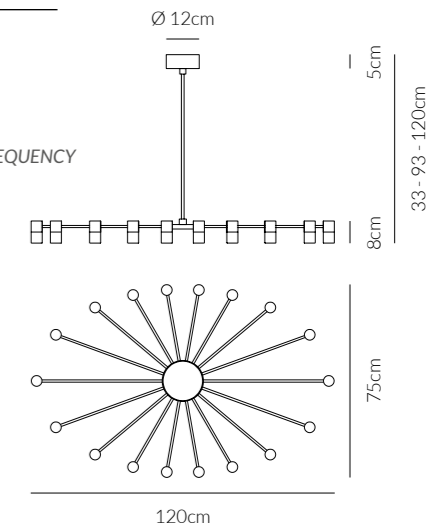
**FATTORE DI POTENZA POWER FACTOR > 0.9**

**DRIVER INCLUSO DRIVER INCLUDED**

**DURATA ORE LIFETIME HOURS 50.000**

**VOLTAGGIO VOLTAGE 220-240V**

**FREQUENZA OPERATING FREQUENCY 50/60 HZ**



# TWIST

Sospensione  
Pendant lamp



**0052.30.BI**  
CODICE EAN 8059606143088  
**BIANCO/WHITE**

**0052.30.NE**  
CODICE EAN 8059606143095  
**NERO/BLACK**

**0052.30.OR**  
CODICE EAN 8058776899559  
**ORO ROSA/ROSE GOLD**

**KELVIN COLOUR TEMPERATURE 3.000 K**

**LUMEN 400 LM**

**VATTAGGIO WATTAGE 5 W**

**NON DIMMERABILE NOT DIMMABLE**

**GRADO DI PROTEZIONE IP RATING IP20**

**MATERIALE MATERIAL ALLUMINIO + PMMA FERRO VERNICIATO**

**ANGOLO BEAM ANGLE 150°**

**CRI 80**

**FATTORE DI POTENZA POWER FACTOR > 0.5**

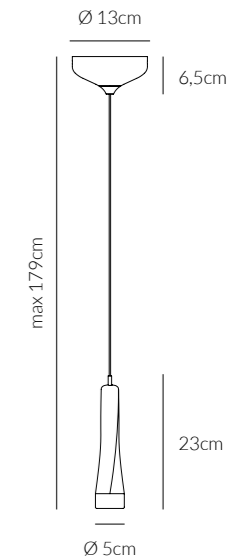
**DRIVER INCLUSO DRIVER INCLUDED**

**DURATA ORE LIFETIME HOURS 35.000**

**ALUMINUM + PMMA+ PAINTED IRON**

**VOLTAGGIO VOLTAGE 220-240V**

**FREQUENZA OPERATING FREQUENCY 50/60 HZ**



# TWIST

Sospensione  
Pendant lamp



**0052.31.BI**  
CODICE EAN 8059606143101  
**BIANCO/WHITE**

**0052.31.NE**  
CODICE EAN 8059606143118  
**NERO/BLACK**

**0052.31.OR**  
CODICE EAN 8058776899566  
**ORO ROSA/ROSE GOLD**

**KELVIN COLOUR TEMPERATURE 3.000 K**

**LUMEN 1.450 LM**

**VATTAGGIO WATTAGE 18 W**

**NON DIMMERABILE NOT DIMMABLE**

**GRADO DI PROTEZIONE IP RATING IP20**

**MATERIALE MATERIAL ALLUMINIO + PMMA FERRO VERNICIATO**

**ANGOLO BEAM ANGLE 150°**

**CRI 80**

**FATTORE DI POTENZA POWER FACTOR > 0.5**

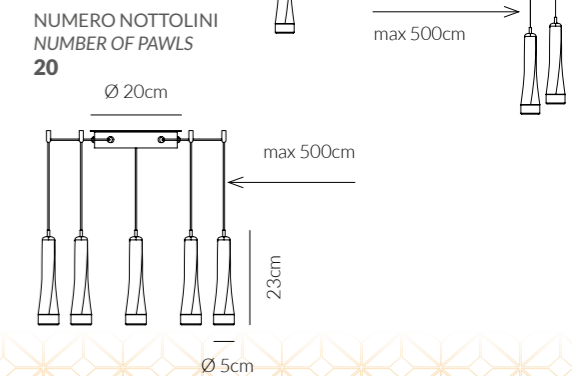
**DRIVER INCLUSO DRIVER INCLUDED**

**DURATA ORE LIFETIME HOURS 35.000**

**ALUMINUM + PMMA+ PAINTED IRON**

**VOLTAGGIO VOLTAGE 220-240V**

**FREQUENZA OPERATING FREQUENCY 50/60 HZ**



# ACCESSORI TWIST

Twist accessory



**NTL0052.31.BI**  
CODICE EAN 8059606143484  
BIANCO/ WHITE

**NTL0052.31.NE**  
CODICE EAN 8059606143491  
NERO/BLACK

**NTL0052.31.OR**  
CODICE EAN 8058776895810  
ORO ROSA/ROSE GOLD

## KIT NOTTOLINI PAWL KIT

NUMERO  
NUMBER  
5

MATERIALE  
MATERIAL  
**ACCIAIO**  
STEEL

# BAG

Sospensione  
Pendant lamp



**0053.32.BI**  
CODICE EAN 8059606143163  
BIANCO/ WHITE

**0053.32.NE**  
CODICE EAN 8059606143170  
NERO/BLACK

**0053.32.OR**  
CODICE EAN 8058776899610  
ORO ROSA/ROSE GOLD

KELVIN  
COLOUR TEMPERATURE  
**3.000 K**

ANGOLO  
BEAM ANGLE  
**150°**

VOLTAGGIO  
VOLTAGE  
**220-240V**

LUMEN  
**1.100 LM**

CRI  
**80**

FREQUENZA  
OPERATING  
FREQUENCY  
**50/60 HZ**

VATTAGGIO  
WATTAGE  
**16 W**

FATTORE DI POTENZA  
POWER FACTOR  
**> 0.9**

**NON DIMMERABILE**  
**NOT DIMMABLE**

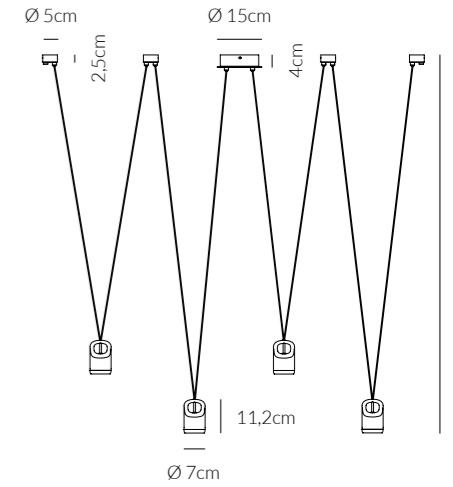
**DRIVER INCLUSO**  
**DRIVER INCLUDED**

GRADO DI PROTEZIONE  
IP RATING  
**IP20**

DURATA ORE  
LIFETIME HOURS  
**35.000**

MATERIALE  
MATERIAL  
**ALLUMINIO + PMMA**  
**FERRO VERNICIATO**

**ALUMINUM +**  
**PMMA+ PAINTED**  
**IRON**



# BAG

Sospensione  
Pendant lamp



**0053.30.BI**  
CODICE EAN 8058776899580  
BIANCO/ WHITE

**0053.30.NE**  
CODICE EAN 8059606143132  
NERO/BLACK

**0053.30.OR**  
CODICE EAN 8058776899559  
ORO ROSA/ROSE GOLD

KELVIN  
COLOUR TEMPERATURE  
**3.000 K**

ANGOLO  
BEAM ANGLE  
**150°**

VOLTAGGIO  
VOLTAGE  
**220-240V**

LUMEN  
**350 LM**

CRI  
**80**

FREQUENZA  
OPERATING FREQUENCY  
**50/60 HZ**

VATTAGGIO  
WATTAGE  
**5 W**

FATTORE DI POTENZA  
POWER FACTOR  
**> 0.5**

**NON DIMMERABILE**  
**NOT DIMMABLE**

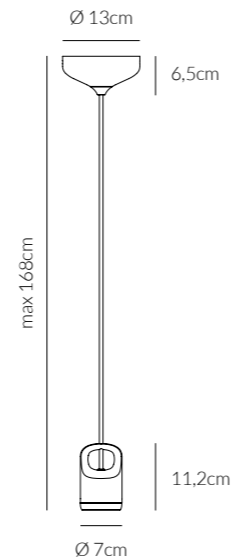
**DRIVER INCLUSO**  
**DRIVER INCLUDED**

GRADO DI PROTEZIONE  
IP RATING  
**IP20**

DURATA ORE  
LIFETIME HOURS  
**35.000**

MATERIALE  
MATERIAL  
**ALLUMINIO + PMMA**  
**FERRO VERNICIATO**

**ALUMINUM +**  
**PMMA+ PAINTED**  
**IRON**



# BAG

Sospensione  
Pendant lamp



**0053.33.BI**  
CODICE EAN 8059606143187  
BIANCO/ WHITE

**0053.33.NE**  
CODICE EAN 8059606143194  
NERO/BLACK

**0053.33.OR**  
CODICE EAN 8058776899603  
ORO ROSA/ROSE GOLD

KELVIN  
COLOUR TEMPERATURE  
**3.000 K**

ANGOLO  
BEAM ANGLE  
**150°**

VOLTAGGIO  
VOLTAGE  
**220-240V**

LUMEN  
**2.650 LM**

CRI  
**80**

FREQUENZA  
OPERATING FREQUENCY  
**50/60 HZ**

VATTAGGIO  
WATTAGE  
**38 W**

FATTORE DI POTENZA  
POWER FACTOR  
**> 0.9**

**NON DIMMERABILE**  
**NOT DIMMABLE**

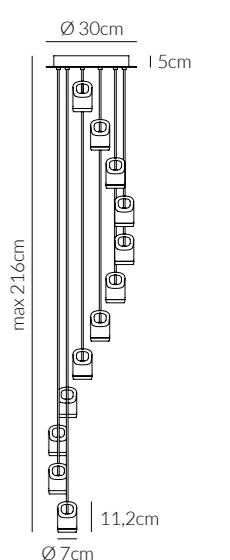
**DRIVER INCLUSO**  
**DRIVER INCLUDED**

GRADO DI PROTEZIONE  
IP RATING  
**IP20**

DURATA ORE  
LIFETIME HOURS  
**35.000**

MATERIALE  
MATERIAL  
**ALLUMINIO + PMMA**  
**FERRO VERNICIATO**

**ALUMINUM +**  
**PMMA+ PAINTED**  
**IRON**



# BAG

Sospensione  
Pendant lamp



**0053.31.BI**  
CODICE EAN 8059606143149  
BIANCO/ WHITE

**0053.31.NE**  
CODICE EAN 8059606143156  
NERO/BLACK

**0053.31.OR**  
CODICE EAN 8058776899597  
ORO ROSA/ROSE GOLD

KELVIN  
COLOUR TEMPERATURE  
**3.000 K**

ANGOLO  
BEAM ANGLE  
**150°**

VOLTAGGIO  
VOLTAGE  
**220-240V**

LUMEN  
**850 LM**

CRI  
**80**

FREQUENZA  
OPERATING FREQUENCY  
**50/60 HZ**

VATTAGGIO  
WATTAGE  
**12 W**

FATTORE DI POTENZA  
POWER FACTOR  
**> 0.9**

**NON DIMMERABILE**  
**NOT DIMMABLE**

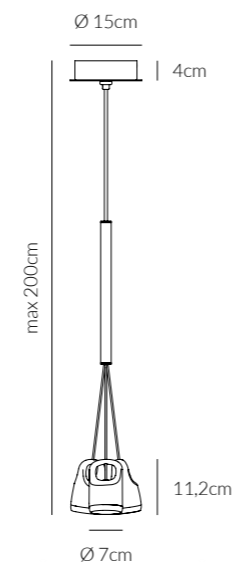
**DRIVER INCLUSO**  
**DRIVER INCLUDED**

GRADO DI PROTEZIONE  
IP RATING  
**IP20**

DURATA ORE  
LIFETIME HOURS  
**35.000**

MATERIALE  
MATERIAL  
**ALLUMINIO + PMMA**  
**FERRO VERNICIATO**

**ALUMINUM +**  
**PMMA+ PAINTED**  
**IRON**



# SHALLOW

Sospensione  
Pendant lamp



**0054.30.BI**  
CODICE EAN 8059606143200  
BIANCO/ WHITE

**0054.30.NE**  
CODICE EAN 8059606143217  
NERO/BLACK

**0054.30.OR**  
CODICE EAN 8058776899511  
ORO ROSA/ROSE GOLD

KELVIN  
COLOUR TEMPERATURE  
**3.000 K**

ANGOLO  
BEAM ANGLE  
**120°**

VOLTAGGIO  
VOLTAGE  
**220-240V**

LUMEN  
**370 LM**

CRI  
**80**

FREQUENZA  
OPERATING FREQUENCY  
**50/60 HZ**

VATTAGGIO  
WATTAGE  
**5 W**

FATTORE DI POTENZA  
POWER FACTOR  
**> 0.5**

**NON DIMMERABILE**  
**NOT DIMMABLE**

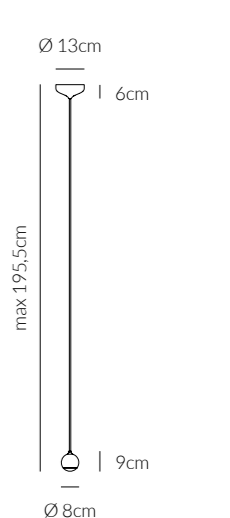
**DRIVER INCLUSO**  
**DRIVER INCLUDED**

GRADO DI PROTEZIONE  
IP RATING  
**IP20**

DURATA ORE  
LIFETIME HOURS  
**35.000**

MATERIALE  
MATERIAL  
**ALLUMINIO + PMMA**  
**FERRO VERNICIATO**

**ALUMINUM +**  
**PMMA+ PAINTED**  
**IRON**





# SHALLOW

Sospensione  
Pendant lamp



**0054.31.BI**  
CODICE EAN 8059606143224  
BIANCO/ WHITE

**0054.31.NE**  
CODICE EAN 8059606143231  
NERO/BLACK

**0054.31.OR**  
CODICE EAN 8058776899528  
ORO ROSA/ROSE GOLD

KELVIN  
COLOUR TEMPERATURE  
**3.000 K**

LUMEN  
**1.200 LM**

VATTAGGIO  
WATTAGE  
**16 W**

**NON DIMMERABILE**  
**NOT DIMMABLE**

GRADO DI PROTEZIONE  
IP RATING  
**IP20**

MATERIALE  
MATERIAL  
**ALLUMINIO + PMMA**  
**FERRO VERNICIATO**

ANGOLO  
BEAM ANGLE  
**120°**

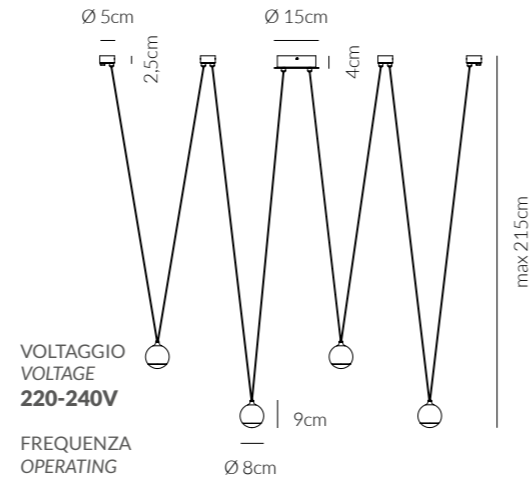
CRI  
**80**

FATTORE DI POTENZA  
POWER FACTOR  
**> 0.9**

**DRIVER INCLUSO**  
**DRIVER INCLUDED**

DURATA ORE  
LIFETIME HOURS  
**35.000**

**ALUMINUM +**  
**PMMA+ PAINTED**  
**IRON**



VOLTAGGIO  
VOLTAGE  
**220-240V**

FREQUENZA  
OPERATING  
FREQUENCY  
**50/60 HZ**

# SHALLOW

Sospensione  
Pendant lamp



**0054.32.BI**  
CODICE EAN 8059606143248  
BIANCO/ WHITE

**0054.32.NE**  
CODICE EAN 8059606143255  
NERO/BLACK

**0054.32.OR**  
CODICE EAN 8058776899535  
ORO ROSA/ROSE GOLD

KELVIN  
COLOUR TEMPERATURE  
**3.000 K**

LUMEN  
**3.000 LM**

VATTAGGIO  
WATTAGE  
**40 W**

**NON DIMMERABILE**  
**NOT DIMMABLE**

GRADO DI PROTEZIONE  
IP RATING  
**IP20**

MATERIALE  
MATERIAL  
**ALLUMINIO + PMMA**  
**FERRO VERNICIATO**

ANGOLO  
BEAM ANGLE  
**120°**

CRI  
**80**

FATTORE DI POTENZA  
POWER FACTOR  
**> 0.9**

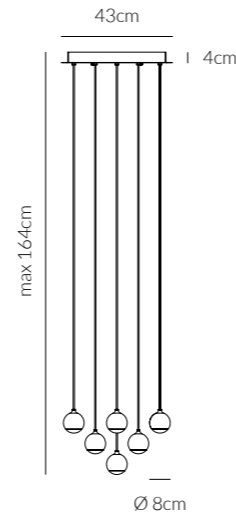
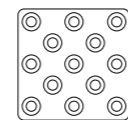
**DRIVER INCLUSO**  
**DRIVER INCLUDED**

DURATA ORE  
LIFETIME HOURS  
**35.000**

**ALUMINUM +**  
**PMMA+ PAINTED**  
**IRON**

VOLTAGGIO  
VOLTAGE  
**220-240V**

FREQUENZA  
OPERATING FREQUENCY  
**50/60 HZ**



# SHALLOW

Sospensione  
Pendant lamp



**0054.33.BI**  
CODICE EAN 8059606143262  
BIANCO/ WHITE

**0054.33.NE**  
CODICE EAN 8059606143279  
NERO/BLACK

**0054.33.OR**  
CODICE EAN 8058776899542  
ORO ROSA/ROSE GOLD

KELVIN  
COLOUR TEMPERATURE  
**3.000 K**

LUMEN  
**4.650 LM**

VATTAGGIO  
WATTAGE  
**62 W**

**NON DIMMERABILE**  
**NOT DIMMABLE**

GRADO DI PROTEZIONE  
IP RATING  
**IP20**

MATERIALE  
MATERIAL  
**ALLUMINIO + PMMA**  
**FERRO VERNICIATO**

ANGOLO  
BEAM ANGLE  
**120°**

CRI  
**80**

FATTORE DI POTENZA  
POWER FACTOR  
**> 0.9**

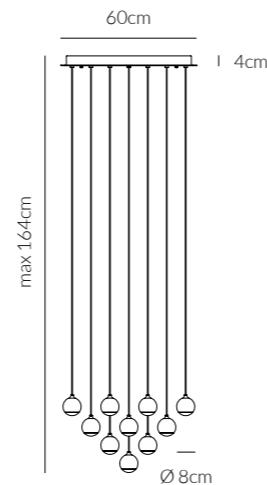
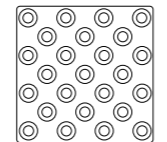
**DRIVER INCLUSO**  
**DRIVER INCLUDED**

DURATA ORE  
LIFETIME HOURS  
**35.000**

**ALUMINUM +**  
**PMMA+ PAINTED**  
**IRON**

VOLTAGGIO  
VOLTAGE  
**220-240V**

FREQUENZA  
OPERATING FREQUENCY  
**50/60 HZ**



# BETU

Lampada a parete  
Wall lamp



**0057.10**  
CODICE EAN 8058776899634  
BIANCO/ WHITE

**0057.11**  
CODICE EAN 8058776899733  
NERO/BLACK

KELVIN  
COLOUR TEMPERATURE  
**3.000 K**

LUMEN  
**120 LM**

VATTAGGIO  
WATTAGE  
**2 W**

**NON DIMMERABILE**  
**NOT DIMMABLE**

GRADO DI PROTEZIONE  
IP RATING  
**IP20**

MATERIALE  
MATERIAL  
**ALLUMINIO**

ANGOLO  
BEAM ANGLE  
**15°**

CRI  
**80**

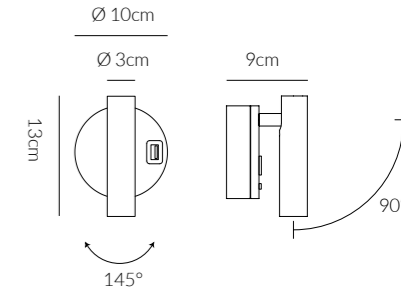
FATTORE DI POTENZA  
POWER FACTOR  
**0.5**

**DRIVER INCLUSO**  
**DRIVER INCLUDED**

DURATA ORE  
LIFETIME HOURS  
**50.000**

VOLTAGGIO  
VOLTAGE  
**100-240V**

FREQUENZA  
OPERATING FREQUENCY  
**50/60 HZ**



# FREEDOM

Lampada a parete  
Wall lamp



**0058.10**  
CODICE EAN 8058776899658  
ORO/ GOLD

KELVIN  
COLOUR TEMPERATURE  
**3.000 K**

LUMEN  
**720 LM**

VATTAGGIO  
WATTAGE  
**3X6 W**

**NON DIMMERABILE**  
**NOT DIMMABLE**

GRADO DI PROTEZIONE  
IP RATING  
**IP20**

MATERIALE  
MATERIAL  
**ACCIAIO + VETRO**  
**STEEL + GLASS**

ANGOLO  
BEAM ANGLE  
**360°**

CRI  
**80**

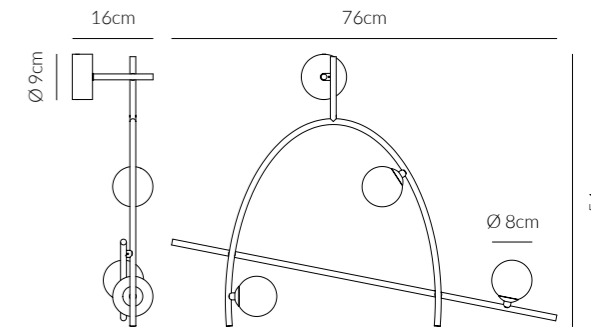
FATTORE DI POTENZA  
POWER FACTOR  
**> 0.9**

**DRIVER INCLUSO**  
**DRIVER INCLUDED**

DURATA ORE  
LIFETIME HOURS  
**50.000**

VOLTAGGIO  
VOLTAGE  
**220-240V**

FREQUENZA  
OPERATING FREQUENCY  
**50/60 HZ**



# FREEDOM

Sospensione  
Pendant lamp



**0058.30**  
CODICE EAN 8058776899641  
ORO/ GOLD

KELVIN  
COLOUR TEMPERATURE  
**3.000 K**

LUMEN  
**720 LM**

VATTAGGIO  
WATTAGE  
**3X6 W**

**NON DIMMERABILE**  
**NOT DIMMABLE**

GRADO DI PROTEZIONE  
IP RATING  
**IP20**

MATERIALE  
MATERIAL  
**ACCIAIO + VETRO**  
**STEEL + GLASS**

ANGOLO  
BEAM ANGLE  
**360°**

CRI  
**80**

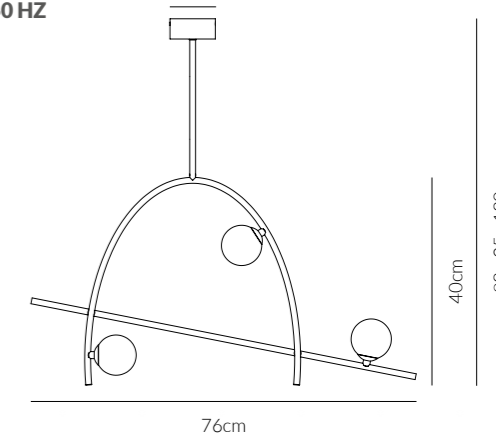
FATTORE DI POTENZA  
POWER FACTOR  
**> 0.9**

**DRIVER INCLUSO**  
**DRIVER INCLUDED**

DURATA ORE  
LIFETIME HOURS  
**50.000**

VOLTAGGIO  
VOLTAGE  
**220-240V**

FREQUENZA  
OPERATING FREQUENCY  
**50/60 HZ**



# FUNAMBULIST

Sospensione  
Pendant lamp



**0059.31**  
CODICE EAN 8058776810165  
BIANCO/ WHITE

KELVIN  
COLOUR TEMPERATURE  
**3.000 K**

LUMEN  
**2.160 LM**

VATTAGGIO  
WATTAGE  
**45 W + 2X3 W**

**NON DIMMERABILE  
NOT DIMMABLE**

GRADO DI PROTEZIONE  
IP RATING  
**IP20**

MATERIALE  
MATERIAL  
**ACCIAIO + ALLUMINIO + PLEXIGLASS  
STEEL + ALUMINIUM + PLEXIGLASS**

ANGOLO  
BEAM ANGLE  
**270°**

CRI  
**80**

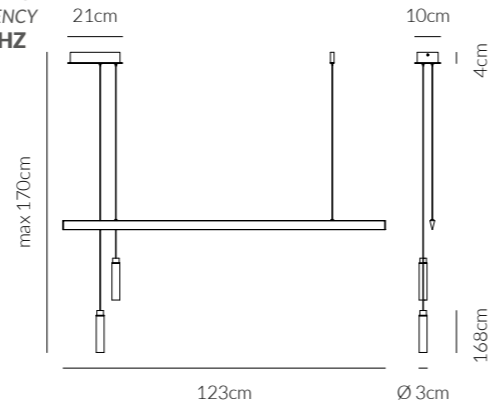
FATTORE DI POTENZA  
POWER FACTOR  
**> 0.9**

**DRIVER INCLUSO  
DRIVER INCLUDED**

DURATA ORE  
LIFETIME HOURS  
**50.000**

VOLTAGGIO  
VOLTAGE  
**220-240V**

FREQUENZA  
OPERATING  
FREQUENCY  
**50/60 HZ**



**0059.32**  
CODICE EAN 8058776810172  
NERO/BLACK

**0059.30**  
CODICE EAN 8058776899665  
OTTONE SPAZZOLATO/ BRUSHED BRASS

# LENS

Sospensione  
Pendant lamp



**0071.32**  
CODICE EAN 8058776899795  
BIANCO/ WHITE

KELVIN  
COLOUR TEMPERATURE  
**3.000 K**

LUMEN  
**2.400 LM**

VATTAGGIO  
WATTAGE  
**40 W**

**NON DIMMERABILE  
NOT DIMMABLE**

GRADO DI PROTEZIONE  
IP RATING  
**IP20**

MATERIALE  
MATERIAL  
**ACCIAIO + ALLUMINIO + SILICONE  
STEEL + ALUMINIUM + SILICONE**

ANGOLO  
BEAM ANGLE  
**120°**

CRI  
**80**

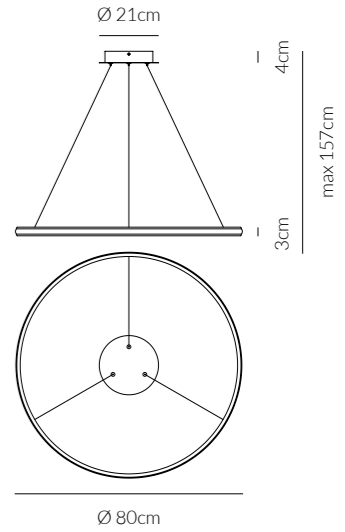
FATTORE DI POTENZA  
POWER FACTOR  
**> 0.9**

**DRIVER INCLUSO  
DRIVER INCLUDED**

DURATA ORE  
LIFETIME HOURS  
**50.000**

VOLTAGGIO  
VOLTAGE  
**220-240V**

FREQUENZA  
OPERATING FREQUENCY  
**50/60 HZ**



# LENS

Sospensione  
Pendant lamp



**0071.30**  
CODICE EAN 8058776899771  
BIANCO/ WHITE

KELVIN  
COLOUR TEMPERATURE  
**3.000 K**

LUMEN  
**960 LM**

VATTAGGIO  
WATTAGE  
**16 W**

**NON DIMMERABILE  
NOT DIMMABLE**

GRADO DI PROTEZIONE  
IP RATING  
**IP20**

MATERIALE  
MATERIAL  
**ACCIAIO + ALLUMINIO + SILICONE  
STEEL + ALUMINIUM + SILICONE**

ANGOLO  
BEAM ANGLE  
**120°**

CRI  
**80**

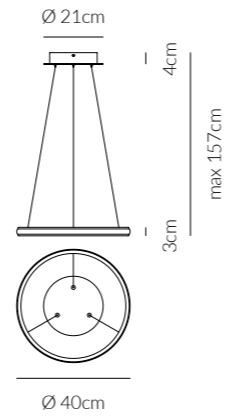
FATTORE DI POTENZA  
POWER FACTOR  
**> 0.9**

**DRIVER INCLUSO  
DRIVER INCLUDED**

DURATA ORE  
LIFETIME HOURS  
**50.000**

VOLTAGGIO  
VOLTAGE  
**220-240V**

FREQUENZA  
OPERATING FREQUENCY  
**50/60 HZ**



# LENS

Sospensione  
Pendant lamp



**0071.33**  
CODICE EAN 8058776899801  
BIANCO/ WHITE

KELVIN  
COLOUR TEMPERATURE  
**3.000 K**

LUMEN  
**3.000 LM**

VATTAGGIO  
WATTAGE  
**50 W**

**NON DIMMERABILE  
NOT DIMMABLE**

GRADO DI PROTEZIONE  
IP RATING  
**IP20**

MATERIALE  
MATERIAL  
**ACCIAIO + ALLUMINIO + SILICONE  
STEEL + ALUMINIUM + SILICONE**

ANGOLO  
BEAM ANGLE  
**120°**

CRI  
**80**

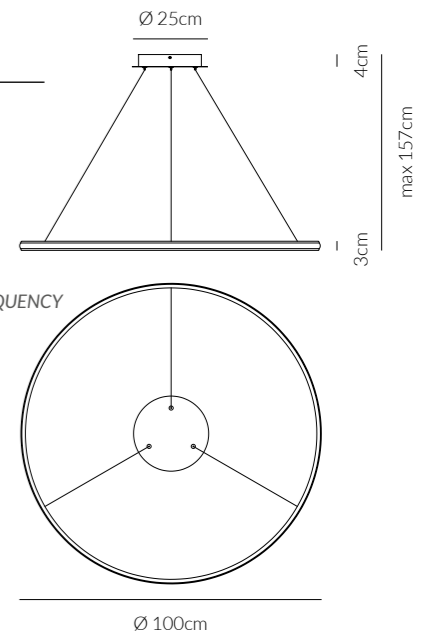
FATTORE DI POTENZA  
POWER FACTOR  
**> 0.9**

**DRIVER INCLUSO  
DRIVER INCLUDED**

DURATA ORE  
LIFETIME HOURS  
**50.000**

VOLTAGGIO  
VOLTAGE  
**220-240V**

FREQUENZA  
OPERATING FREQUENCY  
**50/60 HZ**



# LENS

Sospensione  
Pendant lamp



**0071.31**  
CODICE EAN 8058776899788  
BIANCO/ WHITE

KELVIN  
COLOUR TEMPERATURE  
**3.000 K**

LUMEN  
**1.800 LM**

VATTAGGIO  
WATTAGE  
**30 W**

**NON DIMMERABILE  
NOT DIMMABLE**

GRADO DI PROTEZIONE  
IP RATING  
**IP20**

MATERIALE  
MATERIAL  
**ACCIAIO + ALLUMINIO + SILICONE  
STEEL + ALUMINIUM + SILICONE**

ANGOLO  
BEAM ANGLE  
**120°**

CRI  
**80**

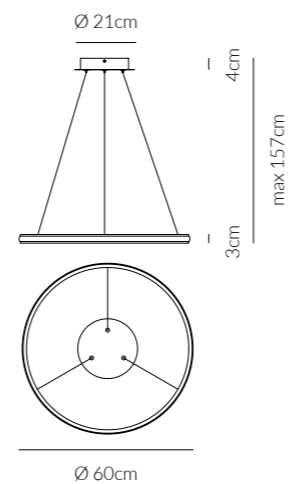
FATTORE DI POTENZA  
POWER FACTOR  
**> 0.9**

**DRIVER INCLUSO  
DRIVER INCLUDED**

DURATA ORE  
LIFETIME HOURS  
**50.000**

VOLTAGGIO  
VOLTAGE  
**220-240V**

FREQUENZA  
OPERATING FREQUENCY  
**50/60 HZ**



# MYSTERY

Sospensione  
Pendant lamp



**0073.30.BI**  
CODICE EAN 8059606142784  
BIANCO/ WHITE

KELVIN  
COLOUR TEMPERATURE  
**3.000 K**

LUMEN  
**480 LM**

VATTAGGIO  
WATTAGE  
**9 W**

**NON DIMMERABILE  
NOT DIMMABLE**

GRADO DI PROTEZIONE  
IP RATING  
**IP20**

MATERIALE  
MATERIAL  
**ACCIAIO + ALLUMINIO + ACRILICO  
STEEL + ALUMINIUM + ACRYLIC**

ANGOLO  
BEAM ANGLE  
**120°**

CRI  
**80**

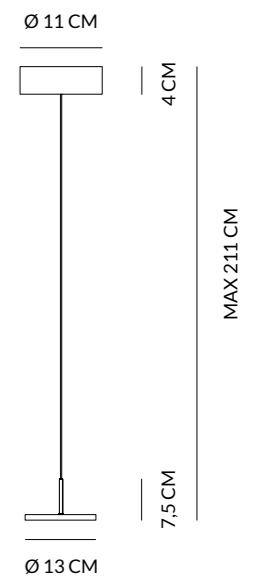
FATTORE DI POTENZA  
POWER FACTOR  
**> 0.9**

**DRIVER INCLUSO  
DRIVER INCLUDED**

DURATA ORE  
LIFETIME HOURS  
**50.000**

VOLTAGGIO  
VOLTAGE  
**220-240**

FREQUENZA  
OPERATING FREQUENCY  
**50/60 HZ**





# MYSTERY

Sospensione  
Pendant lamp



**0073.31.BI**  
CODICE EAN 8059606142791  
BIANCO/ WHITE

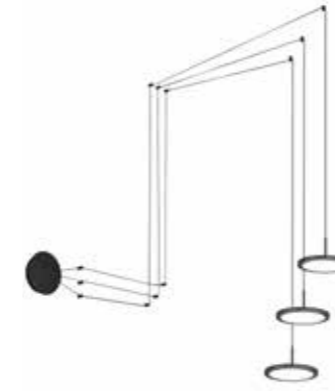
**0073.31.NE**  
CODICE EAN 8058776810134  
NERO/SAND BLACK

KELVIN COLOUR TEMPERATURE <b>3.000 K</b>	ANGOLO BEAM ANGLE <b>120°</b>	VOLTAGGIO VOLTAGE <b>220-240</b>
LUMEN <b>1.080 LM</b>	CRI <b>80</b>	FREQUENZA OPERATING FREQUENCY <b>50/60 HZ</b>
VATTAGGIO WATTAGE <b>15 W</b>	<b>NON DIMMERABILE NOT DIMMABLE</b>	
GRADO DI PROTEZIONE IP RATING <b>IP20</b>	<b>DRIVER INCLUSO DRIVER INCLUDED</b>	
FINITURA ITEM COLOUR <b>NERO</b>	MATERIALE MATERIAL <b>ACCIAIO + ALLUMINIO + ACRILICO STEEL + ALUMINIUM + ACRYLIC</b>	
DURATA ORE LIFETIME HOURS <b>50.000</b>	FATTORE DI POTENZA POWER FACTOR <b>&gt; 0.9</b>	



# MYSTERY

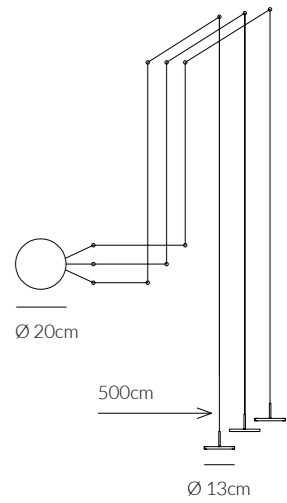
Sospensione  
Pendant lamp



**0073.34.BI**  
CODICE EAN 8059606142821  
BIANCO/ WHITE

**0073.34.NE**  
CODICE EAN 8058776899696  
NERO/SAND BLACK

KELVIN COLOUR TEMPERATURE <b>3.000 K</b>	ANGOLO BEAM ANGLE <b>120°</b>	VOLTAGGIO VOLTAGE <b>220-240V</b>
LUMEN <b>1.880 LM</b>	CRI <b>80</b>	FREQUENZA OPERATING FREQUENCY <b>50/60 HZ</b>
VATTAGGIO WATTAGE <b>30 W</b>	<b>NON DIMMERABILE NOT DIMMABLE</b>	
GRADO DI PROTEZIONE IP RATING <b>IP20</b>	<b>DRIVER INCLUSO DRIVER INCLUDED</b>	
FINITURA ITEM COLOUR <b>NERO</b>	MATERIALE MATERIAL <b>ACCIAIO + ALLUMINIO + ACRILICO STEEL + ALUMINIUM + ACRYLIC</b>	
DURATA ORE LIFETIME HOURS <b>50.000</b>	FATTORE DI POTENZA POWER FACTOR <b>&gt; 0.9</b>	



NUMERO NOTTOLINI  
NUMBER OF PAWLS  
**15**

# MYSTERY

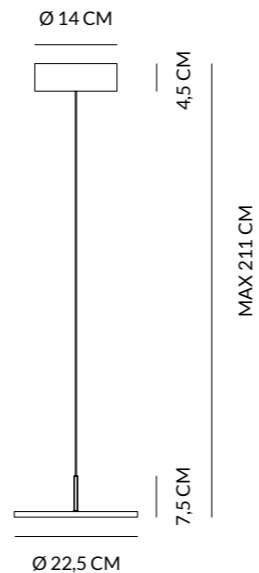
Sospensione  
Pendant lamp



**0073.32.BI**  
CODICE EAN 8059606142807  
BIANCO/ WHITE

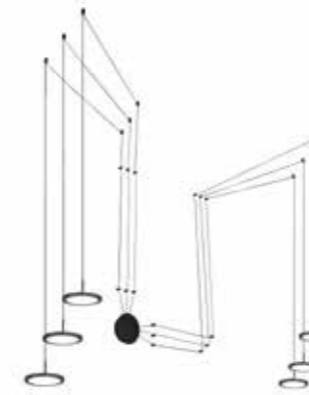
**0073.32.NE**  
CODICE EAN 8058776810141  
NERO/SAND BLACK

KELVIN COLOUR TEMPERATURE <b>3.000 K</b>	ANGOLO BEAM ANGLE <b>120°</b>	VOLTAGGIO VOLTAGE <b>220-240</b>
LUMEN <b>1.680 LM</b>	CRI <b>80</b>	FREQUENZA OPERATING FREQUENCY <b>50/60 HZ</b>
VATTAGGIO WATTAGE <b>20 W</b>	<b>NON DIMMERABILE NOT DIMMABLE</b>	
GRADO DI PROTEZIONE IP RATING <b>IP20</b>	<b>DRIVER INCLUSO DRIVER INCLUDED</b>	
FINITURA ITEM COLOUR <b>NERO</b>	MATERIALE MATERIAL <b>ACCIAIO + ALLUMINIO + ACRILICO STEEL + ALUMINIUM + ACRYLIC</b>	
DURATA ORE LIFETIME HOURS <b>50.000</b>	FATTORE DI POTENZA POWER FACTOR <b>&gt; 0.95</b>	



# MYSTERY

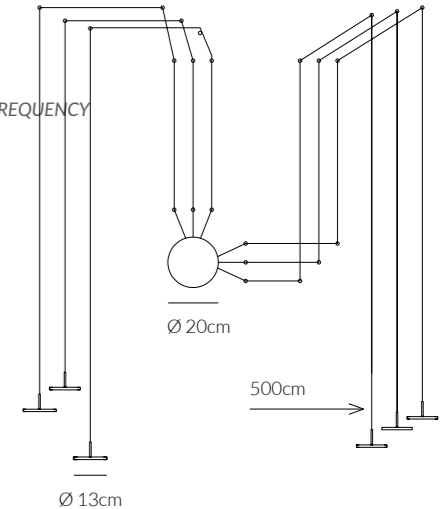
Sospensione  
Pendant lamp



**0073.35.BI**  
CODICE EAN 8059606142838  
BIANCO/ WHITE

**0073.35.NE**  
CODICE EAN 8058776899702  
NERO/SAND BLACK

KELVIN COLOUR TEMPERATURE <b>3.000 K</b>	ANGOLO BEAM ANGLE <b>120°</b>	VOLTAGGIO VOLTAGE <b>220-240V</b>
LUMEN <b>3.860 LM</b>	CRI <b>80</b>	FREQUENZA OPERATING FREQUENCY <b>50/60 HZ</b>
VATTAGGIO WATTAGE <b>60 W</b>	<b>NON DIMMERABILE NOT DIMMABLE</b>	
GRADO DI PROTEZIONE IP RATING <b>IP20</b>	<b>DRIVER INCLUSO DRIVER INCLUDED</b>	
FINITURA ITEM COLOUR <b>NERO</b>	MATERIALE MATERIAL <b>ACCIAIO + ALLUMINIO + ACRILICO STEEL + ALUMINIUM + ACRYLIC</b>	
DURATA ORE LIFETIME HOURS <b>50.000</b>	FATTORE DI POTENZA POWER FACTOR <b>&gt; 0.95</b>	



NUMERO NOTTOLINI  
NUMBER OF PAWLS  
**27**

# MYSTERY

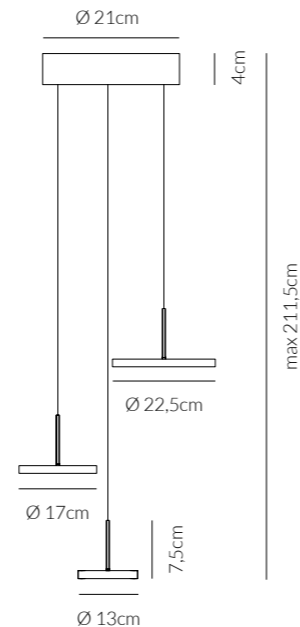
Sospensione  
Pendant lamp



**0073.33.BI**  
CODICE EAN 8059606142814  
BIANCO/ WHITE

**0073.33.NE**  
CODICE EAN 8058776810158  
NERO/SAND BLACK

KELVIN COLOUR TEMPERATURE <b>3.000 K</b>	ANGOLO BEAM ANGLE <b>120°</b>	VOLTAGGIO VOLTAGE <b>220-240</b>
LUMEN <b>3.680 LM</b>	CRI <b>80</b>	FREQUENZA OPERATING FREQUENCY <b>50/60 HZ</b>
VATTAGGIO WATTAGE <b>45 W</b>	<b>NON DIMMERABILE NOT DIMMABLE</b>	
GRADO DI PROTEZIONE IP RATING <b>IP20</b>	<b>DRIVER INCLUSO DRIVER INCLUDED</b>	
FINITURA ITEM COLOUR <b>NERO</b>	MATERIALE MATERIAL <b>ACCIAIO + ALLUMINIO + ACRILICO STEEL + ALUMINIUM + ACRYLIC</b>	
DURATA ORE LIFETIME HOURS <b>50.000</b>	FATTORE DI POTENZA POWER FACTOR <b>&gt; 0.95</b>	



# ACCESSORI MYSTERY

Mystery accessory



**NTL0073.34-35.BI**  
CODICE EAN 8059606143521  
BIANCO/ WHITE

**NTL0073.34-35.NE**  
CODICE EAN 8058776896305  
NERO/SAND BLACK

<b>KIT NOTTOLINI NERO BLACK PAWL KIT</b>
NUMERO NUMBER <b>3</b>
FINITURA ITEM COLOUR <b>NERO BLACK</b>
MATERIALE MATERIAL <b>ACCIAIO STEEL</b>

# OLYMPIC

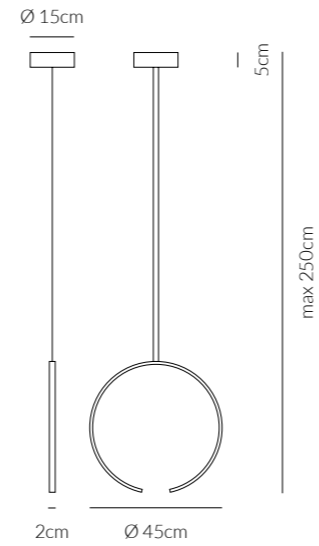
Sospensione  
Pendant lamp



**0074.30**  
CODICE EAN 8058776899719  
BIANCO/ WHITE

**0074.31**  
CODICE EAN 8058776899726  
NERO/SAND BLACK

KELVIN COLOUR TEMPERATURE <b>3.000 K</b>	ANGOLO BEAM ANGLE <b>120°</b>	VOLTAGGIO VOLTAGE <b>220-240V</b>
LUMEN <b>1.280 LM</b>	CRI <b>80</b>	FREQUENZA OPERATING FREQUENCY <b>50/60 HZ</b>
VATTAGGIO WATTAGE <b>25 W</b>	FATTORE DI POTENZA POWER FACTOR <b>&gt; 0.9</b>	
<b>NON DIMMERABILE NOT DIMMABLE</b>	<b>DRIVER INCLUSO DRIVER INCLUDED</b>	
GRADO DI PROTEZIONE IP RATING <b>IP20</b>	DURATA ORE LIFETIME HOURS <b>50.000</b>	
MATERIALE MATERIAL <b>ACCIAIO + ALLUMINIO + ACRILICO STEEL + ALUMINIUM + ACRYLIC</b>		



# OLYMPIC

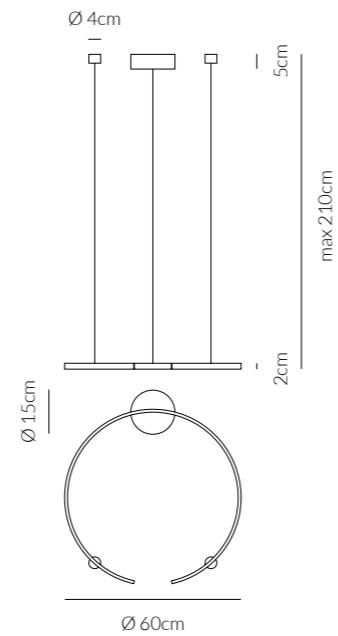
Sospensione  
Pendant lamp



**0074.32**  
CODICE EAN 8058776899825  
BIANCO/ WHITE

**0074.33**  
CODICE EAN 8058776899832  
NERO/SAND BLACK

KELVIN COLOUR TEMPERATURE <b>3.000 K</b>	ANGOLO BEAM ANGLE <b>120°</b>	VOLTAGGIO VOLTAGE <b>220-240V</b>
LUMEN <b>1.580 LM</b>	CRI <b>80</b>	FREQUENZA OPERATING FREQUENCY <b>50/60 HZ</b>
VATTAGGIO WATTAGE <b>30 W</b>	FATTORE DI POTENZA POWER FACTOR <b>&gt; 0.9</b>	
<b>NON DIMMERABILE NOT DIMMABLE</b>	<b>DRIVER INCLUSO DRIVER INCLUDED</b>	
GRADO DI PROTEZIONE IP RATING <b>IP20</b>	DURATA ORE LIFETIME HOURS <b>50.000</b>	
MATERIALE MATERIAL <b>ACCIAIO + ALLUMINIO + ACRILICO STEEL + ALUMINIUM + ACRYLIC</b>		



# OLYMPIC

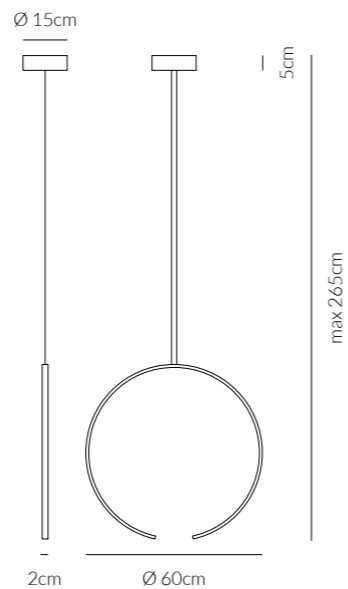
Sospensione  
Pendant lamp



**0074.34**  
CODICE EAN 8058776899689  
BIANCO/ WHITE

**0074.35**  
CODICE EAN 8058776899894  
NERO/SAND BLACK

KELVIN COLOUR TEMPERATURE <b>3.000 K</b>	ANGOLO BEAM ANGLE <b>120°</b>	VOLTAGGIO VOLTAGE <b>220-240V</b>
LUMEN <b>1.580 LM</b>	CRI <b>80</b>	FREQUENZA OPERATING FREQUENCY <b>50/60 HZ</b>
VATTAGGIO WATTAGE <b>30 W</b>	FATTORE DI POTENZA POWER FACTOR <b>&gt; 0.9</b>	
<b>NON DIMMERABILE NOT DIMMABLE</b>	<b>DRIVER INCLUSO DRIVER INCLUDED</b>	
GRADO DI PROTEZIONE IP RATING <b>IP20</b>	DURATA ORE LIFETIME HOURS <b>50.000</b>	
MATERIALE MATERIAL <b>ACCIAIO + ALLUMINIO + ACRILICO STEEL + ALUMINIUM + ACRYLIC</b>		



# OLYMPIC

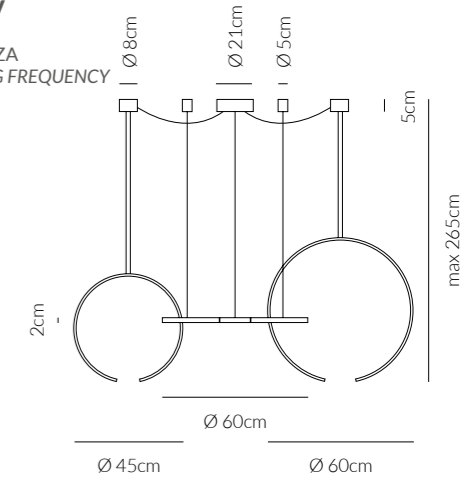
Sospensione  
Pendant lamp



**0074.36**  
CODICE EAN 8058776899900  
BIANCO/ WHITE

**0074.37**  
CODICE EAN 8058776899917  
NERO/SAND BLACK

KELVIN COLOUR TEMPERATURE <b>3.000 K</b>	ANGOLO BEAM ANGLE <b>120°</b>	VOLTAGGIO VOLTAGE <b>220-240V</b>
LUMEN <b>4.100 LM</b>	CRI <b>80</b>	FREQUENZA OPERATING FREQUENCY <b>50/60 HZ</b>
VATTAGGIO WATTAGE <b>75 W</b>	FATTORE DI POTENZA POWER FACTOR <b>&gt; 0.9</b>	
<b>NON DIMMERABILE NOT DIMMABLE</b>	<b>DRIVER INCLUSO DRIVER INCLUDED</b>	
GRADO DI PROTEZIONE IP RATING <b>IP20</b>	DURATA ORE LIFETIME HOURS <b>50.000</b>	
MATERIALE MATERIAL <b>ACCIAIO + ALLUMINIO + ACRILICO STEEL + ALUMINIUM + ACRYLIC</b>		



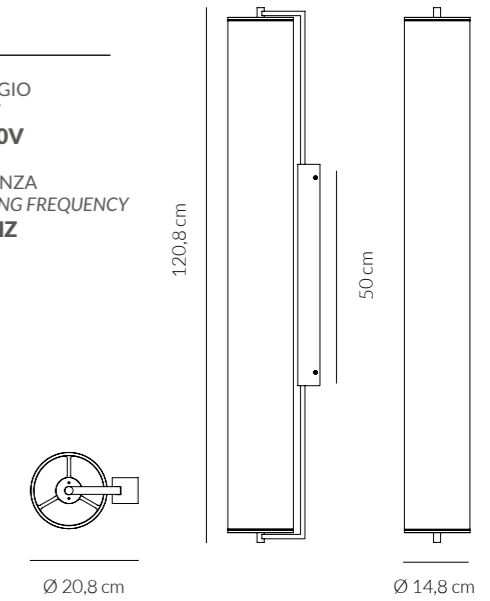
# LEMSTATION

Sospensione  
Pendant lamp



**0075.10.NE**  
CODICE EAN 8059606140223  
NERO/SAND BLACK

KELVIN COLOUR TEMPERATURE <b>3.000 K</b>	ANGOLO BEAM ANGLE <b>360°</b>	VOLTAGGIO VOLTAGE <b>220-240V</b>
LUMEN <b>1.012 LM</b>	CRI <b>80</b>	FREQUENZA OPERATING FREQUENCY <b>50/60 HZ</b>
VATTAGGIO WATTAGE <b>50 W</b>	FATTORE DI POTENZA POWER FACTOR <b>&gt; 0.9</b>	
<b>NON DIMMERABILE NOT DIMMABLE</b>	<b>DRIVER INCLUSO DRIVER INCLUDED</b>	
GRADO DI PROTEZIONE IP RATING <b>IP20</b>	DURATA ORE LIFETIME HOURS <b>30.000</b>	
MATERIALE MATERIAL <b>ALLUMINIO + VETRO ALUMINIUM + GLASS</b>		



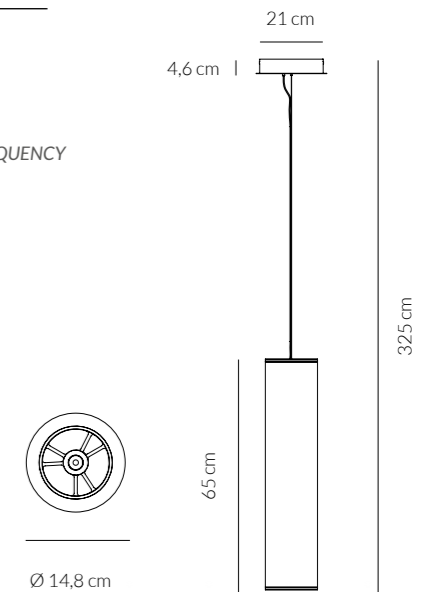
# LEMSTATION

Sospensione  
Pendant lamp



**0075.30.NE**  
CODICE EAN 8059606140193  
NERO/SAND BLACK

KELVIN COLOUR TEMPERATURE <b>3.000 K</b>	ANGOLO BEAM ANGLE <b>360°</b>	VOLTAGGIO VOLTAGE <b>90-250V</b>
LUMEN <b>825 LM</b>	CRI <b>80</b>	FREQUENZA OPERATING FREQUENCY <b>50/60 HZ</b>
VATTAGGIO WATTAGE <b>35 W</b>	FATTORE DI POTENZA POWER FACTOR <b>&gt; 0.9</b>	
<b>NON DIMMERABILE NOT DIMMABLE</b>	<b>DRIVER INCLUSO DRIVER INCLUDED</b>	
GRADO DI PROTEZIONE IP RATING <b>IP20</b>	DURATA ORE LIFETIME HOURS <b>30.000</b>	
MATERIALE MATERIAL <b>ALLUMINIO + VETRO ALUMINIUM + GLASS</b>		





# LEMSTATION

**0075.31.NE**  
 CODICE EAN 8059606140209  
 NERO/SAND BLACK

Sospensione  
 Pendant lamp



**KELVIN**  
 COLOUR TEMPERATURE  
**3.000 K**

**LUMEN**  
**1.076 LM**

**VATTAGGIO**  
 WATTAGE  
**50 W**

**NON DIMMERABILE**  
 NOT DIMMABLE

**GRADO DI PROTEZIONE**  
 IP RATING  
**IP20**

**MATERIALE**  
 MATERIAL  
**ALLUMINIO + VETRO**  
**ALUMINIUM + GLASS**

**ANGOLO**  
 BEAM ANGLE  
**360°**

**CRI**  
**80**

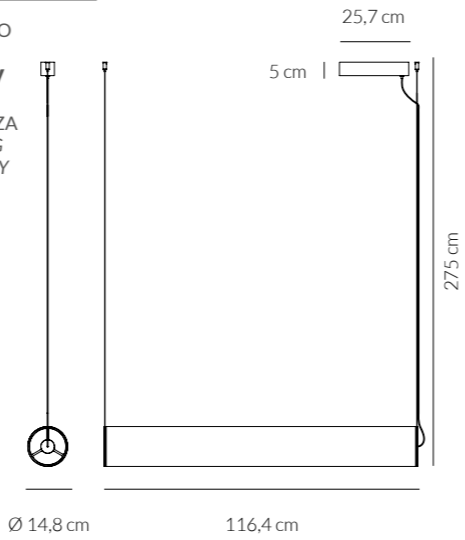
**FATTORE DI POTENZA**  
 POWER FACTOR  
**> 0.9**

**DRIVER INCLUSO**  
 DRIVER INCLUDED

**DURATA ORE**  
 LIFETIME HOURS  
**30.000**

**VOLTAGGIO**  
 VOLTAGE  
**220-240V**

**FREQUENZA**  
 OPERATING FREQUENCY  
**50/60 HZ**



# LEMSTATION

**0075.40.NE**  
 CODICE EAN 8059606140216  
 NERO/SAND BLACK

Lampada da tavolo  
 Table lamp



**KELVIN**  
 COLOUR TEMPERATURE  
**3.000 K**

**LUMEN**  
**300 LM**

**VATTAGGIO**  
 WATTAGE  
**18 W**

**NON DIMMERABILE**  
 NOT DIMMABLE

**GRADO DI PROTEZIONE**  
 IP RATING  
**IP20**

**MATERIALE**  
 MATERIAL  
**ALLUMINIO + VETRO**  
**ALUMINIUM + GLASS**

**ANGOLO**  
 BEAM ANGLE  
**360°**

**CRI**  
**80**

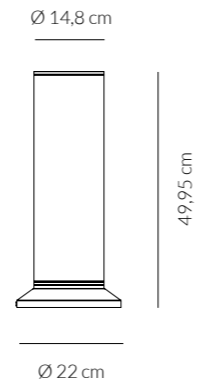
**FATTORE DI POTENZA**  
 POWER FACTOR  
**> 0.9**

**DRIVER INCLUSO**  
 DRIVER INCLUDED

**DURATA ORE**  
 LIFETIME HOURS  
**30.000**

**VOLTAGGIO**  
 VOLTAGE  
**100-240V**

**FREQUENZA**  
 OPERATING FREQUENCY  
**50/60 HZ**



# LEMSTATION

**0075.50.NE**  
 CODICE EAN 8059606140186  
 NERO/SAND BLACK

Lampada da terra  
 Floor lamp



**KELVIN**  
 COLOUR TEMPERATURE  
**3.000 K**

**LUMEN**  
**1.012 LM**

**VATTAGGIO**  
 WATTAGE  
**50 W**

**NON DIMMERABILE**  
 NOT DIMMABLE

**GRADO DI PROTEZIONE**  
 IP RATING  
**IP20**

**MATERIALE**  
 MATERIAL  
**ALLUMINIO + VETRO**  
**ALUMINIUM + GLASS**

**ANGOLO**  
 BEAM ANGLE  
**360°**

**CRI**  
**80**

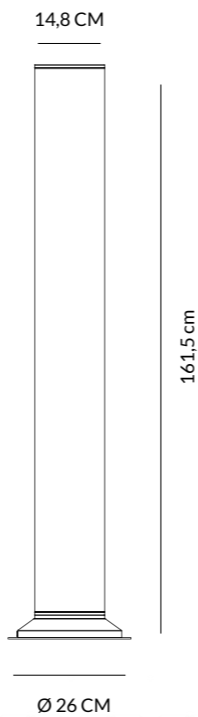
**FATTORE DI POTENZA**  
 POWER FACTOR  
**> 0.9**

**DRIVER INCLUSO**  
 DRIVER INCLUDED

**DURATA ORE**  
 LIFETIME HOURS  
**30.000**

**VOLTAGGIO**  
 VOLTAGE  
**220-240V**

**FREQUENZA**  
 OPERATING FREQUENCY  
**50/60 HZ**



# NEBULA

**0076.20.CR**  
 CODICE EAN 8059606140230  
 CROMO

Plafoniera  
 Ceiling lamp



**KELVIN**  
 COLOUR TEMPERATURE  
**3.000 K**

**LUMEN**  
**1.056 LM**

**VATTAGGIO**  
 WATTAGE  
**15 W**

**NON DIMMERABILE**  
 NOT DIMMABLE

**GRADO DI PROTEZIONE**  
 IP RATING  
**IP20**

**MATERIALE**  
 MATERIAL  
**ALLUMINIO + ACRILICO**  
**ALUMINIUM + ACRYLIC**

**ANGOLO**  
 BEAM ANGLE  
**135°**

**CRI**  
**80**

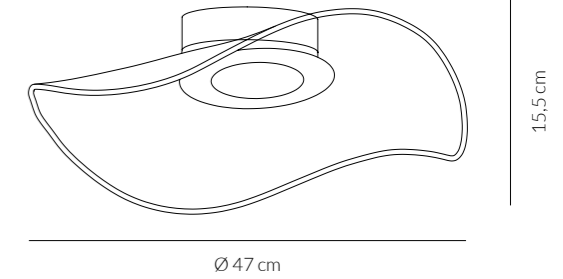
**FATTORE DI POTENZA**  
 POWER FACTOR  
**> 0.9**

**DRIVER INCLUSO**  
 DRIVER INCLUDED

**DURATA ORE**  
 LIFETIME HOURS  
**30.000**

**VOLTAGGIO**  
 VOLTAGE  
**220-240V**

**FREQUENZA**  
 OPERATING FREQUENCY  
**50/60 HZ**



# NEBULA

**0076.21.CR**  
 CODICE EAN 8059606140247  
 CROMO

Plafoniera  
 Ceiling lamp



**KELVIN**  
 COLOUR TEMPERATURE  
**3.000 K**

**LUMEN**  
**1.878 LM**

**VATTAGGIO**  
 WATTAGE  
**30 W**

**NON DIMMERABILE**  
 NOT DIMMABLE

**GRADO DI PROTEZIONE**  
 IP RATING  
**IP20**

**MATERIALE**  
 MATERIAL  
**ALLUMINIO + ACRILICO**  
**ALUMINIUM + ACRYLIC**

**ANGOLO**  
 BEAM ANGLE  
**135°**

**CRI**  
**80**

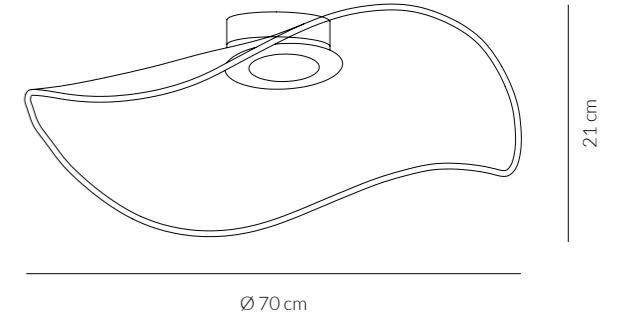
**FATTORE DI POTENZA**  
 POWER FACTOR  
**> 0.9**

**DRIVER INCLUSO**  
 DRIVER INCLUDED

**DURATA ORE**  
 LIFETIME HOURS  
**30.000**

**VOLTAGGIO**  
 VOLTAGE  
**220-240V**

**FREQUENZA**  
 OPERATING FREQUENCY  
**50/60 HZ**



# NEBULA

**0076.30.CR**  
 CODICE EAN 8059606140254  
 CROMO

Sospensione  
 Pendant lamp



**KELVIN**  
 COLOUR TEMPERATURE  
**3.000 K**

**LUMEN**  
**1.056 LM**

**VATTAGGIO**  
 WATTAGE  
**15 W**

**NON DIMMERABILE**  
 NOT DIMMABLE

**GRADO DI PROTEZIONE**  
 IP RATING  
**IP20**

**MATERIALE**  
 MATERIAL  
**ALLUMINIO + ACRILICO**  
**ALUMINIUM + ACRYLIC**

**ANGOLO**  
 BEAM ANGLE  
**135°**

**CRI**  
**80**

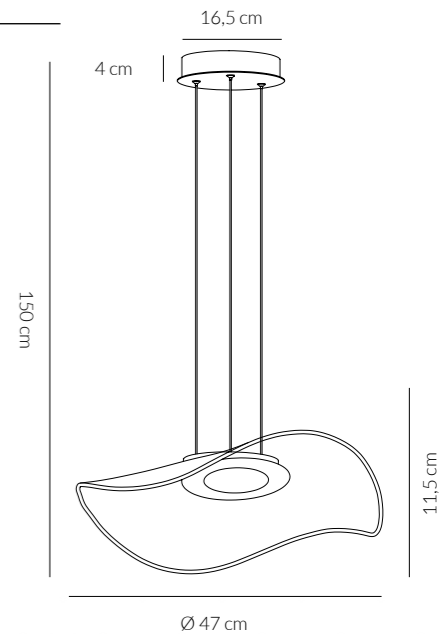
**FATTORE DI POTENZA**  
 POWER FACTOR  
**> 0.9**

**DRIVER INCLUSO**  
 DRIVER INCLUDED

**DURATA ORE**  
 LIFETIME HOURS  
**30.000**

**VOLTAGGIO**  
 VOLTAGE  
**220-240V**

**FREQUENZA**  
 OPERATING FREQUENCY  
**50/60 HZ**



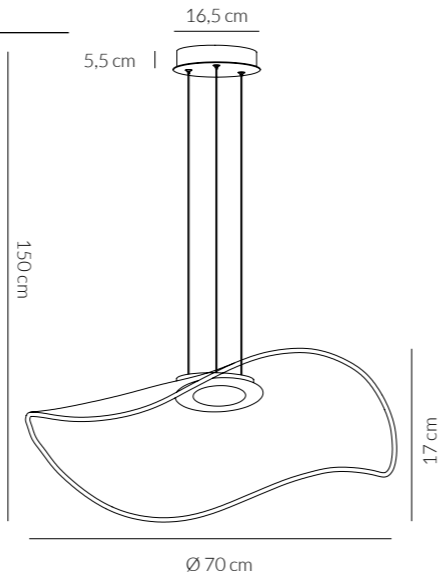
# NEBULA

Sospensione  
Pendant lamp



**0076.31.CR**  
CODICE EAN **8059606140261**  
**CROMO**

KELVIN COLOUR TEMPERATURE <b>3.000 K</b>	ANGOLO BEAM ANGLE <b>135°</b>	VOLTAGGIO VOLTAGE <b>220-240V</b>
LUMEN <b>1.878 LM</b>	CRI <b>80</b>	FREQUENZA OPERATING FREQUENCY <b>50/60 HZ</b>
VATTAGGIO WATTAGE <b>30 W</b>	FATTORE DI POTENZA POWER FACTOR <b>&gt; 0.9</b>	<b>NON DIMMERABILE NOT DIMMABLE</b>
GRADO DI PROTEZIONE IP RATING <b>IP20</b>	DURATA ORE LIFETIME HOURS <b>30.000</b>	<b>DRIVER INCLUSO DRIVER INCLUDED</b>
MATERIALE MATERIAL <b>ALLUMINIO + ACRILICO ALUMINIUM + ACRYLIC</b>		



# HOLLYAUDREY

Sospensione  
Pendant lamp

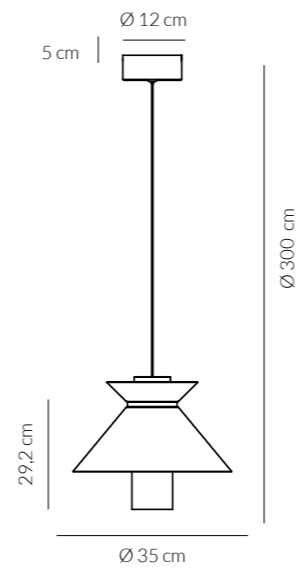


**0077.30.BI**  
CODICE EAN **8059606140278**  
**BIANCO/ WHITE**

**0077.30.NE**  
CODICE EAN **8059606140285**  
**NERO/SAND BLACK**

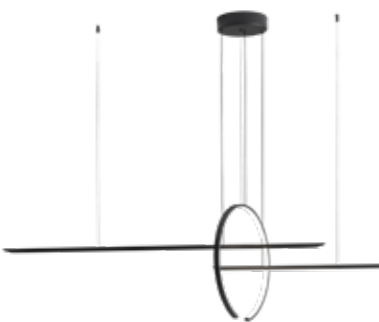
**0077.30.BRO**  
CODICE EAN **8059606140292**  
**MARRONE OSSIDATO/OXIDIZED BROWN**

KELVIN COLOUR TEMPERATURE <b>3.000 K</b>	ANGOLO BEAM ANGLE <b>23°-26°</b>	VOLTAGGIO VOLTAGE <b>220-240</b>
LUMEN <b>1.660 LM</b>	CRI <b>80</b>	FREQUENZA OPERATING FREQUENCY <b>50/60 HZ</b>
VATTAGGIO WATTAGE <b>30 W</b>	FATTORE DI POTENZA POWER FACTOR <b>&gt; 0.9</b>	<b>NON DIMMERABILE NOT DIMMABLE</b>
GRADO DI PROTEZIONE IP RATING <b>IP20</b>	DURATA ORE LIFETIME HOURS <b>30.000</b>	<b>DRIVER INCLUSO DRIVER INCLUDED</b>
MATERIALE MATERIAL <b>ALLUMINIO + ACRILICO ALUMINIUM + ACRYLIC</b>		



# IN&OUT

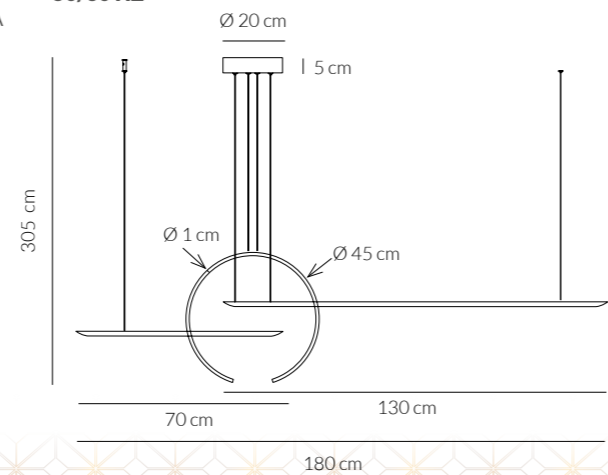
Sospensione  
Pendant lamp



**0078.30.BI**  
CODICE EAN **8059606141589**  
**BIANCO/ WHITE**

**0078.30.NE**  
CODICE EAN **8059606141596**  
**NERO/SAND BLACK**

KELVIN COLOUR TEMPERATURE <b>3.000 K</b>	ANGOLO BEAM ANGLE <b>180°</b>	VOLTAGGIO VOLTAGE <b>220-240V</b>
LUMEN <b>2.175 LM</b>	CRI <b>80</b>	FREQUENZA OPERATING FREQUENCY <b>50/60 HZ</b>
VATTAGGIO WATTAGE <b>52 W</b>	FATTORE DI POTENZA POWER FACTOR <b>&gt; 0.9</b>	<b>NON DIMMERABILE NOT DIMMABLE</b>
GRADO DI PROTEZIONE IP RATING <b>IP20</b>	DURATA ORE LIFETIME HOURS <b>30.000</b>	<b>DRIVER INCLUSO DRIVER INCLUDED</b>
MATERIALE MATERIAL <b>ACCIAIO + ALLUMINIO + ACRILICO STEEL + ALUMINIUM + ACRYLIC</b>		



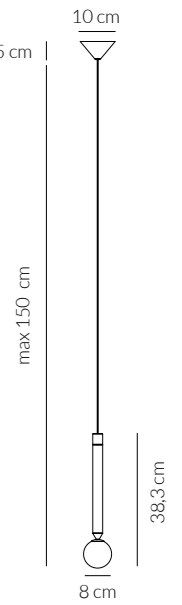
# SEVENTY 1

Sospensione  
Pendant lamp



**0080.30.BRL**  
CODICE EAN **8059606140339**  
**MARRONE OSSIDATO/OXIDIZED BROWN**

KELVIN COLOUR TEMPERATURE <b>3.000 K</b>	ANGOLO BEAM ANGLE <b>260°</b>	VOLTAGGIO VOLTAGE <b>220-240</b>
LUMEN <b>660 LM</b>	CRI <b>80</b>	FREQUENZA OPERATING FREQUENCY <b>50/60 HZ</b>
VATTAGGIO WATTAGE <b>1*2W+1*4 W</b>	FATTORE DI POTENZA POWER FACTOR <b>&gt; 0.5</b>	<b>NON DIMMERABILE NOT DIMMABLE</b>
GRADO DI PROTEZIONE IP RATING <b>IP20</b>	DURATA ORE LIFETIME HOURS <b>17.520</b>	<b>DRIVER INCLUSO DRIVER INCLUDED</b>
MATERIALE MATERIAL <b>ALLUMINIO + ACRILICO + VETRO ALUMINIUM + ACRYLIC + GLASS</b>		



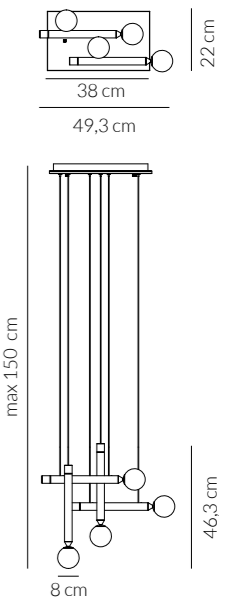
# SEVENTY 4

Sospensione  
Pendant lamp



**0080.31.BRL**  
CODICE EAN **8059606140346**  
**MARRONE OSSIDATO/OXIDIZED BROWN**

KELVIN COLOUR TEMPERATURE <b>3.000 K</b>	ANGOLO BEAM ANGLE <b>360°</b>	VOLTAGGIO VOLTAGE <b>220-240V</b>
LUMEN <b>2.640 LM</b>	CRI <b>80</b>	FREQUENZA OPERATING FREQUENCY <b>50/60 HZ</b>
VATTAGGIO WATTAGE <b>4*2W+4*4W</b>	FATTORE DI POTENZA POWER FACTOR <b>&gt; 0.9</b>	<b>NON DIMMERABILE NOT DIMMABLE</b>
GRADO DI PROTEZIONE IP RATING <b>IP20</b>	DURATA ORE LIFETIME HOURS <b>17.520</b>	<b>DRIVER INCLUSO DRIVER INCLUDED</b>
MATERIALE MATERIAL <b>ALLUMINIO + ACRILICO + VETRO ALUMINIUM + ACRYLIC + GLASS</b>		





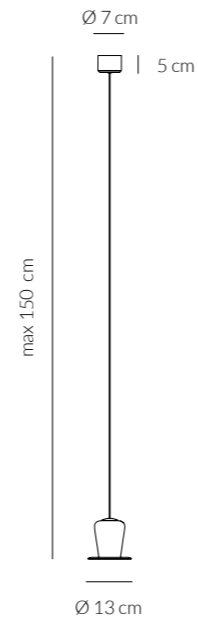
# MARYON

Sospensione  
Pendant lamp



**0081.30.BRL**  
CODICE EAN **8059606140353**  
**MARRONE OSSIDATO/OXIDIZED BROWN**

KELVIN COLOUR TEMPERATURE <b>3.000 K</b>	ANGOLO BEAM ANGLE <b>220°</b>	VOLTAGGIO VOLTAGE <b>220-240V</b>
LUMEN <b>220 LM</b>	CRI <b>80</b>	FREQUENZA OPERATING FREQUENCY <b>50 HZ</b>
VATTAGGIO WATTAGE <b>1*2W</b>	FATTORE DI POTENZA POWER FACTOR <b>&gt; 0.5</b>	
<b>NON DIMMERABILE NOT DIMMABLE</b>	<b>DRIVER INCLUSO DRIVER INCLUDED</b>	
GRADO DI PROTEZIONE IP RATING <b>IP20</b>	DURATA ORE LIFETIME HOURS <b>17.520</b>	
MATERIALE MATERIAL <b>ALLUMINIO + VETRO ALUMINIUM + GLASS</b>		



# COSMIT

Lampada da tavolo  
Table lamp

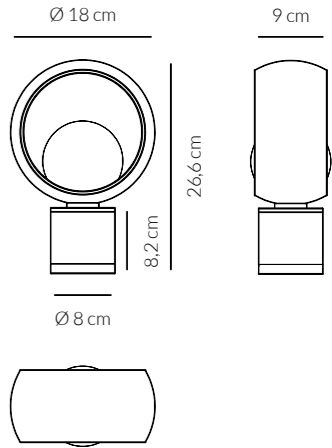


**0082.40.BI**  
CODICE EAN **8059606140384**  
**BIANCO/ WHITE**

**0082.40.NE**  
CODICE EAN **8059606140391**  
**NERO/ BLACK**

KELVIN COLOUR TEMPERATURE <b>3.000 K</b>	ANGOLO BEAM ANGLE <b>360°</b>
<b>LAMPADINA LED G9</b> (non inclusa)	CRI <b>&gt; 80</b>
<b>G9 LED BULB</b> (not included)	VOLTAGGIO VOLTAGE <b>220-240V</b>
VATTAGGIO WATTAGE <b>1 X 6 W</b>	FREQUENZA OPERATING FREQUENCY <b>50/60 HZ</b>
<b>NON DIMMERABILE NOT DIMMABLE</b>	MATERIALE MATERIAL <b>ALLUMINIO + VETRO ALUMINIUM + GLASS</b>
GRADO DI PROTEZIONE IP RATING <b>IP20</b>	

**0082.40.BRL**  
CODICE EAN **8059606140407**  
**MARRONE OSSIDATO  
OXIDIZED BROWN**



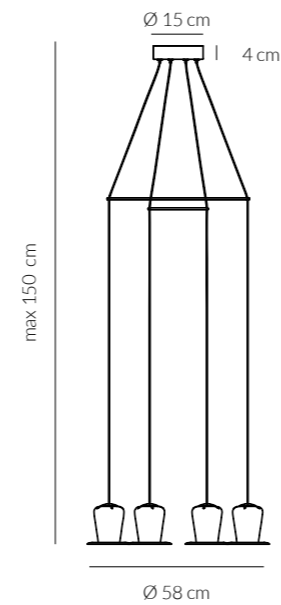
# MARYON

Sospensione  
Pendant lamp



**0081.31.BRL**  
CODICE EAN **8059606140360**  
**MARRONE OSSIDATO/OXIDIZED BROWN**

KELVIN COLOUR TEMPERATURE <b>3.000 K</b>	ANGOLO BEAM ANGLE <b>220°</b>	VOLTAGGIO VOLTAGE <b>220-240V</b>
LUMEN <b>880 LM</b>	CRI <b>80</b>	FREQUENZA OPERATING FREQUENCY <b>30/60 HZ</b>
VATTAGGIO WATTAGE <b>4*2W</b>	FATTORE DI POTENZA POWER FACTOR <b>&gt; 0.5</b>	
<b>NON DIMMERABILE NOT DIMMABLE</b>	<b>DRIVER INCLUSO DRIVER INCLUDED</b>	
GRADO DI PROTEZIONE IP RATING <b>IP20</b>	DURATA ORE LIFETIME HOURS <b>17.520</b>	
MATERIALE MATERIAL <b>ALLUMINIO + VETRO ALUMINIUM + GLASS</b>		



# COSMIT

Lampada da tavolo  
Table lamp

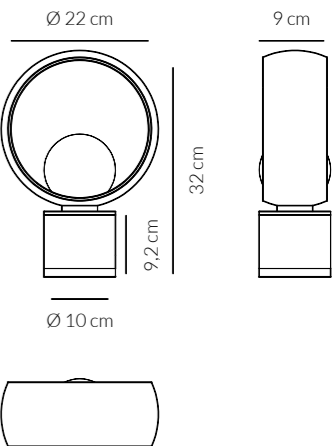


**0082.41.BI**  
CODICE EAN **8059606140414**  
**BIANCO/ WHITE**

**0082.41.NE**  
CODICE EAN **8059606140421**  
**NERO/ BLACK**

KELVIN COLOUR TEMPERATURE <b>3.000 K</b>	ANGOLO BEAM ANGLE <b>360°</b>
<b>LAMPADINA LED G9</b> (non inclusa)	CRI <b>&gt; 80</b>
<b>G9 LED BULB</b> (not included)	VOLTAGGIO VOLTAGE <b>220-240V</b>
VATTAGGIO WATTAGE <b>1 X 6 W</b>	FREQUENZA OPERATING FREQUENCY <b>50/60 HZ</b>
<b>NON DIMMERABILE NOT DIMMABLE</b>	MATERIALE MATERIAL <b>ALLUMINIO + VETRO ALUMINIUM + GLASS</b>
GRADO DI PROTEZIONE IP RATING <b>IP20</b>	

**0082.41.BRL**  
CODICE EAN **8059606140438**  
**MARRONE OSSIDATO  
OXIDIZED BROWN**



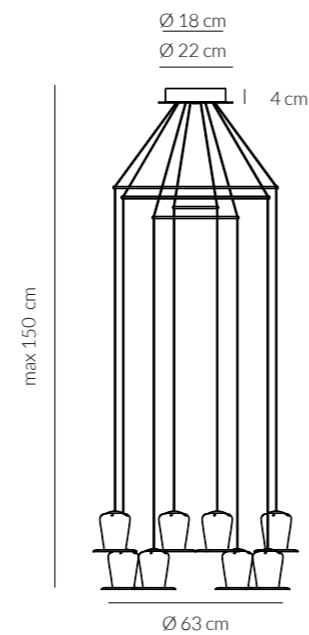
# MARYON

Sospensione  
Pendant lamp



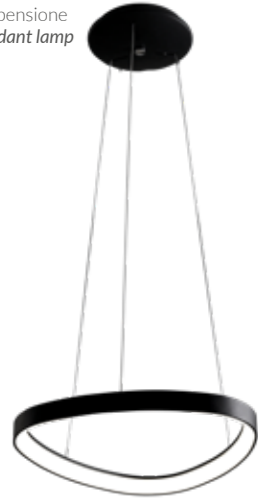
**0081.32.BRL**  
CODICE EAN **8059606140377**  
**MARRONE OSSIDATO/OXIDIZED BROWN**

KELVIN COLOUR TEMPERATURE <b>3.000 K</b>	ANGOLO BEAM ANGLE <b>220°</b>	VOLTAGGIO VOLTAGE <b>220-240V</b>
LUMEN <b>1.760 LM</b>	CRI <b>80</b>	FREQUENZA OPERATING FREQUENCY <b>50 HZ</b>
VATTAGGIO WATTAGE <b>8*2W</b>	FATTORE DI POTENZA POWER FACTOR <b>&gt; 0.9</b>	
<b>NON DIMMERABILE NOT DIMMABLE</b>	<b>DRIVER INCLUSO DRIVER INCLUDED</b>	
GRADO DI PROTEZIONE IP RATING <b>IP20</b>	DURATA ORE LIFETIME HOURS <b>17.520</b>	
MATERIALE MATERIAL <b>ALLUMINIO + VETRO ALUMINIUM + GLASS</b>		



# LIFERING

Sospensione  
Pendant lamp



**0083.30.BI**  
CODICE EAN 8059606141602  
BIANCO/ WHITE

KELVIN  
COLOUR TEMPERATURE  
**3.000 K**

LUMEN  
**2.880 LM**

VATTAGGIO  
WATTAGE  
**48 W**

**NON DIMMERABILE**  
**NOT DIMMABLE**

GRADO DI PROTEZIONE  
IP RATING  
**IP20**

MATERIALE  
MATERIAL  
**ALLUMINIO + METALLO + ACRILICO**  
**ALUMINIUM+METAL+ACRYLIC**

ANGOLO  
BEAM ANGLE  
**120°**

CRI  
**80**

FATTORE DI POTENZA  
POWER FACTOR  
**> 0.9**

**DRIVER INCLUSO**  
**DRIVER INCLUDED**

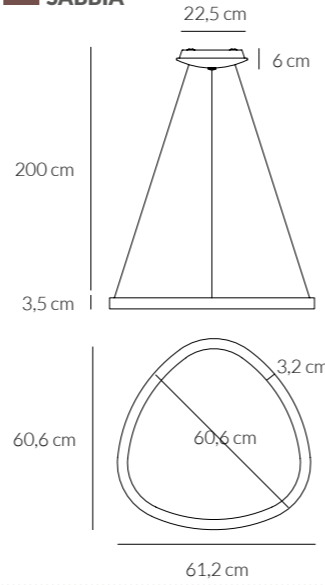
DURATA ORE  
LIFETIME HOURS  
**30.000**

**0083.30.NE**  
CODICE EAN 8059606141619  
NERO/ BLACK

VOLTAGGIO  
VOLTAGE  
**220-240V**

FREQUENZA  
OPERATING FREQUENCY  
**50/60 HZ**

**0083.30.SA**  
CODICE EAN 8059606141626  
SABBIA



# LIFERING

Sospensione  
Pendant lamp



**0083.31.BI**  
CODICE EAN 8059606141633  
BIANCO/ WHITE

KELVIN  
COLOUR TEMPERATURE  
**3.000 K**

LUMEN  
**3.600 LM**

VATTAGGIO  
WATTAGE  
**60 W**

**NON DIMMERABILE**  
**NOT DIMMABLE**

GRADO DI PROTEZIONE  
IP RATING  
**IP20**

MATERIALE  
MATERIAL  
**ALLUMINIO + METALLO + ACRILICO**  
**ALUMINIUM+METAL+ACRYLIC**

ANGOLO  
BEAM ANGLE  
**120°**

CRI  
**80**

FATTORE DI POTENZA  
POWER FACTOR  
**> 0.9**

**DRIVER INCLUSO**  
**DRIVER INCLUDED**

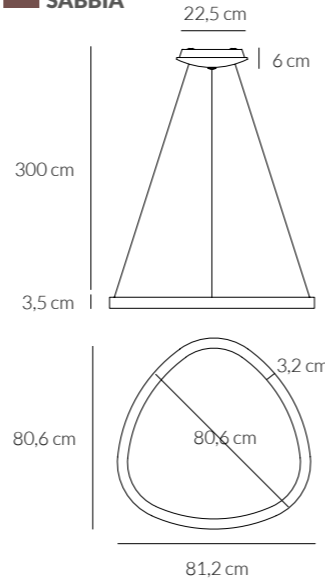
DURATA ORE  
LIFETIME HOURS  
**30.000**

**0083.31.NE**  
CODICE EAN 8059606141640  
NERO/ BLACK

VOLTAGGIO  
VOLTAGE  
**220-240V**

FREQUENZA  
OPERATING FREQUENCY  
**50/60 HZ**

**0083.31.SA**  
CODICE EAN 8059606141657  
SABBIA



# LIFERING

Plafoniera  
Ceiling lamp

Lampada a parete  
Wall lamp



**0083.20.BI**  
CODICE EAN 8059606141664  
BIANCO/ WHITE

KELVIN  
COLOUR TEMPERATURE  
**3.000 K**

LUMEN  
**2.660 LM**

VATTAGGIO  
WATTAGE  
**38 W**

**NON DIMMERABILE**  
**NOT DIMMABLE**

GRADO DI PROTEZIONE  
IP RATING  
**IP20**

MATERIALE  
MATERIAL  
**ALLUMINIO + METALLO + ACRILICO**  
**ALUMINIUM+METAL+ACRYLIC**

ANGOLO  
BEAM ANGLE  
**120°**

CRI  
**80**

FATTORE DI POTENZA  
POWER FACTOR  
**> 0.9**

**DRIVER INCLUSO**  
**DRIVER INCLUDED**

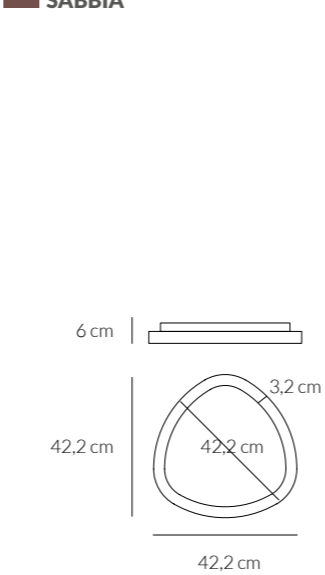
DURATA ORE  
LIFETIME HOURS  
**30.000**

**0083.20.NE**  
CODICE EAN 8059606141671  
NERO/ BLACK

VOLTAGGIO  
VOLTAGE  
**220-240V**

FREQUENZA  
OPERATING FREQUENCY  
**50/60 HZ**

**0083.20.SA**  
CODICE EAN 8059606141688  
SABBIA



# LIFERING

Plafoniera  
Ceiling lamp

Lampada a parete  
Wall lamp



**0083.21.BI**  
CODICE EAN 8059606141695  
BIANCO/ WHITE

KELVIN  
COLOUR TEMPERATURE  
**3.000 K**

LUMEN  
**3.360 LM**

VATTAGGIO  
WATTAGE  
**48 W**

**NON DIMMERABILE**  
**NOT DIMMABLE**

GRADO DI PROTEZIONE  
IP RATING  
**IP20**

MATERIALE  
MATERIAL  
**ALLUMINIO + METALLO + ACRILICO**  
**ALUMINIUM+METAL+ACRYLIC**

ANGOLO  
BEAM ANGLE  
**120°**

CRI  
**80**

FATTORE DI POTENZA  
POWER FACTOR  
**> 0.9**

**DRIVER INCLUSO**  
**DRIVER INCLUDED**

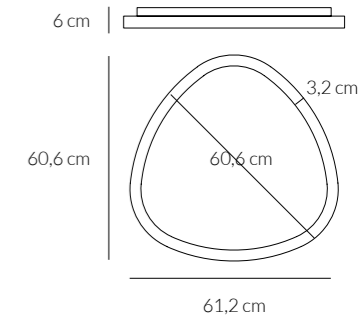
DURATA ORE  
LIFETIME HOURS  
**30.000**

**0083.21.NE**  
CODICE EAN 8059606141701  
NERO/ BLACK

VOLTAGGIO  
VOLTAGE  
**220-240V**

FREQUENZA  
OPERATING FREQUENCY  
**50/60 HZ**

**0083.21.SA**  
CODICE EAN 8059606141718  
SABBIA



# LIFERING

Plafoniera  
Ceiling lamp

Lampada a parete  
Wall lamp



**0083.22.BI**  
CODICE EAN 8059606141725  
BIANCO/ WHITE

KELVIN  
COLOUR TEMPERATURE  
**3.000 K**

LUMEN  
**4.200 LM**

VATTAGGIO  
WATTAGE  
**60 W**

**NON DIMMERABILE**  
**NOT DIMMABLE**

GRADO DI PROTEZIONE  
IP RATING  
**IP20**

MATERIALE  
MATERIAL  
**ALLUMINIO + METALLO + ACRILICO**  
**ALUMINIUM+METAL+ACRYLIC**

ANGOLO  
BEAM ANGLE  
**120°**

CRI  
**80**

FATTORE DI POTENZA  
POWER FACTOR  
**> 0.9**

**DRIVER INCLUSO**  
**DRIVER INCLUDED**

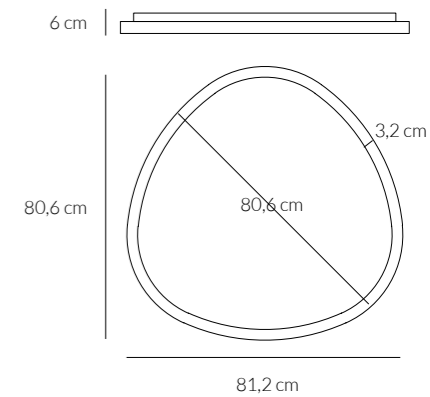
DURATA ORE  
LIFETIME HOURS  
**30.000**

**0083.22.NE**  
CODICE EAN 8059606141732  
NERO/ BLACK

VOLTAGGIO  
VOLTAGE  
**220-240V**

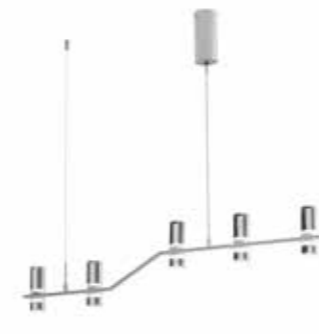
FREQUENZA  
OPERATING FREQUENCY  
**50/60 HZ**

**0083.22.SA**  
CODICE EAN 8059606141749  
SABBIA



# KINGFORT

Sospensione  
Pendant lamp



**0084.30.BI**  
CODICE EAN 8059606141756  
BIANCO/ WHITE

KELVIN  
COLOUR TEMPERATURE  
**3.000 K**

LUMEN  
**1.975 LM**

VATTAGGIO  
WATTAGE  
**5X4 W**

**NON DIMMERABILE**  
**NOT DIMMABLE**

GRADO DI PROTEZIONE  
IP RATING  
**IP20**

MATERIALE  
MATERIAL  
**FERRO+ACRILICO**  
**IRON+ACRYLIC**

ANGOLO  
BEAM ANGLE  
**360°**

CRI  
**80**

FATTORE DI POTENZA  
POWER FACTOR  
**> 0.9**

**DRIVER INCLUSO**  
**DRIVER INCLUDED**

DURATA ORE  
LIFETIME HOURS  
**20.000**

**0084.30.NE**  
CODICE EAN 8059606141763  
NERO/ BLACK

VOLTAGGIO  
VOLTAGE  
**220-240V**

FREQUENZA  
OPERATING FREQUENCY  
**50/60 HZ**

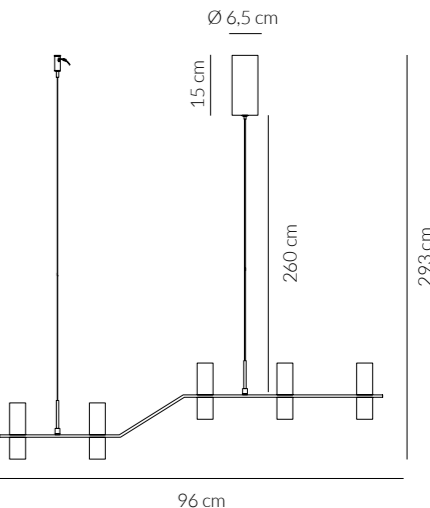
24 cm

10.3 cm

15 cm

260 cm

96 cm





# KINGFORT

Sospensione  
Pendant lamp



**0085.30.BI**  
CODICE EAN 8059606141770  
BIANCO/WHITE

**0085.30.NE**  
CODICE EAN 8059606141787  
NERO/BLACK

KELVIN  
COLOUR TEMPERATURE  
**3.000 K**

LUMEN  
**2.750 LM**

VATTAGGIO  
WATTAGE  
**8X4 W**

**NON DIMMERABILE**  
**NOT DIMMABLE**

GRADO DI PROTEZIONE  
IP RATING  
**IP20**

MATERIALE  
MATERIAL  
**FERRO+ACRILICO**  
**IRON+ACRYLIC**

ANGOLO  
BEAM ANGLE  
**360°**

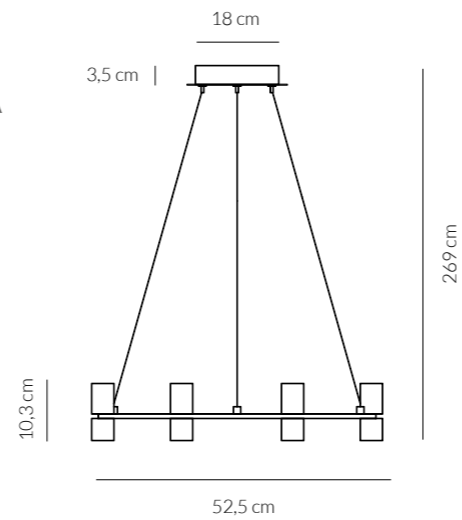
CRI  
**≥ 80**

FATTORE DI POTENZA  
POWER FACTOR  
**> 0.9**

**DRIVER INCLUSO**  
**DRIVER INCLUDED**

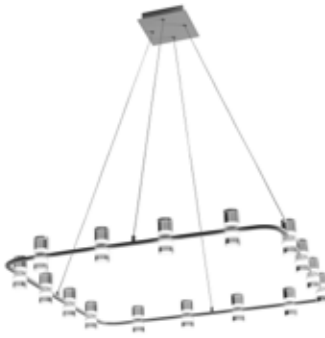
DURATA ORE  
LIFETIME HOURS  
**20.000**

FREQUENZA  
OPERATING  
FREQUENCY  
**50/60 HZ**



# KINGFORT

Sospensione  
Pendant lamp



**0085.31.BI**  
CODICE EAN 8059606142456  
BIANCO/WHITE

**0085.31.NE**  
CODICE EAN 8059606142463  
NERO/BLACK

KELVIN  
COLOUR TEMPERATURE  
**3.000 K**

LUMEN  
**5.630 LM**

VATTAGGIO  
WATTAGE  
**16X4 W**

**NON DIMMERABILE**  
**NOT DIMMABLE**

GRADO DI PROTEZIONE  
IP RATING  
**IP20**

MATERIALE  
MATERIAL  
**FERRO+ACRILICO**  
**IRON+ACRYLIC**

ANGOLO  
BEAM ANGLE  
**360°**

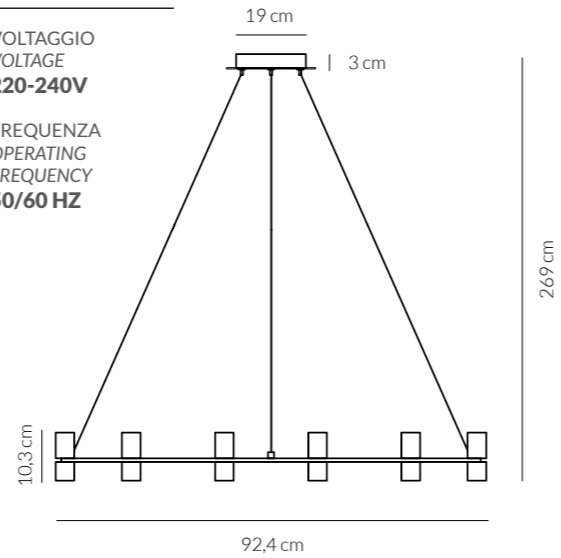
CRI  
**≥ 80**

FATTORE DI POTENZA  
POWER FACTOR  
**> 0.9**

**DRIVER INCLUSO**  
**DRIVER INCLUDED**

DURATA ORE  
LIFETIME HOURS  
**20.000**

FREQUENZA  
OPERATING  
FREQUENCY  
**50/60 HZ**



# LIGHT LINE

Sospensione  
Pendant lamp



**0086.30.CR DIM**  
CODICE EAN 8059606140650  
CROMO

KELVIN  
COLOUR TEMPERATURE  
**3.000 K**

LUMEN  
**2.600 LM**

VATTAGGIO  
WATTAGE  
**30 W**

**DIMMERABILE**  
**DIMMABLE**

GRADO DI PROTEZIONE  
IP RATING  
**IP20**

MATERIALE  
MATERIAL  
**METALLO+ACRILICO**  
**METAL+ACRYLIC**

ANGOLO  
BEAM ANGLE  
**360°**

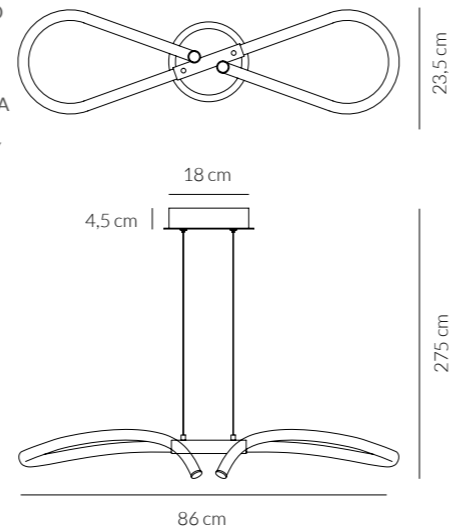
CRI  
**≥ 80**

FATTORE DI POTENZA  
POWER FACTOR  
**> 0.9**

**DRIVER INCLUSO**  
**DRIVER INCLUDED**

DURATA ORE  
LIFETIME HOURS  
**20.000**

FREQUENZA  
OPERATING  
FREQUENCY  
**50/60 HZ**



# LIGHT LINE

Plafoniera  
Ceiling lamp



**0087.20.CR DIM**  
CODICE EAN 8059606140667  
CROMO

KELVIN  
COLOUR TEMPERATURE  
**3.000 K**

LUMEN  
**1.800 LM**

VATTAGGIO  
WATTAGE  
**21 W**

**DIMMERABILE**  
**DIMMABLE**

GRADO DI PROTEZIONE  
IP RATING  
**IP20**

MATERIALE  
MATERIAL  
**METALLO+ACRILICO**  
**METAL+ACRYLIC**

ANGOLO  
BEAM ANGLE  
**360°**

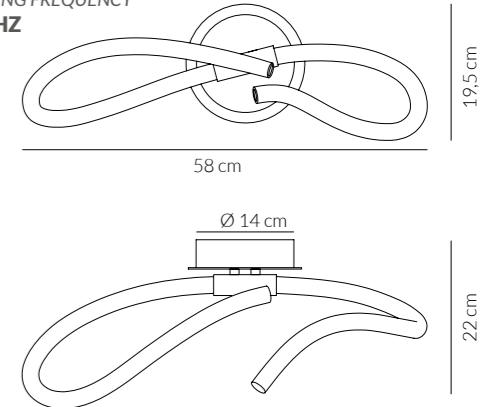
CRI  
**≥ 80**

FATTORE DI POTENZA  
POWER FACTOR  
**> 0.9**

**DRIVER INCLUSO**  
**DRIVER INCLUDED**

DURATA ORE  
LIFETIME HOURS  
**20.000**

FREQUENZA  
OPERATING  
FREQUENCY  
**50/60 HZ**



# LIGHT LINE

Lampada da terra  
Floor lamp



**0088.50.CR DIM**  
CODICE EAN 8059606140674  
CROMO

KELVIN  
COLOUR TEMPERATURE  
**3.000 K**

LUMEN  
**2.000 LM**

VATTAGGIO  
WATTAGE  
**20.5 W**

**DIMMERABILE**  
**DIMMABLE**

GRADO DI PROTEZIONE  
IP RATING  
**IP20**

MATERIALE  
MATERIAL  
**METALLO+ACRILICO**  
**METAL+ACRYLIC**

ANGOLO  
BEAM ANGLE  
**360°**

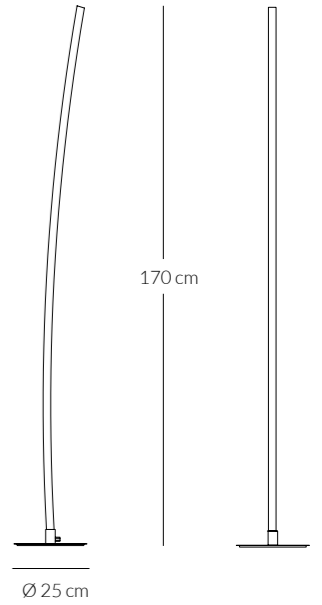
CRI  
**≥ 80**

FATTORE DI POTENZA  
POWER FACTOR  
**> 0.5**

**DRIVER INCLUSO**  
**DRIVER INCLUDED**

DURATA ORE  
LIFETIME HOURS  
**20.000**

FREQUENZA  
OPERATING  
FREQUENCY  
**50/60 HZ**



# LIGHT LINE

Lampada da tavolo  
Table lamp



**0089.40.CR DIM**  
CODICE EAN 8059606140681  
CROMO

KELVIN  
COLOUR TEMPERATURE  
**3.000 K**

LUMEN  
**840 LM**

VATTAGGIO  
WATTAGE  
**12 W**

**3 LIVELLI DIMMERABILE**  
**3 LEVELS DIMMABLE**

GRADO DI PROTEZIONE  
IP RATING  
**IP20**

MATERIALE  
MATERIAL  
**METALLO+ACRILICO**  
**METAL+ACRYLIC**

ANGOLO  
BEAM ANGLE  
**360°**

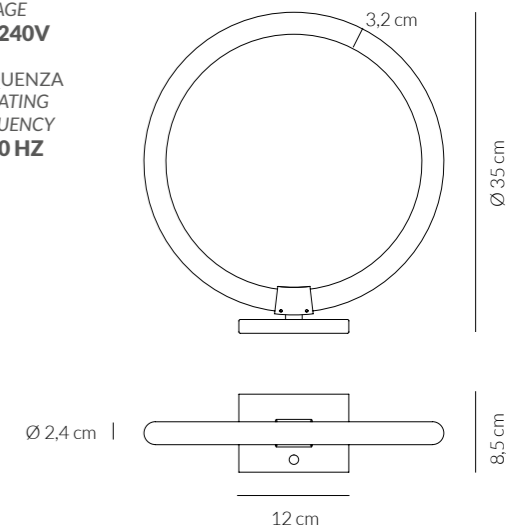
CRI  
**≥ 80**

FATTORE DI POTENZA  
POWER FACTOR  
**> 0.5**

**DRIVER INCLUSO**  
**DRIVER INCLUDED**

DURATA ORE  
LIFETIME HOURS  
**20.000**

FREQUENZA  
OPERATING  
FREQUENCY  
**50/60 HZ**



# LIGHT LINE

Lampada a parete  
Wall lamp



**0090.20.CR**  
CODICE EAN 8059606140698  
**CROMO**

**KELVIN COLOUR TEMPERATURE**  
3.000 K

**ANGOLO BEAM ANGLE**  
360°

**VOLTAGGIO VOLTAGE**  
220-240V

**LUMEN**  
700 LM

**CRI**  
≥ 80

**FREQUENZA OPERATING FREQUENCY**  
50/60 HZ

**VATTAGGIO WATTAGE**  
8 W

**FATTORE DI POTENZA POWER FACTOR**  
> 0.5

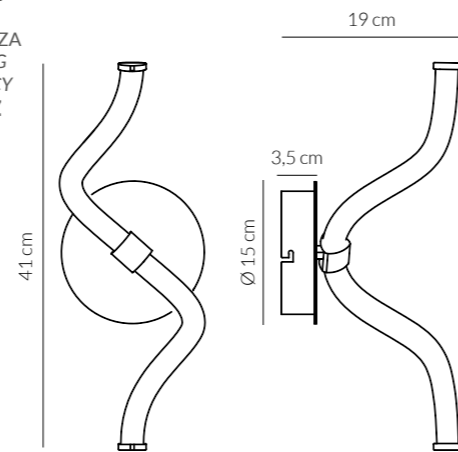
**NON DIMMERABILE NOT DIMMABLE**

**DRIVER INCLUSO DRIVER INCLUDED**

**GRADO DI PROTEZIONE IP RATING**  
IP20

**DURATA ORE LIFETIME HOURS**  
20.000

**MATERIALE MATERIAL**  
METALLO+ACRILICO  
METAL+ACRYLIC



# LIGHT LINE

Lampada a parete  
Wall lamp



**0091.20.CR DIM**  
CODICE EAN 8059606140704  
**CROMO**

**KELVIN COLOUR TEMPERATURE**  
3.000 K

**ANGOLO BEAM ANGLE**  
360°

**VOLTAGGIO VOLTAGE**  
220-240V

**LUMEN**  
1.200 LM

**CRI**  
≥ 80

**FREQUENZA OPERATING FREQUENCY**  
50/60 HZ

**VATTAGGIO WATTAGE**  
12 W

**FATTORE DI POTENZA POWER FACTOR**  
> 0.9

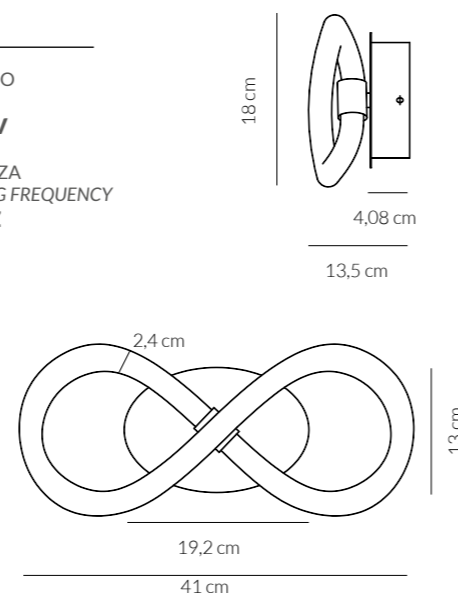
**DIMMERABILE DIMMABLE**

**DRIVER INCLUSO DRIVER INCLUDED**

**GRADO DI PROTEZIONE IP RATING**  
IP20

**DURATA ORE LIFETIME HOURS**  
20.000

**MATERIALE MATERIAL**  
METALLO+ACRILICO  
METAL+ACRYLIC



# LIGHT LINE

Lampada a parete  
Wall lamp



**0091.21.CR DIM**  
CODICE EAN 8059606140711  
**CROMO**

**KELVIN COLOUR TEMPERATURE**  
3.000 K

**ANGOLO BEAM ANGLE**  
360°

**VOLTAGGIO VOLTAGE**  
220-240V

**LUMEN**  
2.500 LM

**CRI**  
≥ 80

**FREQUENZA OPERATING FREQUENCY**  
50/60 HZ

**VATTAGGIO WATTAGE**  
30 W

**FATTORE DI POTENZA POWER FACTOR**  
> 0.9

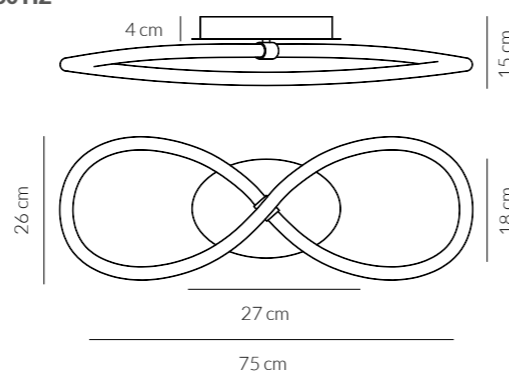
**DIMMERABILE DIMMABLE**

**DRIVER INCLUSO DRIVER INCLUDED**

**GRADO DI PROTEZIONE IP RATING**  
IP20

**DURATA ORE LIFETIME HOURS**  
20.000

**MATERIALE MATERIAL**  
METALLO+ACRILICO  
METAL+ACRYLIC



# LIGHT LINE

Lampada da terra  
Floor lamp



**0092.50.CR DIM**  
CODICE EAN 8059606140728  
**CROMO**

**KELVIN COLOUR TEMPERATURE**  
3.000 K

**ANGOLO BEAM ANGLE**  
360°

**VOLTAGGIO VOLTAGE**  
220-240V

**LUMEN**  
4.000 LM

**CRI**  
≥ 80

**FREQUENZA OPERATING FREQUENCY**  
50/60 HZ

**VATTAGGIO WATTAGE**  
38 W

**FATTORE DI POTENZA POWER FACTOR**  
> 0.9

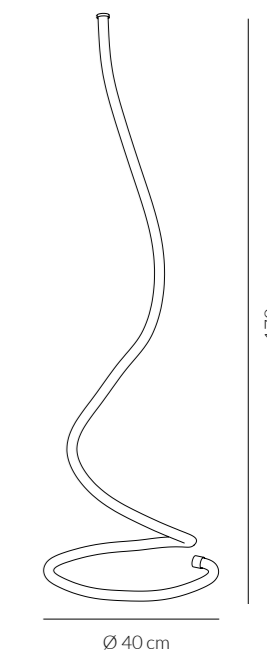
**DIMMERABILE DIMMABLE**

**DRIVER INCLUSO DRIVER INCLUDED**

**GRADO DI PROTEZIONE IP RATING**  
IP20

**DURATA ORE LIFETIME HOURS**  
20.000

**MATERIALE MATERIAL**  
METALLO+ACRILICO  
METAL+ACRYLIC



# LIGHT LINE

Sospensione  
Pendant lamp



**0093.30.CR DIM**  
CODICE EAN 8059606140735  
**CROMO**

**KELVIN COLOUR TEMPERATURE**  
3.000 K

**ANGOLO BEAM ANGLE**  
360°

**VOLTAGGIO VOLTAGE**  
220-240V

**LUMEN**  
1.900 LM

**CRI**  
≥ 80

**FREQUENZA OPERATING FREQUENCY**  
50/60 HZ

**VATTAGGIO WATTAGE**  
21 W

**FATTORE DI POTENZA POWER FACTOR**  
> 0.9

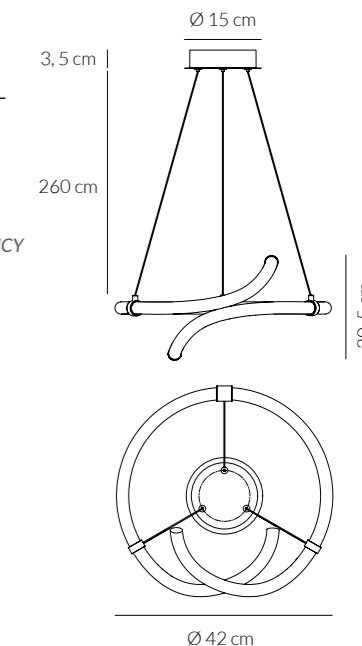
**DIMMERABILE DIMMABLE**

**DRIVER INCLUSO DRIVER INCLUDED**

**GRADO DI PROTEZIONE IP RATING**  
IP20

**DURATA ORE LIFETIME HOURS**  
20.000

**MATERIALE MATERIAL**  
METALLO+ACRILICO  
METAL+ACRYLIC



# LIGHT LINE

Sospensione  
Pendant lamp



**0093.31.CR DIM**  
CODICE EAN 8059606140742  
**CROMO**

**KELVIN COLOUR TEMPERATURE**  
3.000 K

**ANGOLO BEAM ANGLE**  
360°

**VOLTAGGIO VOLTAGE**  
220-240V

**LUMEN**  
3.000 LM

**CRI**  
≥ 80

**FREQUENZA OPERATING FREQUENCY**  
50/60 HZ

**VATTAGGIO WATTAGE**  
37 W

**FATTORE DI POTENZA POWER FACTOR**  
> 0.9

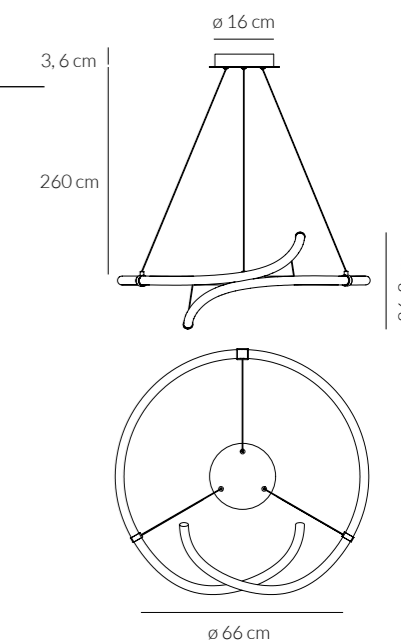
**DIMMERABILE DIMMABLE**

**DRIVER INCLUSO DRIVER INCLUDED**

**GRADO DI PROTEZIONE IP RATING**  
IP20

**DURATA ORE LIFETIME HOURS**  
20.000

**MATERIALE MATERIAL**  
METALLO+ACRILICO  
METAL+ACRYLIC





Plafoniera  
 Ceiling lamp

Lampada a parete  
 Wall lamp



KELVIN  
 COLOUR TEMPERATURE  
**3.000 K**

LUMEN  
**2.900 LM**

VATTAGGIO  
 WATTAGE  
**32 W**

**DIMMERABILE  
 DIMMABLE**

GRADO DI PROTEZIONE  
 IP RATING  
**IP20**

MATERIALE  
 MATERIAL  
**METALLO+ACRILICO  
 METAL+ACRYLIC**

ANGOLO  
 BEAM ANGLE  
**360°**

CRI  
**≥ 80**

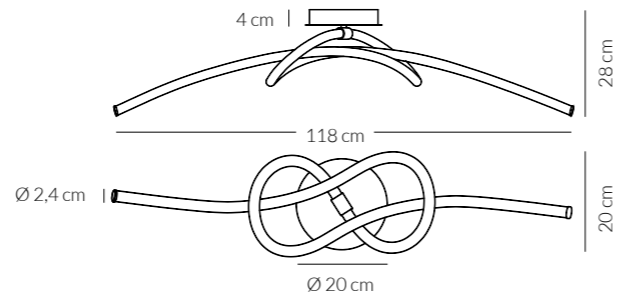
FATTORE DI POTENZA  
 POWER FACTOR  
**> 0.9**

**DRIVER INCLUSO  
 DRIVER INCLUDED**

DURATA ORE  
 LIFETIME HOURS  
**20.000**

VOLTAGGIO  
 VOLTAGE  
**220-240V**

FREQUENZA  
 OPERATING FREQUENCY  
**50/60 HZ**



Note





Concept & Graphic Design



**Zuzanna Niespor** Brand Design  
**Annamaria Guerra** Graphic Design

[www.agraphic.design](http://www.agraphic.design)

Stampa Lithos Arti grafiche villa Verucchio (Rimini)

Ph Studio fotografico Candiotti 1925

Uno speciale ringraziamento a GUIDI ARREDA  
per lo stupendo shooting fotografico.

Special thanks go to GUIDI ARREDA  
for the amazing shooting in their showroom.

**GUIDI**  
**ARREDA**

Strada Alvania, 57  
47891 Dogana (R.S.M.)  
Telefono 0549 90 53 54  
Mobile +39 35 1 607 0105  
[www.guidiarreda.com](http://www.guidiarreda.com)  
[vendite@guidiarreda.com](mailto:vendite@guidiarreda.com)



Materiale pubblicitario non destinato alla vendita  
stampato nel mese di OTTOBRE 2020





VIVIDA INTERNATIONAL SRL  
Società a Socio Unico

VIA TURA DAL FIUME, 7  
478 92 GUALDICCIOLO  
REP. SAN MARINO  
COE SM 26498

T +378 0549 911 438

INFO@VIVIDAINTERNATIONAL.SM  
VIVIDAINTERNATIONAL.SM

LUXURY \_ LIGHT AND DESIGN 2021